

Breakers and Switches

Switches for PV applications Switch-disconnectors OTDC, OT and OTDCP

Switch-disconnectors OTDC16...250, OT315...630 and OTDCP16...32

Contents

4	Product overview
8	Technical data
10	Ordering information
10	Front operated switch-disconnectors
14	Plastic enclosed switch-disconnectors
15	Ordering information, accessories
24	Dimension drawings
28	Index

Switch-disconnectors up to 1000 VDC

Switch-disconnectors



OTDC16F2
OTDC25F2
OTDC32F2

OTDC16F3
OTDC25F3
OTDC32F3

OTDC16F4
OTDC25F4
OTDC32F4

U_e [V DC]

660

1000

1000 / 2x660

I_e DC-21B [A]

16 25 32

16 25 32

16 25 32



OT315E23P

OT400E23P

U_e [V DC]

800

I_e DC-21B [A]

315 400

Enclosed switch-disconnectors



OTDCP16SA11M
OTDCP25SA11M
OTDCP32SA11M

OTDCP16S11M
OTDCP25S11M
OTDCP32S11M

U_e [V DC]

660

660

I_e DC-21B [A]

16 25 32

16 25 32

Accessories

Optional handles

Extended shafts

Auxiliary contacts



**UL-types
UL98B**



OTDC100E02
OTDC160E02
OTDC200E02
OTDC250E02

OTDC100U02

OTDC100US02

OTDC100U11

OTDC100US11

OTDC200U02

OTDC200US02

OTDC200U11

OTDC200US11

1000

100 160 200 250

U_e [V DC]

1000

Rated current [A] 100 200

1000

100 200

1000

100 200

1000

100 200



OT315E33P
OT400E33P

OT630E23P

OT630E33P

1000

315 400

800

630

1000

630



OTDCP16SA21M
OTDCP25SA21M
OTDCP32SA21M

OTDCP16S21M
OTDCP25S21M
OTDCP32S21M

OTDCP16SA22M
OTDCP25SA22M
OTDCP32SA22M

OTDCP16S22M
OTDCP25S22M
OTDCP32S22M

1000

16 25 32

1000

16 25 32

1000 / 2x660

16 25 32

1000 / 2x660

16 25 32

Switches for photovoltaic applications Up to 1000 VDC



ABB's switch offering for PV applications

The switch offering includes switch-disconnectors designed for photovoltaic applications. Switch-disconnectors are typically used to isolate individual strings or arrays of solar panels and battery banks. They can also be used as the main switch for the whole photovoltaic system.

ABB's switches are compact in size, have high DC voltage ratings and unique safety features. The range goes from 16 to 630 Amperes.

OTDC16...32 Amperes

OTDC from 16...32 Amperes have various DC voltage ratings within the same footprint area. Thanks to its modular design the rated operational voltage can be scaled according to your needs, up to 1000 V.

- ▶ Reliable PV systems at a wide voltage range

OTDC switch-disconnectors can be DIN rail or screw mounted. Tunnel terminals capture fine stranded wires and

they are wide enough to allow wires up to 16 mm². Short-circuit bars are pre-installed as standard.

- ▶ Simple and fast installation

OTDC16...32 is also available in a plastic enclosure, suitable for outdoor use. Enclosed OTDCP is made of material resistant to UV light and water exposure. The enclosure

has a high degree of protection, IP65. Cover interlock and padlockable handle ensure safe usage.

OTDC...32 switches, with or without enclosure, meet the standard's thermal requirements, even in exceptionally high operating ambient temperatures. The power losses are very low, minimizing the waste of energy.

- ▶ Suitable for warm locations
- ▶ Maximum energy efficiency of PV systems

OTDC100...250 Amperes

OTDC switches from 100...250 Amperes are the only 2-pole solution in the market with an operational voltage of 1000 VDC. This is possible thanks to carefully optimized arc plates and dual magnetic breaking.

- ▶ Breaking power optimized across the entire current range

As a result of a symmetric design, the connections are independent of polarity. The switch works in both ways.

- ▶ Simplicity in installation

OTDC is the only DC switch in the market that has visible contacts. The operation of the switch is not vulnerable to voltage peaks and it is independent of the user (quick make-quick brake).

- ▶ Safe and reliable operation

ABB offers a whole range of products dedicated to photovoltaic applications, able to fulfill all installation requirements: from the strings on the direct current side to the grid connection point on the alternate current side.



Technical data

OTDC16...250, OT315...630 and OTDCP16...32

Technical data according to IEC 60947 for switch-disconnectors OTDC and OT

Switch size		A
Rated insulation voltage U_i	Pollution degree 2	V
	Pollution degree 3	V
Dielectric strength	50 Hz 1 min	kV
Rated impulse withstand voltage		kV
Rated thermal current I_{th}	In open air, normal conditions ²⁾	A
	In enclosure 40°C	A
	In enclosure 60°C	A
... with minimum cable or bar cross section	Cu	mm ²
Rated operational current / poles in series DC-21B	500 V	A
	550 V	
	660 V	A
	800 V	
	1000 V	A
Rated short-time withstand current, 1000 V, 1 s	1000 V / 2x660 V ³⁾	A
	R.M.S. -value I_{sw}	kA
Rated short circuit making capacity, 1000 V	Peak value I_{cm}	kA
	Max. distance from switch frame to nearest busbar / cable support	mm
Power loss / pole	At rated current	W
Cable size	Cu	mm ²
Terminal bolt size	Metric thread diameter × length	mm
Terminal tightening torque	Counter torque required	Nm

¹⁾ When used with external handle. For use with direct mounted handle, see installation instructions for restrictions

²⁾ Normal conditions defined in IEC 60947-1-6.1

³⁾ 1000 V with all the poles connected in series, 600 V with 2 poles in series

Technical data in accordance to UL98B for switch-disconnectors OTDC100 and OTDC200

Suitable For Use in Photovoltaic Systems in Accordance With Article 690 of the NEC.

Switch size		OTDC100	OTDC200
Voltage rating	VDC	1000	1000
Current rating	A	100	200
Rated ambient temperature	°C	-20...+50	-20...+50
Short circuit rating at 1000 VDC	kA	5	5
	Class of fuse	Circuit breaker	Circuit breaker
Mechanical endurance	Divide by two for operation cycles	Oper. 4000	4000
Wire range	MCM	#4-300	#4-300

OTDC16	OTDC25	OTDC32	OTDC100	OTDC160	OTDC200	OTDC250	OT315	OT400	OT630
1250 ¹⁾	1250 ¹⁾	1250 ¹⁾	1500	1500	1500	1500	1 000	1 000	1 000
1000 ¹⁾	1000 ¹⁾	1000 ¹⁾	1500	1500	1500	1500	1 000	1 000	1 000
6	6	6					10	10	10
8	8	8	12	12	12	12	12	12	12
25	32	45	100	160	200	250	315	400	630
25	32	45	100	160	200	250	315	400	630
25	32	32	80	125	160	200	280	320	500
4	6	10	35	70	95	120	185	240	2x185
			100/1	160/1	200/1	250/1			
							315/4	400/4	600/4
16/2	25/2	32/2							
							315/5	400/5	600/5
16/3	25/3	32/3	100/2	160/2	200/2	250/2	315/6	400/6	600/6
16/4	25/4	32/4							
0.4	0.6	0.8	5	5	5	5	15	15	20
			5	5	5	5			
			150	150	150	150			
0.15	0.3	0.5	2	4	6	9.5	6.5	10	25
2.5...16	2.5...16	2.5...16							
			M8x25	M8x25	M8x25	M8x25	M10x30	M10x30	M12x40
			15-22	15-22	15-22	15-22	30-44	30-44	50-75

Technical data according to IEC 60947 for enclosed switch-disconnectors OTDCP

Switch size		A	OTDCP16	OTDCP25	OTDCP32
Rated insulation voltage	Pollution degree 2	V	1250	1250	1250
	Pollution degree 3	V	1000	1000	1000
Dielectric strength	50 Hz 1 min	kV	6	6	6
Rated impulse withstand voltage		kV	8	8	8
Rated thermal current I _{th}	DC-20				
	In enclosure 40°C	A	25	32	45
	In enclosure 60°C	A	25	32	32
Rated operational current / poles in series	DC-21B				
	660 V	A	16/2	25/2	32/2
	1000 V	A	16/3	25/3	32/3
	1000 V / 2x660 V ⁴⁾	A	16/4	25/4	32/4
Rated short-time withstand current, 1000 V, 1 s	R.M.S. -value I _{sw}	kA	0.4	0.6	0.8
Power loss / pole	At rated current	W	0.15	0.3	0.5

⁴⁾ 1000 V with all the poles connected in series, 600 V with 2 poles in series

Ordering information

Front operated switch-disconnectors

OTDC16...32F2



OTDC16...32F3



OTDC16...32F4



Switch-disconnectors OTDC_, base or DIN-rail mounting

Types OTDC16...32 include protected terminal clamps, IP20. Shafts and handles need to be ordered separately. The type and the ordering numbers are for one piece.

Up to 660 VDC

Number of poles	I_{th} (open) [A]	Rated operat. current [A]	DC 21B / 660 V	Type	Order number	Delivery Weight/	
						batch [pcs]	unit [kg]
2	25	16		OTDC16F2	1SCA121454R1001	10	0.15
2	32	25		OTDC25F2	1SCA121455R1001	10	0.15
2	45	32		OTDC32F2	1SCA121456R1001	10	0.15

Up to 1000 VDC

Number of poles	I_{th} (open) [A]	Rated operat. current [A]	DC 21B / 1000 V	Type	Order number	Delivery Weight/	
						batch [pcs]	unit [kg]
3	25	16		OTDC16F3	1SCA121457R1001	10	0.20
3	32	25		OTDC25F3	1SCA121458R1001	10	0.20
3	45	32		OTDC32F3	1SCA121459R1001	10	0.20

Up to 1000 VDC or 2x660 VDC¹⁾

Number of poles	I_{th} (open) [A]	Rated operat. current [A]	DC 21B / 1000 V	Type	Order number	Delivery Weight/	
						batch [pcs]	unit [kg]
4	25	16		OTDC16F4	1SCA121461R1001	10	0.25
4	32	25		OTDC25F4	1SCA121462R1001	10	0.25
4	45	32		OTDC32F4	1SCA121463R1001	10	0.25

¹⁾ 1000 V with all poles in series, 660 V with 2 poles in series

Ordering information

Front operated switch-disconnectors

OTDC16...32FT2



OTDC16...32FT3



OTDC16...32FT4



Switch-disconnectors OTDC_, door mounting

Types OTDC16...32 include protected terminal clamps, IP20. Shafts and handles need to be ordered separately. The type and the ordering numbers are for one piece.

Up to 660 VDC

Number of poles	I_{th} (open) [A]	Rated operat. current [A] DC 21B / 660 V	Type	Order number	Delivery Weight/	
					batch [pcs]	unit [kg]
2	25	16	OTDC16FT2	1SCA123839R1001		0.15
2	32	25	OTDC25FT2	1SCA123842R1001		0.15
2	45	32	OTDC32FT2	1SCA123845R1001		0.15

Up to 1000 VDC

Number of poles	I_{th} (open) [A]	Rated operat. current [A] DC 21B / 1000 V	Type	Order number	Delivery Weight/	
					batch [pcs]	unit [kg]
3	25	16	OTDC16FT3	1SCA123840R1001		0.20
3	32	25	OTDC25FT3	1SCA123843R1001		0.20
3	45	32	OTDC32FT3	1SCA123846R1001		0.20

Up to 1000 VDC or 2x660 VDC¹⁾

Number of poles	I_{th} (open) [A]	Rated operat. current [A] DC 21B / 1000 V	Type	Order number	Delivery Weight/	
					batch [pcs]	unit [kg]
4	25	16	OTDC16FT4	1SCA123841R1001		0.25
4	32	25	OTDC25FT4	1SCA123844R1001		0.25
4	45	32	OTDC32FT4	1SCA123847R1001		0.25

¹⁾ 1000 V with all poles in series, 660 V with 2 poles in series

Ordering information

Front operated switch-disconnectors

OT315...400E23P



Switch-disconnectors OTDC_ and OT_, base mounting

Up to 800 VDC

Types OT315...630 including terminal bolt kit, a black ON-OFF plastic handle and shaft as standard, base mounting. The handle is IP65 protected, padlockable in the OFF-position and with door interlock in the ON-position. The shaft is adjustable for a depth of installation ranges.

OT630E23P



Number of poles	I_{th} (open) [A]	Rated operat. current [A] DC 21 / 800 V	Type	Order number	Delivery Weight/	
					batch [pcs]	unit [kg]
Mechanism between the poles						
5	315	315	OT315E23P	1SCA101113R1001	1	4.4
5	400	400	OT400E23P	1SCA103717R1001	1	4.4
5	630	600	OT630E23P	1SCA110644R1001	1	7.8
5	630	600	OT630E23P31	1SCA111409R1001	1	7.8

OT630E23P31



Up to 1000 VDC

Types OTDC100...250 including terminal bolt kit, the handle and shaft have to be ordered separately, see pages 18...19. Types OT315...630 including terminal bolt kit, a black ON-OFF plastic handle and shaft as standard. The handle is IP65 protected, padlockable in the OFF-position and with door interlock in the ON-position. The shaft is adjustable for a depth of installation ranges.

OTDC100...250E02



Number of poles	I_{th} (open) [A]	Rated operat. current [A] DC 21 / 1000 V	Type	Order number	Delivery Weight/	
					batch [pcs]	unit [kg]
Mechanism at the end of the switch						
2	100	100	OTDC100E02	1SCA125822R1001	1	1.1
2	160	160	OTDC160E02	1SCA125840R1001	1	1.1
2	200	200	OTDC200E02	1SCA123687R1001	1	1.1
2	250	250	OTDC250E02	1SCA125866R1001	1	1.1

OT315-400E33P



Mechanism between the poles						
6	315	315	OT315E33P	1SCA103723R1001	1	4.4
6	400	400	OT400E33P	1SCA103355R1001	1	4.4
6	630	600	OT630E33P	1SCA107832R1001	1	11.3
6	630	600	OT630E33P31	1SCA111410R1001	1	11.3

OT630E33P



Shafts and handles included as standard

Suitable for switches	Included shaft	Included handle	Included terminal bolts
OTDC100...250E02	-	-	M8x25
OT315...400_P	OXp12X185	OHB95J12	M10x30
OT630_P	OXp12X185	OHB125J12	M12x40
OT630_P31	OXp12X185	OHB150J12P	M12x40

OT630E33P31



Ordering information

Front operated switch-disconnectors

OTDC100...200US02



Switch-disconnectors OTDC_, UL-types, base mounting

Up to 1000 VDC

Including terminal bolt kit, the handle and shaft have to be ordered separately, see pages 18...19. OTDC100...200US02 types are equipped with a short circuit link.

OTDC100...200U02



OTDC100...200US11



OTDC100...200U11

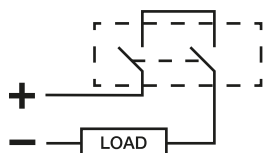


Number of poles	Rated current [A] UL98B, 1000 V	Type	Order number	Delivery batch [pcs]	Weight/unit [kg]
Mechanism at the end of the switch, includes the short circuit link					
2	100	OTDC100US02	1SCA126155R1001	1	1.2
2	200	OTDC200US02	1SCA126121R1001	1	1.2
Mechanism at the end of the switch					
2	100	OTDC100U02	1SCA126184R1001	1	1.1
2	200	OTDC200U02	1SCA126123R1001	1	1.1
Mechanism between the poles, includes the short circuit link					
2	100	OTDC100US11	1SCA125437R1001	1	1.2
2	200	OTDC200US11	1SCA125436R1001	1	1.2
Mechanism between the poles					
2	100	OTDC100U11	1SCA123957R1001	1	1.1
2	200	OTDC200U11	1SCA123767R1001	1	1.1

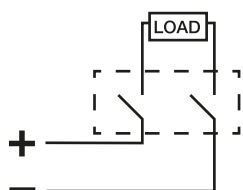
Shafts and handles included as standard

Suitable for switches	Included shaft	Included handle	Included terminal bolts
OTDC100...250U_	-	-	M8x25

OTDC100US_, OTDC200US_



OTDC100U_, OTDC200U_



Ordering information

Plastic enclosed switch-disconnectors

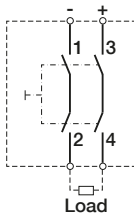
OTDCP_SA_



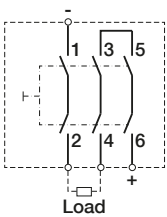
OTDCP_S_



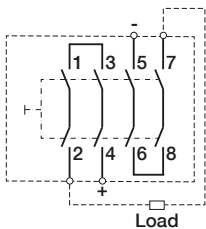
OTDCP_11_



OTDCP_12_



OTDCP_22_



Plastic enclosed switch-disconnectors OTDCP_

M20 threaded knock-outs, compression glands have to be ordered separately.
M16 threaded knock-outs available on request.

Up to 660 VDC

Number of poles	Rated operat. current [A] DC 21B / 660 V	Type	Order number	Weight/unit [kg]
Includes selector type red-yellow handle (I-0 and ON-OFF indication)				
2	16	OTDCP16SA11M	1SCA125126R1001	0.55
2	25	OTDCP25SA11M	1SCA125127R1001	0.55
2	32	OTDCP32SA11M	1SCA125128R1001	0.55
Includes selector type black handle (I-0 and ON-OFF indication)				
2	16	OTDCP16S11M	1SCA125129R1001	0.55
2	25	OTDCP25S11M	1SCA125130R1001	0.55
2	32	OTDCP32S11M	1SCA125131R1001	0.55

Up to 1000 VDC

Number of poles	Rated operat. current [A] DC 21B / 1000 V	Type	Order number	Weight/unit [kg]
Includes selector type red-yellow handle (I-0 and ON-OFF indication)				
3	16	OTDCP16SA12M	1SCA125150R1001	0.59
3	25	OTDCP25SA12M	1SCA125151R1001	0.59
3	32	OTDCP32SA12M	1SCA125152R1001	0.59
Includes selector type black handle (I-0 and ON-OFF indication)				
3	16	OTDCP16S12M	1SCA125153R1001	0.59
3	25	OTDCP25S12M	1SCA125154R1001	0.59
3	32	OTDCP32S12M	1SCA125155R1001	0.59

Up to 1000 VDC or 2x660 VDC¹⁾

Number of poles	Rated operat. current [A] DC 21B / 1000 V	Type	Order number	Weight/unit [kg]
Includes selector type red-yellow handle (I-0 and ON-OFF indication)				
4	16	OTDCP16SA22M	1SCA125094R1001	0.63
4	25	OTDCP25SA22M	1SCA125091R1001	0.63
4	32	OTDCP32SA22M	1SCA125090R1001	0.63
Includes selector type black handle (I-0 and ON-OFF indication)				
4	16	OTDCP16S22M	1SCA125095R1001	0.63
4	25	OTDCP25S22M	1SCA125092R1001	0.63
4	32	OTDCP32S22M	1SCA125093R1001	0.63

¹⁾ 1000 V with all poles in series, 660 V with 2 poles in series

Ordering information

Accessories

OHBS 1_
S00684A



OHRS 2_
S01368A



OHRS 3_
S01368A



Handle knobs

Mounting directly to the switch, no shaft needed, for base and DIN-rail mounted switches
Padlockable with one padlock with bail diameter 5 mm, see the table below.

Colour	Handle length [mm]	Type	Order number	Units/ type [pcs]
Suitable for switches OTDC16...32F				
Black	31	OHBS1	1SCA109087R1001	10
Black	31	OHBS1/1	1SCA109088R1001	1
Red	31	OHRS1	1SCA109095R1001	10
Red	31	OHRS1/1	1SCA109096R1001	1
Suitable for switches OTDC16...32F				
Black	40	OHBS2	1SCA109089R1001	10
Black	40	OHBS2/1	1SCA109090R1001	1
Red	40	OHRS2	1SCA108598R1001	10
Red	40	OHRS2/1	1SCA108599R1001	1
Black	39	OHBS3	1SCA108320R1001	10
Black	39	OHBS3/1	1SCA108319R1001	1
Red	39	OHRS3	1SCA108667R1001	10
Red	39	OHRS3/1	1SCA108688R1001	1

Special information for handle knobs

Handle type	Padlockable	Shaft through the handle	45 mm cut-out enable*
OHBS1_, OHRS1_	No	No	Yes
OHBS2_, OHRS2_	Yes	No	Yes
OHBS3_, OHRS3_	No	No	Yes

* In I-position the handle shall remain within the cut-out height

Ordering information

Accessories

OH_1_
S00395A



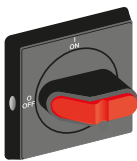
Selector type handles for base and DIN-rail mounted switches

Indication I-O and ON-OFF, for shaft diameter 6 mm, door drilling 22.5 mm.
The type and the ordering numbers are for one piece.

OH_3_
S00687A



OH_2_
S00396A



OHBS2_AJEH



Colour	Type	Order number	Delivery batch [pcs]
IP 54 handles, NEMA 1, suitable for switches OTDC16...32F			
Black	OHBS1AH	1SCA102680R1001	150
Yellow-red	OHYS1AH	1SCA105290R1001	150
Silver	OHSS1AH	1SCA105274R1001	150
Grey	OHGS1AH	1SCA105261R1001	150
Door interlock in ON-position.			
Black	OHBS1AH1	1SCA105210R1001	150
Yellow-red	OHYS1AH1	1SCA105291R1001	150
Silver	OHSS1AH1	1SCA105275R1001	150
Grey	OHGS1AH1	1SCA105262R1001	150
Padlockable with one padlock with bail diameter 5...6.3 mm.			
Black	OHBS3AH	1SCA105234R1001	150
Yellow-red	OHYS3AH	1SCA105325R1001	150
Silver	OHSS3AH	1SCA105283R1001	150
Grey	OHGS3AH	1SCA105270R1001	150
Padlockable with one padlock with bail diameter 5...6.3 mm, door interlock in ON-position.			
Black	OHBS3AH1	1SCA105235R1001	150
Yellow-red	OHYS3AH1	1SCA105326R1001	150
Silver	OHSS3AH1	1SCA105284R1001	150
Grey	OHGS3AH1	1SCA105271R1001	150
IP 65 handles, NEMA 1, 3R, 12, suitable for switches OTDC16...32F			
Padlockable with max. 3 padlocks with bail diameter 5...8 mm, door interlock in ON-position, defeatable.			
Black	OHBS2AJ	1SCA105213R1001	120
Yellow-red	OHYS2AJ	1SCA105296R1001	120
Silver	OHSS2AJ	1SCA105278R1001	120
Grey	OHGS2AJ	1SCA105265R1001	120
Padlockable with max. 3 padlocks with bail diameter 5...8 mm, door interlock in ON-position.			
Black	OHBS2AJ1	1SCA105215R1001	120
Yellow-red	OHYS2AJ1	1SCA105297R1001	120
Silver	OHSS2AJ1	1SCA105279R1001	120
Grey	OHGS2AJ1	1SCA105266R1001	120
Selector type handle with metal hasp			
IP65 handles, NEMA 1, 3R, 12, suitable for switches OTDC16...32F			
Padlockable with max. 3 padlocks, door interlock in the ON-position, defeatable.			
Black	OHBS2AJEH	1SCA108230R1001	120

Ordering information

Accessories

OH_1_
S00395A



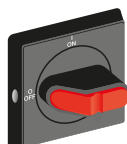
Selector type handles, for door mounted switches

Indication I-O and ON-OFF. No separate shaft needed.
The type and the ordering numbers are for one piece.

OH_3_
S00697A



OH_2_
S00396A



Colour	Type	Order number	Units/ type [pcs]
--------	------	--------------	-------------------------

Snap-on mounting, door drilling 22,5 mm, for OTDC16...32FT

No padlocking, IP54, NEMA 1

Black	OHBS1PH	1SCA105211R1001	150
Red-yellow	OHYS1PH	1SCA105294R1001	150
Silver	OHSS1PH	1SCA105276R1001	150
Grey	OHGS1PH	1SCA105263R1001	150

Padlockable with one padlock, IP54, NEMA 1

Black	OHBS3PH	1SCA105236R1001	150
Red-yellow	OHYS3PH	1SCA105327R1001	150
Silver	OHSS3PH	1SCA105285R1001	150
Grey	OHGS3PH	1SCA105272R1001	150

Padlockable with max. 3 padlocks, IP65, NEMA 1, 3R, 12

Black	OHBS2PJ	1SCA105231R1001	120
Red-yellow	OHYS2PJ	1SCA105322R1001	120
Silver	OHSS2PJ	1SCA105280R1001	120
Grey	OHGS2PJ	1SCA105268R1001	120

Screw mounting, hole distance 36 mm, for OTDC16...32FT

No padlocking, IP54, NEMA 1

Black	OHBS1RH	1SCA105212R1001	150
Red-yellow	OHYS1RH	1SCA105295R1001	150
Silver	OHSS1RH	1SCA105277R1001	150
Grey	OHGS1RH	1SCA105264R1001	150

Padlockable with one padlock, IP54, NEMA 1

Black	OHBS3RH	1SCA105237R1001	150
Red-yellow	OHYS3RH	1SCA105328R1001	150
Silver	OHSS3RH	1SCA105286R1001	150
Grey	OHGS3RH	1SCA105273R1001	150

Padlockable with max. 3 padlocks, IP65, hole distance 36/48 mm, NEMA 1, 3R, 12

Black	OHBS2RJ	1SCA105232R1001	120
Red-yellow	OHYS2RJ	1SCA105323R1001	120
Silver	OHSS2RJ	1SCA105281R1001	120
Grey	OHGS2RJ	1SCA105269R1001	120

Ordering information

Accessories

OHY_
S00836A

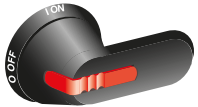


Pistol type handles

OH_ handles: IP 65, NEMA 1,3R, 12

Padlockable with three padlocks in OFF-position, door interlock in ON-position. Screw fixing from the back side of the handle. No screws on the front ensures double insulation. The type and the ordering numbers are for one piece.

OHB_
S00601A



OHB_P
S02195A



Colour	Handle length [mm]	Suitable for switches	Type	Order number	Delivery Weight/ batch [pcs]	unit [kg]
For shaft diameter 6 mm, indication in types OHB and OHY: I-0, ON-OFF, in types OHG: I-0.						
Black	65	OTDC100...250_	OHB65J6	1SCA022380R9660	100	0.12
Yellow-red	65	OTDC100...250_	OHY65J6	1SCA022380R9820	100	0.12
Grey	65	OTDC100...250_	OHG65J6	1SCA022380R9740	100	0.12
Black	80	OTDC100...250_	OHB80J6	1SCA022381R0240	100	0.14
Yellow-red	80	OTDC100...250_	OHY80J6	1SCA022381R0410	100	0.14
Grey	80	OTDC100...250_	OHG80J6	1SCA022381R0320	100	0.14
For shaft diameter 6 mm, indication: Test-OFF-ON/Test-0-I						
Black	65	OTDC100...250_	OHB65J6T	1SCA022399R8110	100	0.12
Yellow-red	65	OTDC100...250_	OHY65J6T	1SCA022456R9540	100	0.12
For shaft diameter 12 mm, indication OHB and OHY: I-0, ON-OFF, in types OHG: I-0						
Black	95	OT315...400_	OHB95J12	1SCA022381R0830	90	0.16
Yellow-red	95	OT315...400_	OHY95J12	1SCA022381R1050	90	0.16
Grey	95	OT315...400_	OHG95J12	1SCA022381R0910	90	0.16
Black	125	OT630_	OHB125J12	1SCA022381R1560	90	0.17
Yellow-red	125	OT630_	OHY125J12	1SCA022381R1720	90	0.17
Grey	125	OT630_	OHG125J12	1SCA022381R1640	90	0.17
Black	145	OT630_	OHB145J12	1SCA022381R2110	90	0.17
Yellow-red	145	OT630_	OHY145J12	1SCA022381R2370	90	0.17
Grey	145	OT630_	OHG145J12	1SCA022381R2290	90	0.17
Black	2x150	OT630_	OHB150J12P	1SCA022865R9430	25	0.35
For shaft diameter 12 mm, indication: Test-OFF-ON/Test-0-I						
Black	95	OT315...400_	OHB95J12T	1SCA022736R1750	90	0.16
Yellow-red	95	OT315...400_	OHY95J12T	1SCA022736R1910	90	0.16
Black	125	OT630_	OHB125J12T	1SCA022652R2220	90	0.17
Yellow-red	125	OT630_	OHY125J12T	1SCA022652R2310	90	0.17

Door interlocking in ON-position means that the door can not be opened, when the handle is in ON-position.

This can be defeated in IP65 types to allow authorized personnel access for inspection.

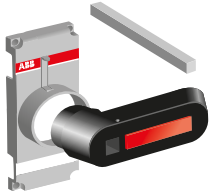
NEMA 4, 4x pistol handles available on request.

Handles padlockable in all positions available on request.

Ordering information

Accessories

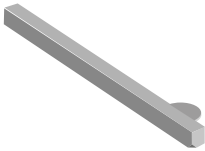
OT_V_
S01997A



Handles for direct mounting

Colour	Handle length [mm]	Suitable for switches	Type	Order number	Units/ type [pcs]	Weight/ unit [kg]
Indication Test-OFF-ON/Test-O-I.						
Padlockable with three padlocks in OFF-position. Includes shaft and mechanism cover.						
Black	65	OTDC100...250	OTDV250EK	1SCA127390R1001	1	0.10
Red-yellow	65	OTDC100...250	OTDVY250EK	1SCA127391R1001	1	0.10
Black	95	OT315...400	OTV400EK	1SCA022763R2960	1	0.20
Red-yellow	95	OT315...400	OTVY400EK	1SCA022772R7830	1	0.20
Black	125	OT630...800	OTV800EK	1SCA022804R6340	1	0.30
Red-yellow	125	OT630...800	OTVY800EK	1SCA022810R2780	1	0.30

OXS6X_
S01026A

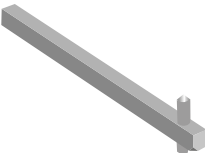


Extended shafts

The type and ordering numbers are for one piece.

Shaft length [mm]	H [mm]	Type	Order number	Delivery batch [pcs]	Weight/ unit [kg]
					

OSP6X_
S00050A



For selector type handles

Suitable for switches OTDC16...32F, shaft diameter 6 mm

85	See	OXS6X85	1SCA101647R1001	10	0.02
105	dimension	OXS6X105	1SCA108043R1001	10	0.02
120	drawings	OXS6X120	1SCA101654R1001	10	0.03
130		OXS6X130	1SCA101655R1001	10	0.03
160		OXS6X160	1SCA101656R1001	10	0.04
180		OXS6X180	1SCA101659R1001	10	0.04
250		OXS6X250	1SCA101660R1001	10	0.05
330		OXS6X330	1SCA101661R1001	10	0.05

For pistol type handles

Suitable for switches OTDC100...250_, shaft diameter 6 mm ¹⁾

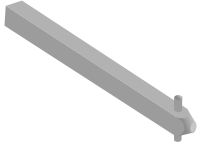
130	109...174	OSP6X130	1SCA022057R0570	1	0.04
150	129...194	OSP6X150	1SCA022295R5600	1	0.05
161	140...205	OSP6X161	1SCA022067R1760	1	0.05
210	189...254	OSP6X210	1SCA022295R6080	1	0.06
290	269...334	OSP6X290	1SCA022042R6370	1	0.08

¹⁾ Longer shafts on request

Ordering information

Accessories

OXP12X_
S00047A



Extended shafts

The type and ordering numbers are for one piece.

Shaft length [mm]	H [mm]	Type	Order number	Delivery Weight/ batch [pcs]	unit [kg]
-------------------	--------	------	--------------	------------------------------	-----------

For pistol type handles

Suitable for switches OT315...400_, shaft diameter 12 mm

166	146...226	OXP12X166	1SCA022325R7100	1	0.2
185	165...245	OXP12X185	1SCA022325R6710	1	0.2
250	230...310	OXP12X250	1SCA022325R6980	1	0.28
280	260...340	OXP12X280	1SCA022137R5140	1	0.3
325	305...385	OXP12X325	1SCA022042R5810	1	0.36
395	445...525	OXP12X395	1SCA022042R5990	1	0.43
465	439...519	OXP12X465	1SCA022042R6020	1	0.51
535	515...595	OXP12X535	1SCA022042R6110	1	0.59

Suitable for switches OT630_, shaft diameter 12 mm

250	230...345	OXP12X250	1SCA022325R6980	1	0.28
280	260...375	OXP12X280	1SCA022137R5140	1	0.3
325	305...420	OXP12X325	1SCA022042R5810	1	0.36
395	375...490	OXP12X395	1SCA022042R5990	1	0.43
465	445...560	OXP12X465	1SCA022042R6020	1	0.51
535	515...630	OXP12X535	1SCA022042R6110	1	0.59

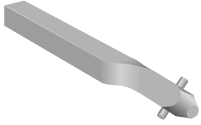
Suitable for switches OT630E_P31 with OHB150J12P handle, shaft diameter 12 mm

250	222...336	OXP12X250	1SCA022325R6980	1	0.28
280	252...366	OXP12X280	1SCA022137R5140	1	0.3
325	297...411	OXP12X325	1SCA022042R5810	1	0.36
395	367...481	OXP12X395	1SCA022042R5990	1	0.43
465	437...551	OXP12X465	1SCA022042R6020	1	0.51
535	507...621	OXP12X535	1SCA022042R6110	1	0.59

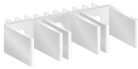
Ordering information

Accessories

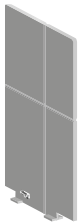
OXP_-45
S00669A



OEZXY91
S07230



OTDCB250/6
KE00052

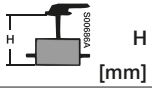


Extended shafts

Twisted shafts for pistol type handles

The shaft position is rotated 45 degrees.

The type and ordering numbers are for one piece.

Shaft length [mm]	 H [mm]	Type	Order number	Delivery Weight/	
				batch [pcs]	unit [kg]
Suitable for switches OTDC100...250_, shaft diameter 6 mm					
130	109...174	OX-P6X130-45	1SCA022355R9110	1	0.04
150	129...194	OX-P6X150-45	1SCA022294R4400	1	0.05
210	189...254	OX-P6X210-45	1SCA022294R4230	1	0.06
290	269...334	OX-P6X290-45	1SCA022304R4290	1	0.08
Suitable for switches OT315...400_, shaft diameter 12 mm					
250	230...310	OX-P12X250-45	1SCA022293R9400	1	0.28
280	260...340	OX-P12X280-45	1SCA022382R0800	1	0.3
325	305...385	OX-P12X325-45	1SCA022304R4450	1	0.36
395	445...525	OX-P12X395-45	1SCA022749R0640	1	0.43
465	439...519	OX-P12X465-45	1SCA022423R1770	1	0.51
535	515...595	OX-P12X535-45	1SCA022723R2940	1	0.59

Mounting accessories

Short-circuit link

Includes as standard in types OTDC100...200US02.

Shaft length [mm]	Type	Order number	Units Weight/	
			type [pcs]	unit [kg]
OTDC100..250	OEZXY91	1SCA125290R1001	1	

Phase separators

Grey plastic plate for maintaining 1" clearance between the phases without terminal shrouds.

Snap-on mounting. Includes as standard in OTDC100...200U_ types.

Shaft length [mm]	Type	Order number	Units Weight/	
			type [pcs]	unit [kg]
OTDC100..250	OTDCB250/6	1SCA125532R1001	6	

Ordering information

Accessories

OHZX10
S01432A



Shaft accessories

Colour	Type	Order number	Delivery Weight/	
			batch	unit
			[pcs]	[kg]

Shaft alignment ring

Improves the handle operation if a handle and a shaft have been poorly aligned. The type and the ordering numbers are for one piece.

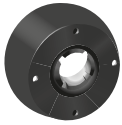
For pistol type handles OH_65...275J6...12

Black	OHZX10	1SCA022661R3610	10	0.23
-------	--------	-----------------	----	------

For selector type handles OH_1...3

Black	OHZX11	1SCA022708R3610	10	0.23
-------	--------	-----------------	----	------

OHZX14
S02194A



OXT20X210X
S02211A



Extension ring for pistol type handles OHB_

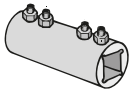
Black	OHZX14	1SCA022851R6590	1	0.06
-------	--------	-----------------	---	------

Shaft tube

Supporting 12 mm shafts longer than 280 mm.

	OXT20x210X	1SCA103684R1001	1	1.5
--	------------	-----------------	---	-----

OETLZX95, OESAZX167
S00080A

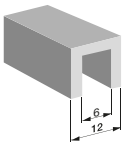


Shaft extension socket

For extending the shaft of combination attachment. The type and the ordering numbers are for one piece.

Shaft diameter [mm]	Type	Order number	Units/ Weight/	
			unit	type
			[pcs]	[kg]
6	OESAZX167	1SCA022190R1560	1	0.03
12	OETLZX95	1SCA022083R5620	1	0.04

OETLZK19
S00670C



Adapter for extension socket

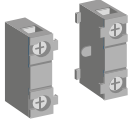
The adapter can be placed inside the extension socket OETLZX95.

6	OETLZK19	1SCA022093R1850	1	0.02
---	----------	-----------------	---	------

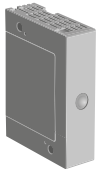
Ordering information

Accessories

OA1G, OA3G01
S00261A



OEA28
S01641A



Auxiliary contact blocks, IP20

Contact numbering according to EN 50013.
The type and the ordering numbers are for one piece.

Suitable for switches	Function	Type	Order number	Delivery batch ²⁾ [pcs]	Weight/unit [kg]
-----------------------	----------	------	--------------	------------------------------------	------------------

Mounting on the left side of the switch or under the mechanism cover

Mounting on the left side of the switch:

Max. 8 auxiliary contact blocks with the OEA28 module.

Mounting under the mechanism cover:

OTDC100...250: Max. 4 test contacts or 2 test contacts + 2 test indication contacts.¹⁾

OT315...630: Max. 4 test contacts + 4 test indication contacts.¹⁾

The test contacts can be used as standard auxiliary contacts as well.

OTDC100...250, OT315...630	1NO	OA1G10	1SCA022353R4970	10	0.03
OTDC100...250, OT315...630	1NC	OA3G01	1SCA022456R7410	10	0.03

Module for auxiliary contacts

Screw mounting to the left side of the switch.

Suitable for switches	Type	Order number	Units/type [pcs]	Weight/unit [kg]
OTDC100..250, OT315...630	OEA28	1SCA022714R8810	1	0.04

¹⁾ Contact numbering:

(83) (43) (53) 13 21 (61) (31) (71)
(84) (44) (54) 14 22 (62) (32) (72)

²⁾ Auxiliary contacts OA1G_ are available in larger packing as well.

A bulk package includes 50 auxiliary contacts. Type number: add a suffix: /B, e.g. OA1G01/B.

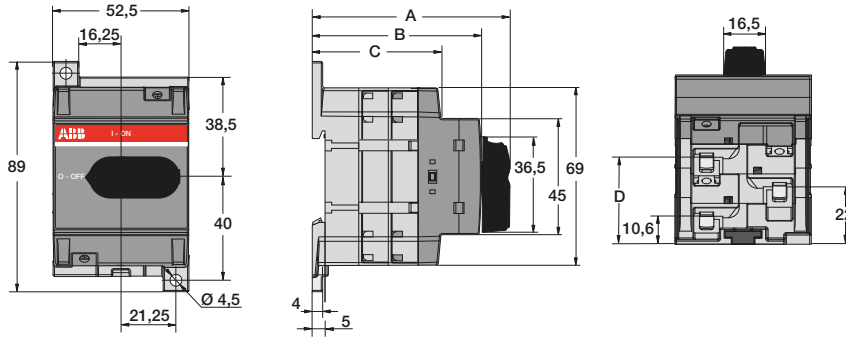
Early break type auxiliary contacts means that in the switches, the NO aux.contacts break before the main contacts open.

Performance data according to IEC 60947-5-1

For OA1G_, OA3G_						
Ue/[V]	AC15 Ie/[A]	Ue/[V]	DC12		DC13	
			Ie/[A]	P/[W]	Ie/[A]	P/[W]
230	6	24	10	240	2	50
400	4	72	4	290	0.8	60
415	4	125	2	250	0.55	70
690	2	250	0.55	140	0.27	70
		440	0.1	44		

Dimension drawings Switch-disconnectors

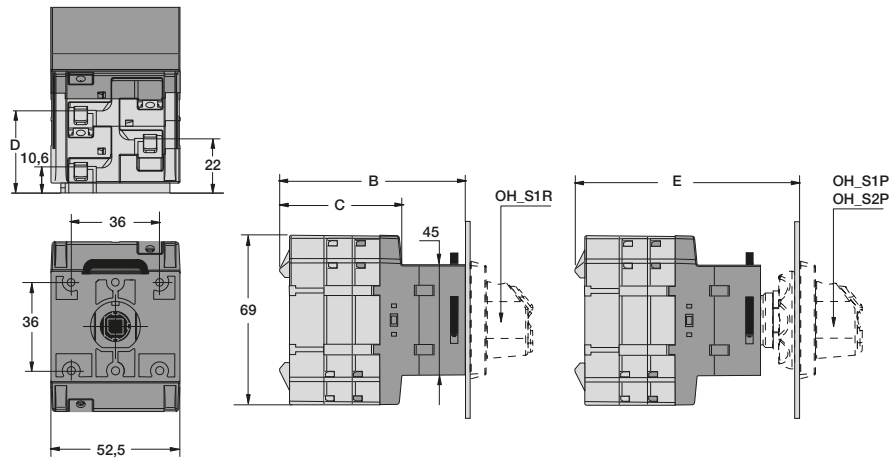
OTDC16...32F_, base or DIN-rail mounting



507151 / M00371 / OTDC16-32_ B

OTDC16...32F_				
Dimension [mm]				
Number of poles	A	B	C	D
2	66,2	54,1	38,3	22
3	77,6	65,5	49,7	33,4
4	89	76,9	61,1	44,8

OTDC16...32FT_, door mounting

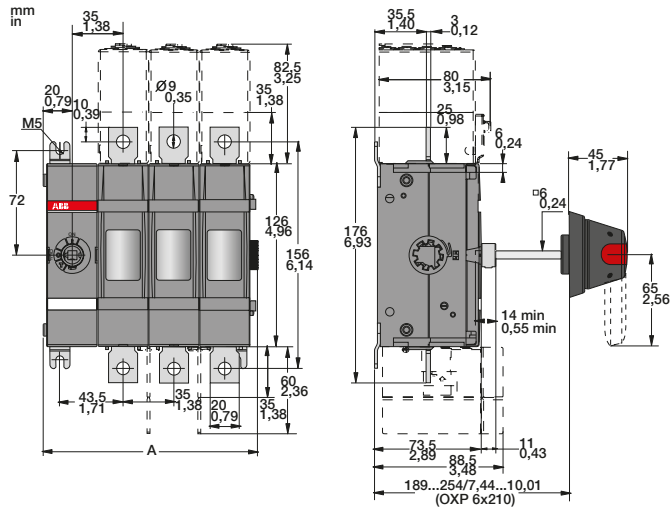


M00416/OTDC32FT-1 B

OTDC32FT_				
[mm]	B	C	D	E
FT2	64,1	38,3	22	79,9
FT3	75,5	49,7	33,4	91,3
FT4	86,9	61,1	44,8	102,7

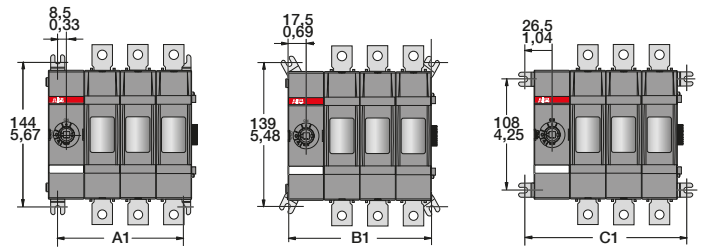
Dimension drawings Switch-disconnectors

OTDC100...250E02, OTDC100...200U02

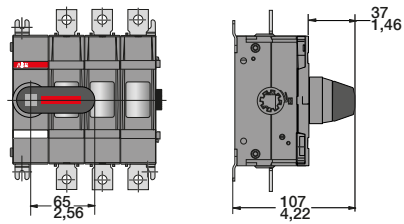


M00914/OTDC200-250E01-04

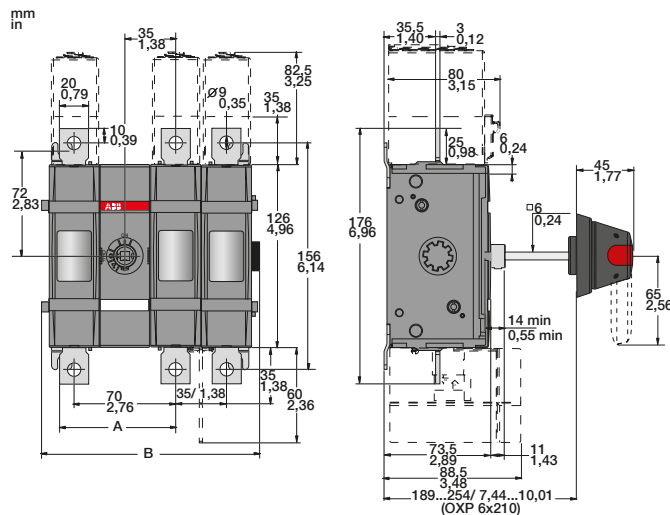
		OTDC100, 160, 200, 250E01...04			
		OTDC 100, 200U01...04			
[mm/in]		01	02	03	04
A		78/3,07	113/4,45	149/5,83	183/7,21
A1		52/2,05	87/3,43	122/4,81	157/6,18
B1		70/2,76	105/4,14	140/5,51	175/6,89
C1		88/3,46	123/4,85	158/6,22	193/7,6



OTDC100, 160, 200, 250E01...04K OTDC 100, 200U01...04K

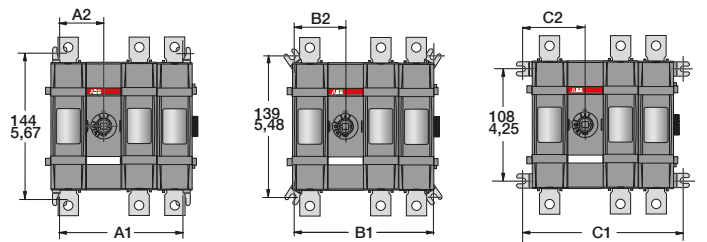


OTDC100...250E11, OTDC100...200U11

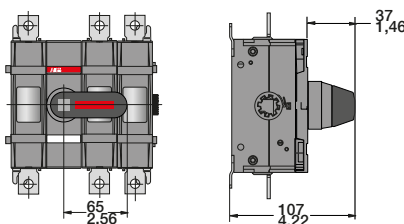


M06415/OTDC200-250E11-22

		OTDC100, 160, 200, 250E11...22			
		OTDC100, 200U11...22			
[mm/in]		11	12	13	22
A		80/3,15	80/3,15	80/3,15	115/4,53
B		115,5/4,55	150,5/5,93	185,5/7,31	185,5/7,31
A1		87/3,43	122/4,81	157/6,18	157/6,18
A2		49,9/1,71	43,5/1,71	43,5/1,71	78,9/3,09
B1		105/4,14	140/5,51	175/6,89	175/6,89
B2		52,5/2,07	52,5/2,07	52,5/2,07	87,5/3,44
C1		123/4,85	158/6,22	193/7,6	193/7,6
C2		61,5	61,5	61,5	96,5

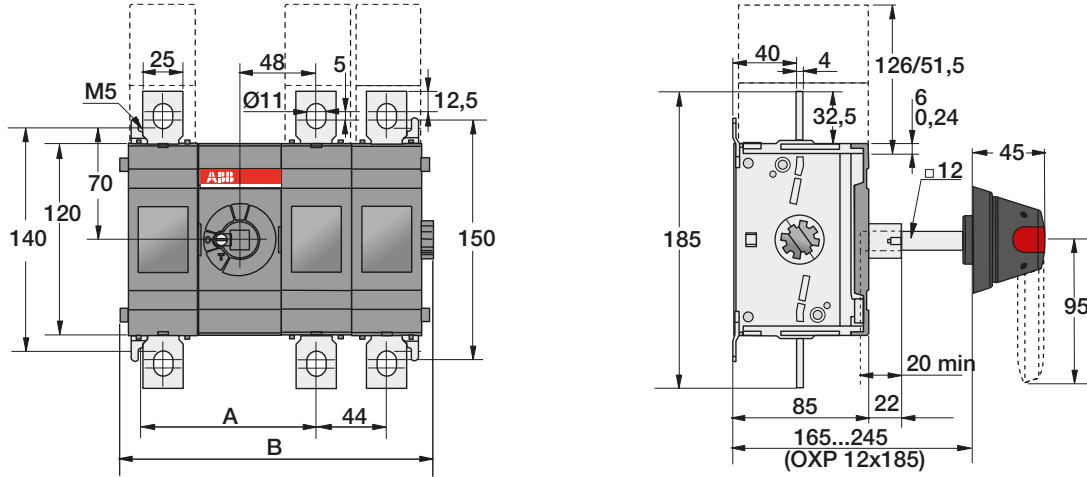


OTDC100, 160, 200, 250E11...22K OTDC 100, 200U11...22K



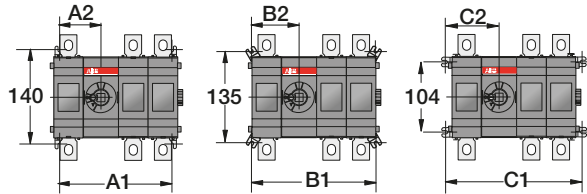
Dimension drawings Switch-disconnectors

OT315-400E23/33P



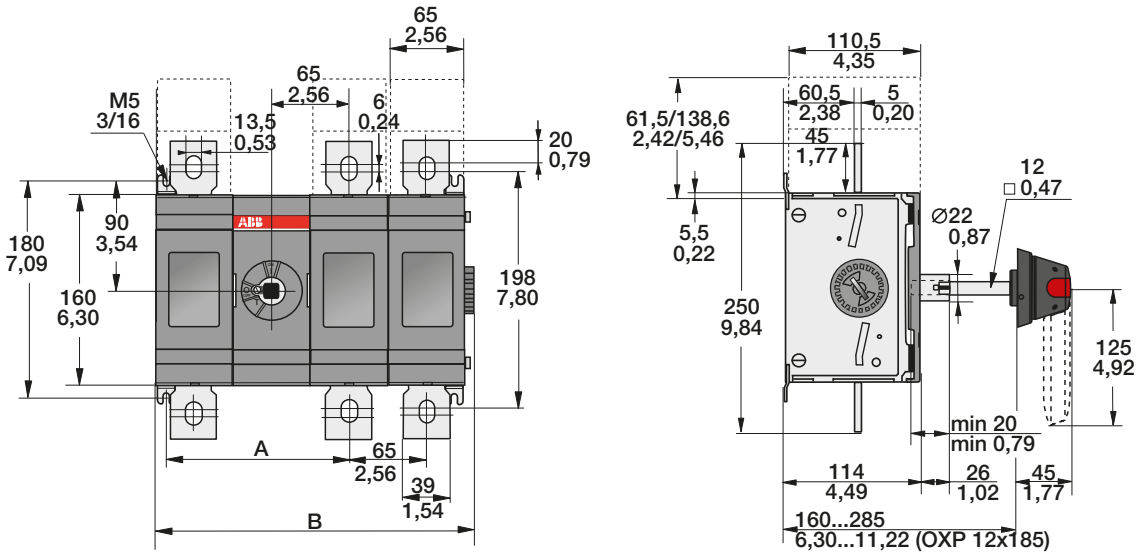
OT315/400/500

[mm]	E11	E12	E13	E22	E23	E33
A	109	109	109	153	153	197
B	152	196	240	240	284	328
A1	122	166	210	210	254	298
A2	61	61	61	105	105	149
B1	140	184	228	228	272	316
B2	70	70	70	114	114	158
C1	158	202	246	246	290	334
C2	79	79	79	123	123	167



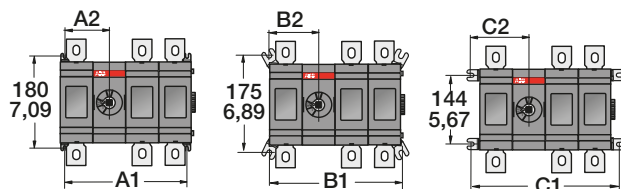
OT630E23/33P

mm
in



OT600/630/800

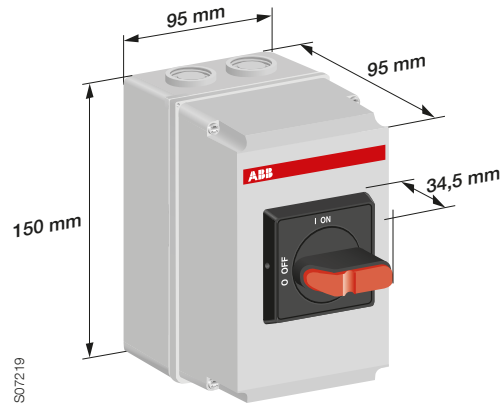
[mm/in]	E11	E12	E13	E22	E23	E33
A	153,5/6,04	153,5/6,04	153,5/6,04	218,5/8,60	218,5/8,60	283,5/11,16
B	201/7,91	266/10,47	331/13,03	331/13,03	396/15,59	461/18,15
A1	177/6,97	242/9,53	307/12,09	307/12,09	372/14,65	437/17,20
A2	88,5/3,48	88,5/3,48	88,5/3,48	153,5/6,04	153,5/6,04	218,5/8,60
B1	195/7,68	260/10,24	325/12,80	325/12,80	390/15,35	455/17,91
B2	97,5/3,84	97,5/3,84	97,5/3,84	162,5/6,40	162,5/6,40	227,5/8,96
C1	213/8,39	278/10,94	343/13,50	343/13,50	408/16,06	473/18,62
C2	106,5/4,19	106,5/4,19	106,5/4,19	171,5/6,75	171,5/6,75	236,5/9,31



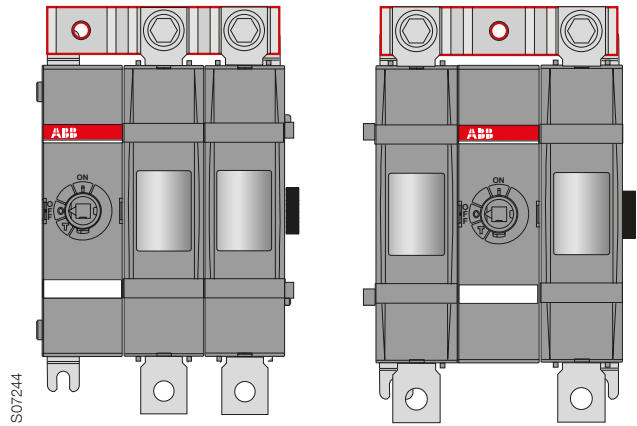
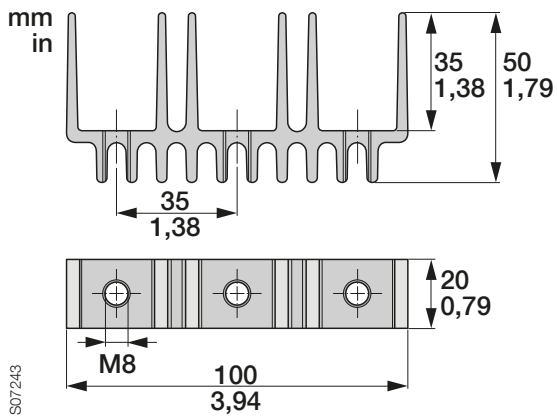
Dimension drawings

Enclosed switch-disconnectors, accessories

OTDCP16...32



OEZXY91



OS100...200US_-types

Index

Type	Order number	Description	Page	Type	Order number	Description	Page
OA1G10	1SCA022353R4970	Auxiliary contact block	23	OHGS3PH	1SCA105272R1001	Handle	17
OA3G01	1SCA022456R7410	Auxiliary contact block	23	OHGS3RH	1SCA105273R1001	Handle	17
OEA28	1SCA022714R8810	Module for auxiliary contacts	23	OHRS1	1SCA109095R1001	Handle knob	15
OESAZX167	1SCA022190R1560	Shaft extension socket	22	OHRS1/1	1SCA109096R1001	Handle knob	15
OETLZK19	1SCA022093R1850	Adapter for extension socket	22	OHRS2	1SCA108598R1001	Handle knob	15
OETLZX95	1SCA022083R5620	Shaft extension socket	22	OHRS2/1	1SCA108599R1001	Handle knob	15
OEZY90	1SCA125322R1001	Short-circuit link	21	OHRS3	1SCA108667R1001	Handle knob	15
OHB125J12	1SCA022381R1560	Handle	18	OHRS3/1	1SCA108668R1001	Handle knob	15
OHB125J12T	1SCA022652R2220	Handle	18	OHSS1AH	1SCA105274R1001	Handle	16
OHB145J12	1SCA022381R2110	Handle	18	OHSS1AH1	1SCA105275R1001	Handle	16
OHB150J12P	1SCA022865R9430	Handle	18	OHSS1PH	1SCA105276R1001	Handle	17
OHB65J6	1SCA022380R9660	Handle	18	OHSS1RH	1SCA105277R1001	Handle	17
OHB65J6T	1SCA022399R8110	Handle	18	OHSS2AJ	1SCA105278R1001	Handle	16
OHB80J6	1SCA022381R0240	Handle	18	OHSS2AJ1	1SCA105279R1001	Handle	16
OHB95J12	1SCA022381R0830	Handle	18	OHSS2PJ	1SCA105280R1001	Handle	17
OHB95J12T	1SCA022736R1750	Handle	18	OHSS2RJ	1SCA105281R1001	Handle	17
OHBS1	1SCA109087R1001	Handle knob	15	OHSS3AH	1SCA105283R1001	Handle	16
OHBS1/1	1SCA109088R1001	Handle knob	15	OHSS3AH1	1SCA105284R1001	Handle	16
OHBS1AH	1SCA102680R1001	Handle	16	OHSS3PH	1SCA105285R1001	Handle	17
OHBS1AH1	1SCA105210R1001	Handle	16	OHSS3RH	1SCA105286R1001	Handle	17
OHBS1PH	1SCA105211R1001	Handle	17	OHY125J12	1SCA022381R1720	Handle	18
OHBS1RH	1SCA105212R1001	Handle	17	OHY125J12T	1SCA022652R2310	Handle	18
OHBS2	1SCA109089R1001	Handle knob	15	OHY145J12	1SCA022381R2370	Handle	18
OHBS2/1	1SCA109090R1001	Handle knob	15	OHY65J6	1SCA022380R9820	Handle	18
OHBS2AJ	1SCA105213R1001	Handle	16	OHY65J6T	1SCA022456R9540	Handle	18
OHBS2AJ1	1SCA105215R1001	Handle	16	OHY80J6	1SCA022381R0410	Handle	18
OHBS2AJEH	1SCA108230R1001	Handle	16	OHY95J12	1SCA022381R1050	Handle	18
OHBS2PJ	1SCA105231R1001	Handle	17	OHY95J12T	1SCA022736R1910	Handle	18
OHBS2RJ	1SCA105232R1001	Handle	17	OHYS1AH	1SCA105290R1001	Handle	16
OHBS3	1SCA108320R1001	Handle knob	15	OHYS1AH1	1SCA105291R1001	Handle	16
OHBS3/1	1SCA108319R1001	Handle knob	15	OHYS1PH	1SCA105294R1001	Handle	17
OHBS3AH	1SCA105234R1001	Handle	16	OHYS1RH	1SCA105295R1001	Handle	17
OHBS3AH1	1SCA105235R1001	Handle	16	OHYS2AJ	1SCA105296R1001	Handle	16
OHBS3PH	1SCA105236R1001	Handle	17	OHYS2AJ1	1SCA105297R1001	Handle	16
OHBS3RH	1SCA105237R1001	Handle	17	OHYS2PJ	1SCA105322R1001	Handle	17
OHG125J12	1SCA022381R1640	Handle	18	OHYS2RJ	1SCA105323R1001	Handle	17
OHG145J12	1SCA022381R2290	Handle	18	OHYS3AH	1SCA105325R1001	Handle	16
OHG65J6	1SCA022380R9740	Handle	18	OHYS3AH1	1SCA105326R1001	Handle	16
OHG80J6	1SCA022381R0320	Handle	18	OHYS3PH	1SCA105327R1001	Handle	17
OHG95J12	1SCA022381R0910	Handle	18	OHYS3RH	1SCA105328R1001	Handle	17
OHGS1AH	1SCA105261R1001	Handle	16	OHZX10	1SCA022661R3610	Shaft alignment ring	22
OHGS1AH1	1SCA105262R1001	Handle	16	OHZX11	1SCA022708R3610	Shaft alignment ring	22
OHGS1PH	1SCA105263R1001	Handle	17	OHZX14	1SCA022851R6590	Extension ring	22
OHGS1RH	1SCA105264R1001	Handle	17	OT315E23P	1SCA101113R1001	DC switch-disconnector	12
OHGS2AJ	1SCA105265R1001	Handle	16	OT315E33P	1SCA103723R1001	DC switch-disconnector	12
OHGS2AJ1	1SCA105266R1001	Handle	16	OT400E23P	1SCA103717R1001	DC switch-disconnector	12
OHGS2PJ	1SCA105268R1001	Handle	17	OT400E33P	1SCA103355R1001	DC switch-disconnector	12
OHGS2RJ	1SCA105269R1001	Handle	17	OT630E23P	1SCA110644R1001	DC switch-disconnector	12
OHGS3AH	1SCA105270R1001	Handle	16	OT630E23P31	1SCA111409R1001	DC switch-disconnector	12
OHGS3AH1	1SCA105271R1001	Handle	16	OT630E33P	1SCA107832R1001	DC switch-disconnector	12

Type	Order number	Description	Page	Type	Order number	Description	Page
OT630E33P31	1SCA111410R1001	DC switch-disconnector	12	OTDV250EK	1SCA127390R1001	Handle	19
OTDC100E02	1SCA125822R1001	DC switch-disconnector	12	OTDVY250EK	1SCA127391R1001	Handle	19
OTDC100U02	1SCA126184R1001	DC switch-disconnector	13	OTV400EK	1SCA022763R2960	Handle	19
OTDC100U11	1SCA123957R1001	DC switch-disconnector	13	OTV800EK	1SCA022804R6340	Handle	19
OTDC100US02	1SCA126155R1001	DC switch-disconnector	13	OTVY400EK	1SCA022772R7830	Handle	19
OTDC100US11	1SCA125437R1001	DC switch-disconnector	13	OTVY800EK	1SCA022810R2780	Handle	19
OTDC160E02	1SCA125840R1001	DC switch-disconnector	12	EXP12X166	1SCA022325R7100	Shaft	20
OTDC16F2	1SCA121454R1001	DC switch-disconnector	10	EXP12X185	1SCA022325R6710	Shaft	20
OTDC16F3	1SCA121457R1001	DC switch-disconnector	10	EXP12X250	1SCA022325R6980	Shaft	20
OTDC16F4	1SCA121461R1001	DC switch-disconnector	10	EXP12X250	1SCA022325R6980	Shaft	20
OTDC16FT2	1SCA123839R1001	DC switch-disconnector	11	EXP12X250	1SCA022325R6980	Shaft	20
OTDC16FT3	1SCA123840R1001	DC switch-disconnector	11	EXP12X250-45	1SCA022293R9400	Shaft	21
OTDC16FT4	1SCA123841R1001	DC switch-disconnector	11	EXP12X280	1SCA022137R5140	Shaft	20
OTDC200E02	1SCA123687R1001	DC switch-disconnector	12	EXP12X280	1SCA022137R5140	Shaft	20
OTDC200U02	1SCA126123R1001	DC switch-disconnector	13	EXP12X280	1SCA022137R5140	Shaft	20
OTDC200U11	1SCA123767R1001	DC switch-disconnector	13	EXP12X280-45	1SCA022382R0800	Shaft	21
OTDC200US02	1SCA126121R1001	DC switch-disconnector	13	EXP12X325	1SCA022042R5810	Shaft	20
OTDC200US11	1SCA125436R1001	DC switch-disconnector	13	EXP12X325	1SCA022042R5810	Shaft	20
OTDC250E02	1SCA125866R1001	DC switch-disconnector	12	EXP12X325	1SCA022042R5810	Shaft	20
OTDC25F2	1SCA121455R1001	DC switch-disconnector	10	EXP12X325-45	1SCA022304R4450	Shaft	21
OTDC25F3	1SCA121458R1001	DC switch-disconnector	10	EXP12X395	1SCA022042R5990	Shaft	20
OTDC25F4	1SCA121462R1001	DC switch-disconnector	10	EXP12X395	1SCA022042R5990	Shaft	20
OTDC25FT2	1SCA123842R1001	DC switch-disconnector	11	EXP12X395-45	1SCA022749R0640	Shaft	21
OTDC25FT3	1SCA123843R1001	DC switch-disconnector	11	EXP12X465	1SCA022042R6020	Shaft	20
OTDC25FT4	1SCA123844R1001	DC switch-disconnector	11	EXP12X465	1SCA022042R6020	Shaft	20
OTDC32F2	1SCA121456R1001	DC switch-disconnector	10	EXP12X465	1SCA022042R6020	Shaft	20
OTDC32F3	1SCA121459R1001	DC switch-disconnector	10	EXP12X465-45	1SCA022423R1770	Shaft	21
OTDC32F4	1SCA121463R1001	DC switch-disconnector	10	EXP12X535	1SCA022042R6110	Shaft	20
OTDC32FT2	1SCA123845R1001	DC switch-disconnector	11	EXP12X535	1SCA022042R6110	Shaft	20
OTDC32FT3	1SCA123846R1001	DC switch-disconnector	11	EXP12X535	1SCA022042R6110	Shaft	20
OTDC32FT4	1SCA123847R1001	DC switch-disconnector	11	EXP12X535-45	1SCA022723R2940	Shaft	21
OTDCB250/6	1SCA125532R1001	Phase separator	21	EXP6X130	1SCA022057R0570	Shaft	19
OTDCP16S11M	1SCA125129R1001	Plastic enclosed DC switch-disconnector	14	EXP6X130-45	1SCA022355R9110	Shaft	21
OTDCP16S12M	1SCA125153R1001	Plastic enclosed DC switch-disconnector	14	EXP6X150	1SCA022295R5600	Shaft	19
OTDCP16S22M	1SCA125095R1001	Plastic enclosed DC switch-disconnector	14	EXP6X150-45	1SCA022294R4400	Shaft	21
OTDCP16SA11M	1SCA125126R1001	Plastic enclosed DC switch-disconnector	14	EXP6X161	1SCA022067R1760	Shaft	19
OTDCP16SA12M	1SCA125150R1001	Plastic enclosed DC switch-disconnector	14	EXP6X210	1SCA022295R6080	Shaft	19
OTDCP16SA22M	1SCA125094R1001	Plastic enclosed DC switch-disconnector	14	EXP6X210-45	1SCA022294R4230	Shaft	21
OTDCP25S11M	1SCA125130R1001	Plastic enclosed DC switch-disconnector	14	EXP6X290	1SCA022042R6370	Shaft	19
OTDCP25S12M	1SCA125154R1001	Plastic enclosed DC switch-disconnector	14	EXP6X290-45	1SCA022304R4290	Shaft	21
OTDCP25S22M	1SCA125092R1001	Plastic enclosed DC switch-disconnector	14	OXS6X105	1SCA108043R1001	Shaft	19
OTDCP25SA11M	1SCA125127R1001	Plastic enclosed DC switch-disconnector	14	OXS6X120	1SCA101654R1001	Shaft	19
OTDCP25SA12M	1SCA125151R1001	Plastic enclosed DC switch-disconnector	14	OXS6X130	1SCA101655R1001	Shaft	19
OTDCP25SA22M	1SCA125091R1001	Plastic enclosed DC switch-disconnector	14	OXS6X160	1SCA101656R1001	Shaft	19
OTDCP32S11M	1SCA125131R1001	Plastic enclosed DC switch-disconnector	14	OXS6X180	1SCA101659R1001	Shaft	19
OTDCP32S12M	1SCA125155R1001	Plastic enclosed DC switch-disconnector	14	OXS6X250	1SCA101660R1001	Shaft	19
OTDCP32S22M	1SCA125093R1001	Plastic enclosed DC switch-disconnector	14	OXS6X330	1SCA101661R1001	Shaft	19
OTDCP32SA11M	1SCA125128R1001	Plastic enclosed DC switch-disconnector	14	OXS6X85	1SCA101647R1001	Shaft	19
OTDCP32SA12M	1SCA125152R1001	Plastic enclosed DC switch-disconnector	14	OXT20x210X	1SCA103684R1001	Shaft tube	22
OTDCP32SA22M	1SCA125090R1001	Plastic enclosed DC switch-disconnector	14				

Contact us

ABB Oy

Breakers and Switches

P.O. Box 622

FI-65101 Vaasa, Finland

Phone: +358 10 22 11

Fax: +358 10 22 45708

E-Mail: firstname.surname@fi.abb.com

www.abb.com

The technical data and dimensions are valid at the time of printing. We reserve the right to subsequent alterations.



Catalogue OT40GB 12-07 1SCC301009K0201

Produced by: A&V Insinööri Oy / Tekninen viestintä, Vaasa, Finland