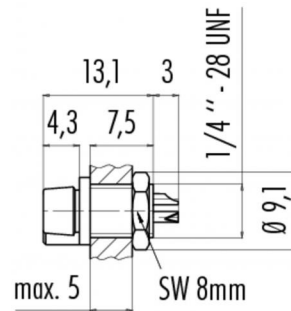


Product description **Contacts: 3, female panel mount connector, solder**  
Area **Snap-in IP40 Series 709/719**  
Order number **09 9750 30 03**

### Illustration



### Scale drawing



### Contact arrangement



	X	Y
1	-1,20	-0,70
2	0,00	1,40
3	1,20	-0,70

**You can find the component part drawing and assembly instructions on the next page.**

## Technical data

### General values

Connector design female panel mount connector  
Connector locking system snap  
Termination solder  
Wire gauge (mm) 0,25 mm<sup>2</sup>  
Wire gauge (AWG) 24  
Upper limit temperature 70 °C  
Lower limit temperature -25 °C

### Electrical values

Rated current (40 °C) 3 A  
Rated voltage 60 V  
Rated impulse voltage 800 V  
Pollution degree 1  
Overvoltage category II  
Insulating material group III  
Volume resistivity ≤ 3 mΩ  
Insulation resistance ≥ 10<sup>10</sup>Ω  
EMC compliance Shielding is not possible  
Degree of protection IP40  
Mechanical operation > 100 Mating cycles

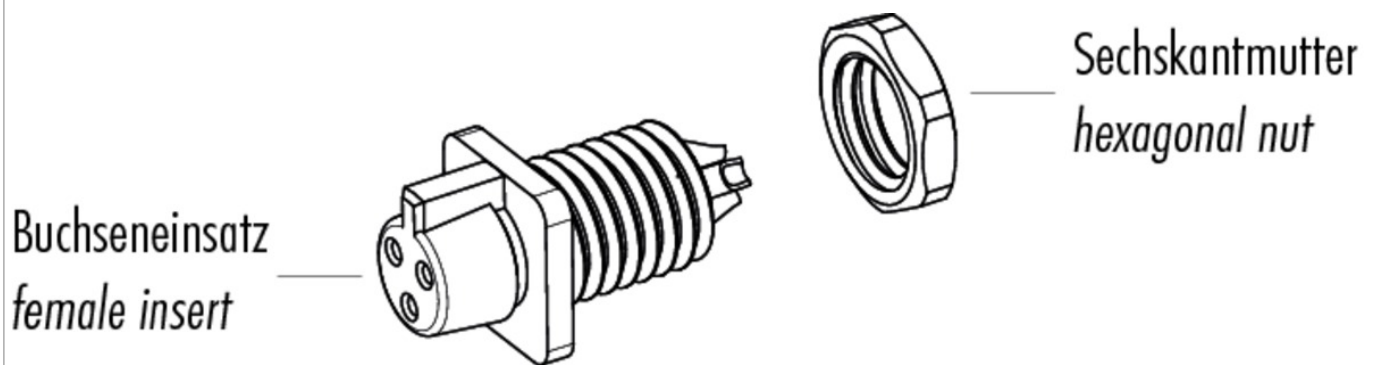
### Material

Contact material CuSn (bronze)  
Contact plating Au (gold)  
Contact body material PA

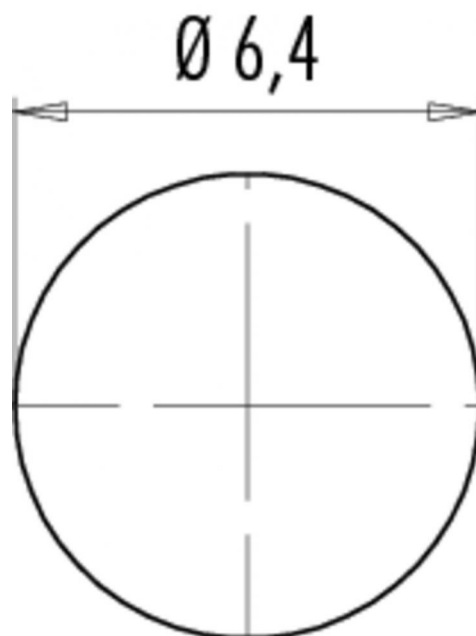
Product description      **Contacts: 3, female panel mount connector, solder**

Area                              **Snap-in IP40 Series 709/719**  
Order number                **09 9750 30 03**

Component part drawing



Assembly instructions / Panel cut-out



Product description      **Contacts: 3, female panel mount connector, solder**

Area      **Snap-in IP40 Series 709/719**  
Order number      **09 9750 30 03**

## Security notices

The connectors are designed for use in plant, control system and electrical equipment. The end user is responsible for checking whether the connectors are suitable for use in other applications.