

- Rated Current: 12A max
- Splashproof Solution for Single Position
- Available in Wire-to-Wire Option
- True Crimp and Poke Solution with various sized wire seals available
- Available with wire already installed
- Splash Proof Grade IP52 (JIS C0920) Certified



### Specifications:

Rated Voltage	300V
Rated Current	12A max
Withstanding Voltage	1700V AC (rms)
Contact Resistance	10 mΩ max
Insulation Resistance	1000 MΩ min./DC500V
Temperature Range	-40°C to +105°C

### Materials:

Housing	PBT, UL 94V-0
Contact	Ph. Brz. or Brass
Contact Plating	Tin Plating
Wire Seal	Silicone Rubber

\*\*Crimp Contacts are also available in strips of 40pcs. Contact EDAC for more information.

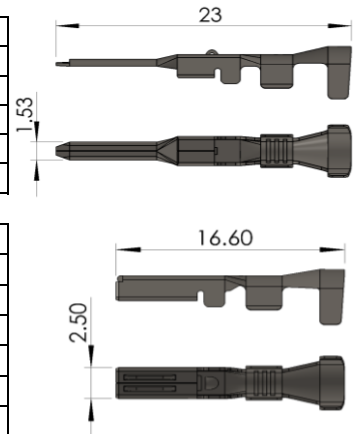
### Wire Seal:

Part No.	Wire O.D.	Color	AWG#	Ø Dia.	Height
570-260-001	Ø1.7~Ø2.1	Black	22	Ø 5.0	6.0
570-260-002	Ø2.1~Ø2.7	Light Blue	22-20	Ø 5.0	6.0
570-260-003	Ø2.1~Ø2.7	Blue	22-20	Ø 5.0	6.7
570-260-004	Ø2.7~Ø3.1	Brown	20-14	Ø 4.9	5.0

### Crimp Contact:

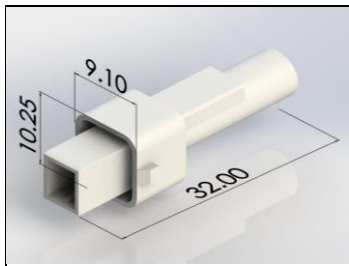
Male Contact (Pin)			
Part No (Material)	AWG#	Ins. Dia.	Pcs/Reel
570-290-751 (Brass)	14	Max. Ø3.1	4,000
570-291-731 (Ph. Brz.)	20-16	Max. Ø3.1	4,000
570-290-731 (Brass)	20-16	Max. Ø3.1	4,000
570-290-711 (Brass)	22-20	Max. Ø2.7	4,000

Female Contact (Socket)			
Part No (Material)	AWG#	Ins. Dia.	Pcs/Reel
570-290-761 (Brass)	14	Max. Ø3.1	4,000
570-291-741 (Ph. Brz.)	20-16	Max. Ø3.1	4,000
570-290-741 (Brass)	20-16	Max. Ø3.1	4,000
570-291-721 (Ph. Brz.)	22-20	Max. Ø2.7	4,000
570-290-721 (Brass)	22-20	Max. Ø2.7	4,000



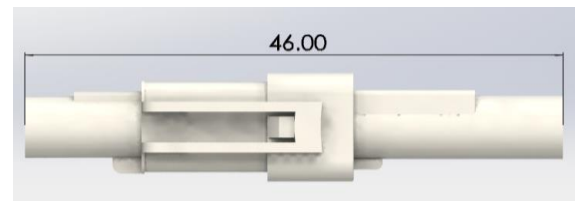
### Ordering Guide:

568-001-000-100

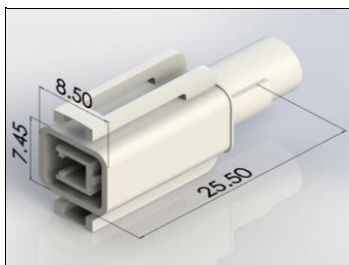


### Male Housing:

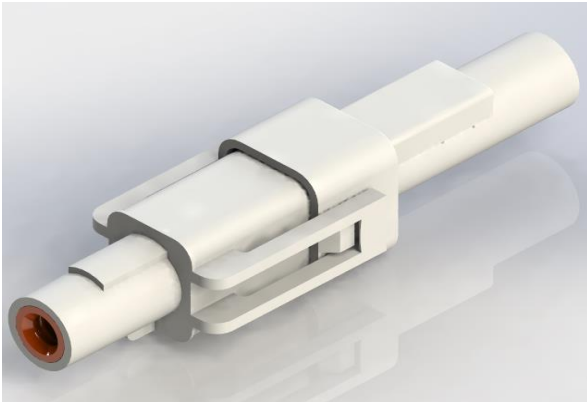
### Assembly Layout



568-001-000-200



### Female Housing:



- **Rated Current: 12A max**
- **Splashproof Solution for Single Position**
- **Available in Wire-to-Wire Option**
- **True Crimp and Poke Solution with various sized wire seals available**
- **Available with wire already installed**
- **Splash Proof Grade IP52 (JIS C0920) Certified**



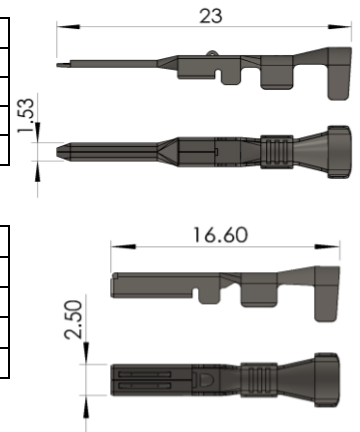
### Specifications:

Insulator Material	<b>PBT, UL 94V-0</b>
Contact Material	<b>Brass</b>
Contact Plating	<b>Tin Plating</b>
Seal	<b>Silicone Rubber</b>
Rated Voltage	<b>300V</b>
Rated Current	<b>12A max</b>
Withstanding Voltage	<b>1700V AC (rms)</b>
Contact Resistance	<b>10 mΩ max</b>
Insulation Resistance	<b>1000 MΩ min</b>
Temperature Range	<b>-40°C to +105°C</b>

### Crimp Contact Terminal:

Male Terminal (Pin)		
Part No (Material)	AWG#	Pcs/Reel
570-290-751 (Brass)	14	4,000
570-290-731 (Brass)	20-16	4,000
570-290-711 (Brass)	22-20	4,000

Female Terminal (Socket)		
Part No (Material)	AWG#	Pcs/Reel
570-290-761 (Brass)	14	4,000
570-290-741 (Brass)	20-16	4,000
570-290-721 (Brass)	22-20	4,000



### Wire Seal:

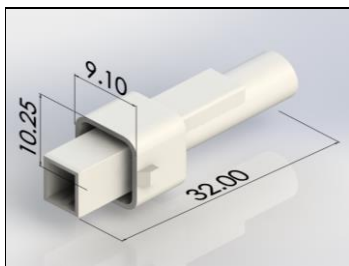
Part No.	Wire O.D.	Color	AWG#
570-260-001	Ø1.7~Ø2.1	Black	22
570-260-002	Ø2.1~Ø2.7	Light Blue	22-20
570-260-003	Ø2.1~Ø2.7	Blue	22-20
570-260-004	Ø2.7~Ø3.1	Brown	20-14



\*\*Terminals are also available in strips of 50pcs. Contact EDAC for more information.

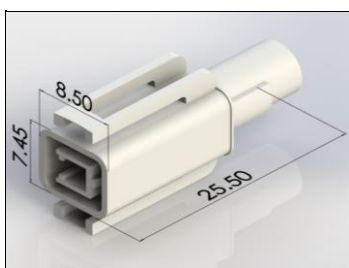
### Ordering Guide:

568-001-000-100



Male Housing:

568-001-000-200



Female Housing:

Assembly Layout

