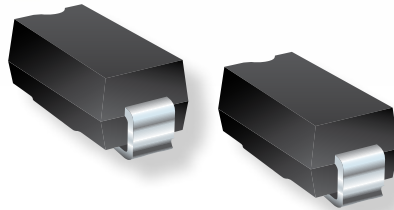


Product Change Notification

CHIP DIODES



April, 2016

Change of Packaging to Plastic Reel Material for Bourns® Chip Diodes

In order to standardize packaging of Bourns® Chip Diodes, the reel material will be changed from paper to plastic. The new plastic reel is EIA 481 standard compliant. The inner diameter of the reel will change from 75 mm to 100 mm and the weight of the reel will change from 253 g to 246 g for the SMA/SMB package, or 207 g for the SMC package.

The change in the reel material will have no effect on form, fit, function, quality or reliability of the Bourns® Chip Diodes themselves.

Affected Model Series

1.5SMC Series	P6SMB Series
CD214A Series	SMAJ Series
CD214B Series	SMBJ Series
CD214C Series	SMCJ Series
CD214L-T Series	SMLJ Series
P4SMA Series	

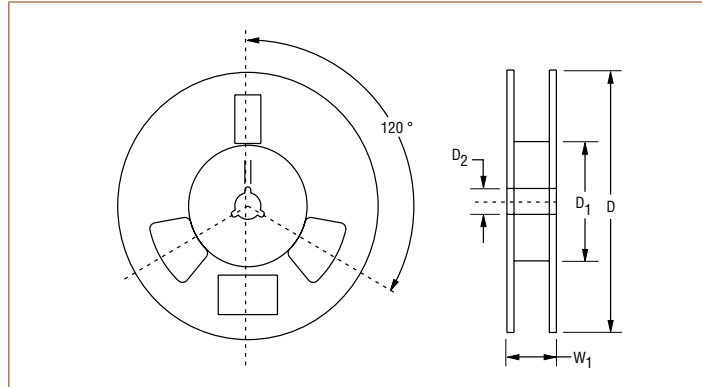
Implementation dates are as follows:

*Bourns will begin phasing in the new plastic reel material: **November 1, 2016***

*First date code using the above changes: **1638***

If you have any questions or need additional information, please feel free to contact [Customer Service/ Inside Sales](#).

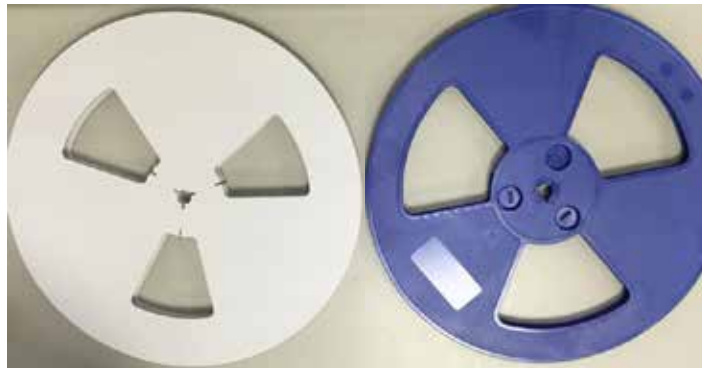
Reel Dimensions:



**SMA/SMB
12 mm**

Current Paper Reel

New Plastic Reel

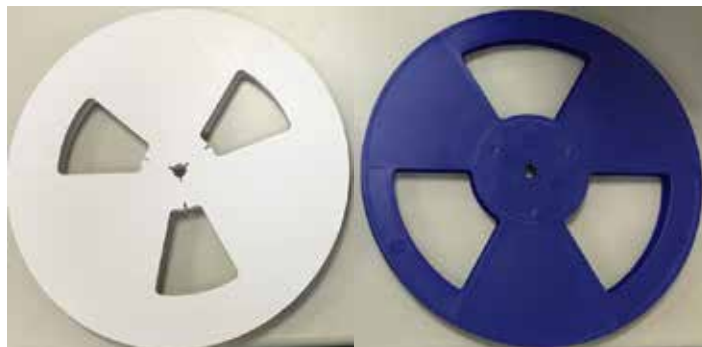


D	330 mm	330 mm
D ₁	75 mm	100 mm
W ₁	17 mm	17 mm
D ₂	13 mm	13 mm
Weight	253 g	246 g

**SMC
16 mm**

Current Paper Reel

New Plastic Reel



D	330 mm	330 mm
D ₁	75 mm	100 mm
W ₁	21 mm	21 mm
D ₂	13 mm	13 mm
Weight	253 g	207 g