

Product information

92 11 02

Positioning Tweezers

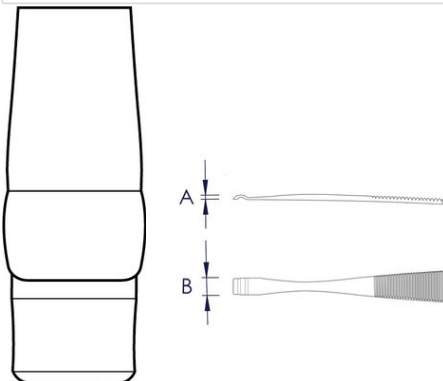


- Makes it easy to hold, insert and pull even the smallest elongated components
- With gripping surfaces in dimensionally adapted designs, for example for firmly and securely positioning or pulling sensitive rounded or cuboid components
- For through-hole technology (THT) and pin-in-hole technology (PIH)
- Antimagnetic to avoid electromagnetic damage
- Stainless steel



General	
Article No.	92 11 02
Reference number	5572.SA.B
EAN	4003773085034
Material	stainless steel
Gripping surfaces	smooth gripping surfaces
Weight	14 g
Dimensions	145 x 11 x 16.5 mm
REACH compliant	does not contain SVHC
RoHS compliant	not applicable

Technical details	
Surface	matt finish
Finish	straight
Tips width (A)	2.8 mm
Tips width (B)	5.5 mm
Corrosion-resistant	yes
Acid resistance	very good
ESD-tested	no
VDE tested	no
Sectors	electronics
Magnetic	non-magnetisable (80%)



technical change and errors excepted