

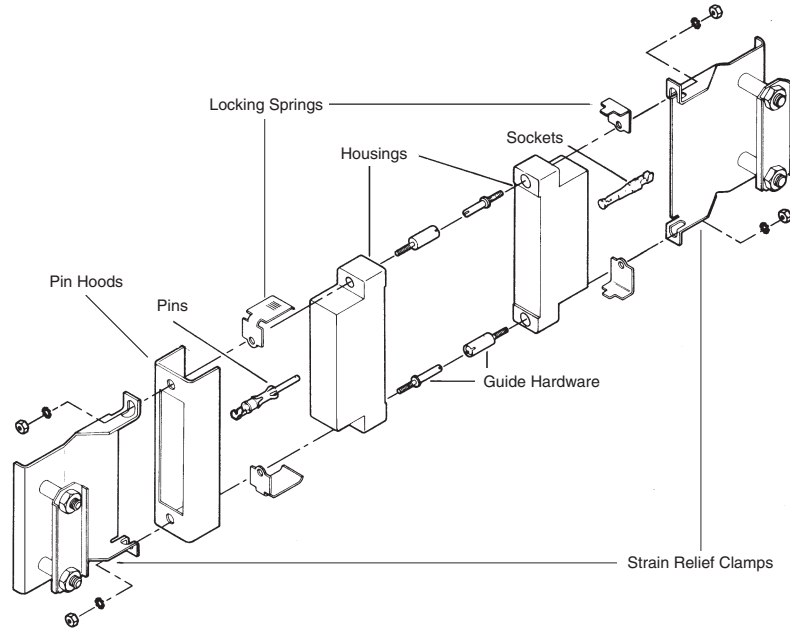
Cable-to-Cable Selection Guide

Application

A

Featured Hardware

- Strain Relief Clamps
- Locking Springs
- Pin Hoods
- Guide Hardware



| Component Description | | Number of Positions | | | | |
|---|--|---------------------|----------|----------|-----------------------------|------------|
| | | 6 | 14 | 20 | 26 | 34 |
| STANDARD HOUSINGS Pages 9234 to 9241 | Plug Block Receptacle Block } Phenolic | 202758-1 | 201355-1 | 201356-1 | 201359-1 | 1-201357-1 |
| | | 202757-1 | 201298-1 | 200346-2 | 200512-2 | 200838-2 |
| | Plug Block Receptacle Block } Diallyl Phthalate | 202758-3 | — | 201356-3 | 201359-3 | 201357-3 |
| | | 202757-3 | 201298-3 | 200346-4 | 200512-3 | 200838-3 |
| Plug Block Receptacle Block } Polyester | — | — | — | — | 2013800-1 | |
| | — | — | — | — | 200802-1 | |
| STRAIN RELIEF CLAMPS Page 9262 | Long } Nickel Plated Steel | — | 201843-1 | — | 201845-1 | 201846-1 |
| | | 203432-1 | 200686-1 | — | 201229-1 | — |
| | Long } Stainless Steel | — | — | — | — | — |
| | | — | — | 201237-1 | — | 201224-1 |
| GUIDE HARDWARE Page 9255 | Centre Male } Stainless Steel | 200389-2 | 200389-2 | 200389-2 | 200389-2 | 200389-2 |
| | Centre Female } Stainless Steel | 200390-2 | 200390-2 | 200390-2 | 200390-2 | 200390-2 |
| | Corner Male } Stainless Steel | — | — | — | — | 200833-2 |
| | Corner Female } Stainless Steel | — | — | — | — | 200835-2 |
| | — | — | — | — | — | — |
| LOCKING SPRINGS¹ Page 9254 | Male—Nickel Plated Spring Steel | 201921-1 | 201921-1 | 201921-1 | 201923-1 | 201925-1 |
| | Female—Stainless Steel | 201922-1 | 201922-1 | 201922-1 | 201918-1 (Single Spring) | 201926-1 |
| PIN HOODS Pages 9256 and 9257 | Internal Open End } Nickel Plated Steel | 204258-6 | 201363-4 | — | 201785-4 | 201786-4 |
| | Internal Closed End } Nickel Plated Steel | — | — | — | — | — |
| | External Closed End } Al Iridite | — | — | — | — | — |
| | External Closed End } Nickel Plated Steel | — | — | — | — | — |

¹ Each part number contains two locking springs. Order one male and one female for each mated pair of connectors.

Cable-to-Cable Selection Guide

1. Confirm that **Application A** (at left) most closely meets your requirements. (Other applications are shown on pages 9220-9233.)
2. Find the appropriate column for the number of positions required.
3. Select part numbers required for the application listed in the column below the number of positions.

If a part number is not listed for a particular item, it is not available.

If more than one part number is listed for a particular hardware item, choose the one which best fits your application.
4. Dimensional information is available on the indicated pages under description column.
5. Select Contacts: Type II (page 9153), Type III+ (pages 9150-9152) or Subminiature Coaxial (pages 9154-9155).

Special application housings may be substituted for these standard housings. See Special Application Section.

This cable-to-cable application utilises locking springs, strain relief clamps, a pin hood for pin protection and guide hardware.

The 34 and 50 position connectors can be used with either centre or corner guide hardware. If centre guide hardware is used, an additional four 4-40 screws, nuts and lockwashers are required to secure the locking springs. Corner guides require four guide pins and four guide sockets for each mated pair of connectors.

| Number of Positions | | | | | | Component Description | | |
|---------------------|----------|----|-----|------------|--------|--|---------------------|--|
| 41 | 50 | 75 | 104 | 104 CF | 160 CF | | | |
| 202135-2 | 201358-1 | — | — | — | — | Plug Block Receptacle Block | Phenolic | STANDARD HOUSINGS Pages 9234 to 9241 |
| 201302-1 | 200277-2 | — | — | — | — | | | |
| 202135-4 | 201358-3 | — | — | — | — | Plug Block Receptacle Block | Diallyl Phthalate | |
| 201302-3 | 200277-4 | — | — | — | — | | | |
| — | — | — | — | 1-201692-6 | — | Plug Block Receptacle Block | Polyester | |
| — | — | — | — | — | — | | | |
| — | 201182-1 | — | — | — | — | Long Short | Nickel Plated Steel | |
| 201766-1 | 201847-1 | — | — | — | — | | | |
| — | — | — | — | — | — | Long Short | Stainless Steel | |
| 200389-2 | 200389-2 | — | — | — | — | | | |
| 200390-2 | 200390-2 | — | — | — | — | Centre Male Centre Female Corner Male Corner Female | Stainless Steel | |
| — | 200833-2 | — | — | — | — | | | |
| — | 200835-2 | — | — | — | — | | | |
| 201921-1 | 201925-1 | — | — | — | — | | | |
| 201922-1 | 201926-1 | — | — | — | — | Male—Nickel Plated Spring Steel | Stainless Steel | LOCKING SPRINGS¹ Page 9254 |
| — | — | — | — | — | — | Female—Stainless Steel | | |
| — | — | — | — | — | — | Internal Open End | Nickel Plated Steel | PIN HOODS Pages 9256 and 9257 |
| — | — | — | — | — | — | Internal Closed End | Nickel Plated Steel | |
| — | — | — | — | — | — | External Closed End | Al Iridite | |
| — | — | — | — | — | — | External Closed End | Nickel Plated Steel | |

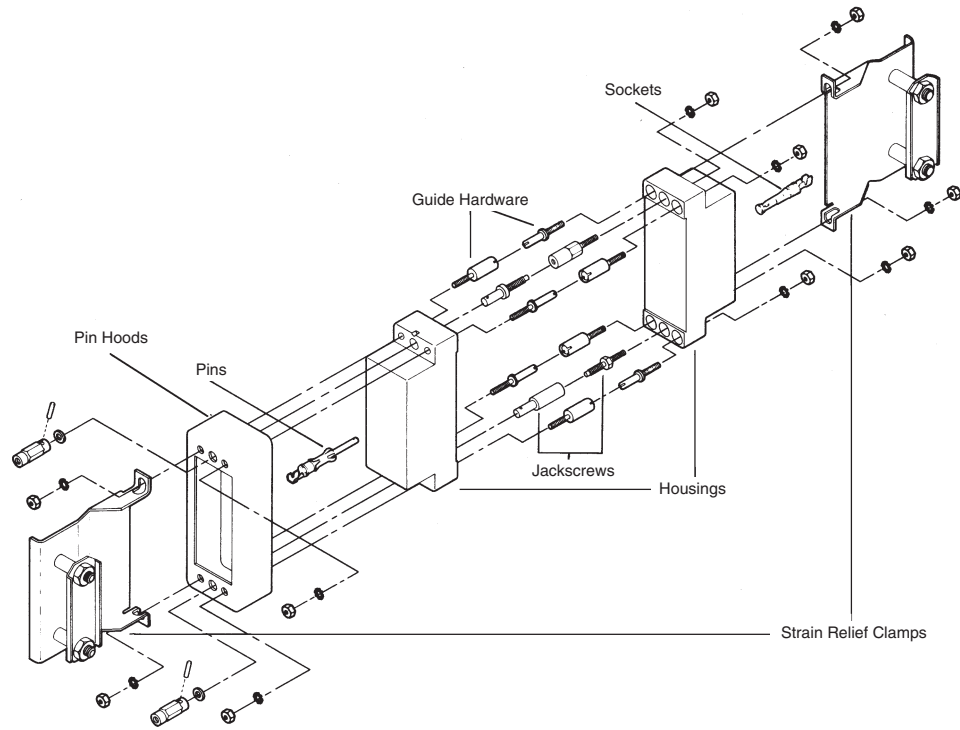
Cable-to-Cable Selection Guide

Application

B

Featured Hardware

- Strain Relief Clamps
- Pin Hoods
- Jackscrews
- Guide Hardware



| Component Description | | | Number of Positions | | | | |
|--|--|---|---------------------|----------|----------|----------|------------|
| | | | 6 | 14 | 20 | 26 | 34 |
| STANDARD HOUSINGS Pages 9234-9241 | Plug Block Receptacle Block | Phenolic | 202758-1 | 201355-1 | 201356-1 | 201359-1 | 1-201357-1 |
| | | | 202757-1 | 201298-1 | 200346-2 | 200512-2 | 200838-2 |
| | Plug Block Receptacle Block | Diallyl Phthalate | 202758-3 | — | 201356-3 | 201359-3 | 201357-3 |
| | | | 202757-3 | 201298-3 | 200346-4 | 200512-3 | 200838-3 |
| Plug Block Receptacle Block | Polyester | — | — | — | — | 213800-1 | |
| | | — | — | — | — | 213802-1 | |
| STRAIN RELIEF CLAMPS Page 9262 | Long Short | Nickel Plated Steel | — | 201843-1 | — | 201845-1 | 201846-1 |
| | | | 203432-1 | 200686-1 | — | 201229-1 | — |
| | Long Short | Stainless Steel | — | — | — | — | — |
| | | | — | — | 201237-1 | — | 201224-1 |
| JACKSCREWS¹ Pages 9252-9253 | Fixed Male Fixed Female | Stainless Steel | 201092-1 | 201092-1 | 201092-1 | 201092-1 | 201092-1 |
| | | | 201089-1 | 201089-1 | 201089-1 | 201089-1 | 201089-1 |
| | Long-Long Male Long-Long Female Long Male Long Female Short-Short Male Short-Short Female | Tip: Stainless Steel Body: Die Cast Zinc | — | — | — | — | — |
| | | | — | — | — | — | — |
| | | | — | — | — | — | — |
| | | | 201827-1 | 201827-1 | 201827-1 | 201827-1 | 201827-1 |
| | | | 201828-1 | 201828-1 | 201828-1 | 201828-1 | 201828-1 |
| GUIDE HARDWARE Page 9255 | Centre Male Centre Female Corner Male Corner Female | Stainless Steel | — | — | — | — | — |
| | | | — | — | — | — | — |
| | | | — | — | — | — | 200833-2 |
| | | | — | — | — | — | 200835-2 |
| PIN HOODS Pages 9256-9257 | Internal Open End Internal Closed End | Nickel Plated Steel | 204258-6 | 201363-4 | — | 201785-4 | 201786-4 |
| | | | — | — | — | — | 202434-4 |
| | External Closed End External Closed End | Al Iridite Nickel Plated Steel | — | — | — | 201349-2 | 201350-2 |
| | | | — | — | — | — | — |

¹ Listed Jackscrews have 6-32 single lead threads. For corresponding Jackscrews with 6-32 double lead threads, refer to pages 9252 and 9253.

Cable-to-Cable Selection Guide

1. Confirm that **Application B** (at left) most closely meets your requirements. (Other applications are shown on pages 9218-9219 and 9222 through 9233.)
2. Find the appropriate column for the number of positions required.
3. Select part numbers required for the application listed in the column below the number of positions.

If a part number is not listed for a particular item, it is not available.

If more than one part number is listed for a particular hardware item, choose the one which best fits your application.
4. Dimensional information is available on the indicated pages under description column.
5. Select Contacts: Type II (page 9153), Type III+ (pages 9150-9152) or Subminiature Coaxial (pages 9154-9155).

Special application housings may be substituted for these standard housings. See Special Application Section.

This cable-to-cable application utilises jackscrews, strain relief clamps and guide hardware. A pin hood is provided for pin protection. Sizes 6, 14, 20, 26, and 41 **do not** use guide hardware with this application.

| Number of Positions | | | | | | Component Description | | |
|---------------------|----------|----------|----------|------------|--------|--|---|---|
| 41 | 50 | 75 | 104 | 104 CF | 160 CF | | | |
| 202135-2 | 201358-1 | 201310-1 | 201345-1 | — | — | Plug Block Receptacle Block | } Phenolic | STANDARD HOUSINGS Pages 9234-9241 |
| 201302-1 | 200277-2 | 201311-1 | 201037-1 | — | — | | | |
| 202135-4 | 201358-3 | 201310-3 | 201345-2 | — | — | Plug Block Receptacle Block | } Diallyl Phthalate | |
| 201302-3 | 200277-4 | 201311-3 | — | — | — | | | |
| — | — | — | — | 1-201692-6 | | Plug Block Receptacle Block | } Polyester | |
| — | — | — | — | — | — | | | |
| — | — | — | 201849-1 | — | — | Long Short | } Nickel Plated Steel | |
| — | 201182-1 | 200730-1 | — | — | — | | | |
| 201766-1 | 201847-1 | 201848-1 | — | — | — | Long Short | } Stainless Steel | |
| — | — | — | — | — | — | | | |
| 201092-1 | 201092-1 | 201092-1 | 201092-1 | — | — | Fixed Male Fixed Female | } Stainless Steel | |
| 201089-1 | 201089-1 | 201089-1 | 201089-1 | — | — | | | |
| — | — | — | — | — | — | Long-Long Male Long-Long Female Long Male Long Female Short-Short Male Short-Short Female | } Tip: Stainless Steel Body: Die Cast Zinc | JACKSCREWS¹ Pages 9252 and 9253 |
| — | — | — | — | — | — | | | |
| — | — | — | — | — | — | | | |
| — | — | — | — | — | — | | | |
| 201827-1 | 201827-1 | 201827-1 | 201827-1 | — | — | | | |
| 201828-1 | 201828-1 | 201828-1 | 201828-1 | — | — | | | |
| — | — | — | — | — | — | Centre Male Centre Female Corner Male Corner Female | } Stainless Steel | GUIDE HARDWARE Page 9255 |
| — | 200833-2 | 201046-2 | 201046-2 | — | — | | | |
| — | 200835-2 | 201047-2 | 201047-2 | — | — | | | |
| — | — | — | — | — | — | Internal Open End | Nickel Plated Steel | PIN HOODS Pages 9256 and 9257 |
| — | 202394-2 | 201369-4 | 201364-4 | — | — | Internal Closed End | Nickel Plated Steel | |
| — | — | — | — | — | — | External Closed End | Al Iridite | |
| — | 201390-5 | 201368-4 | 201346-4 | — | — | External Closed End | Nickel Plated Steel | |

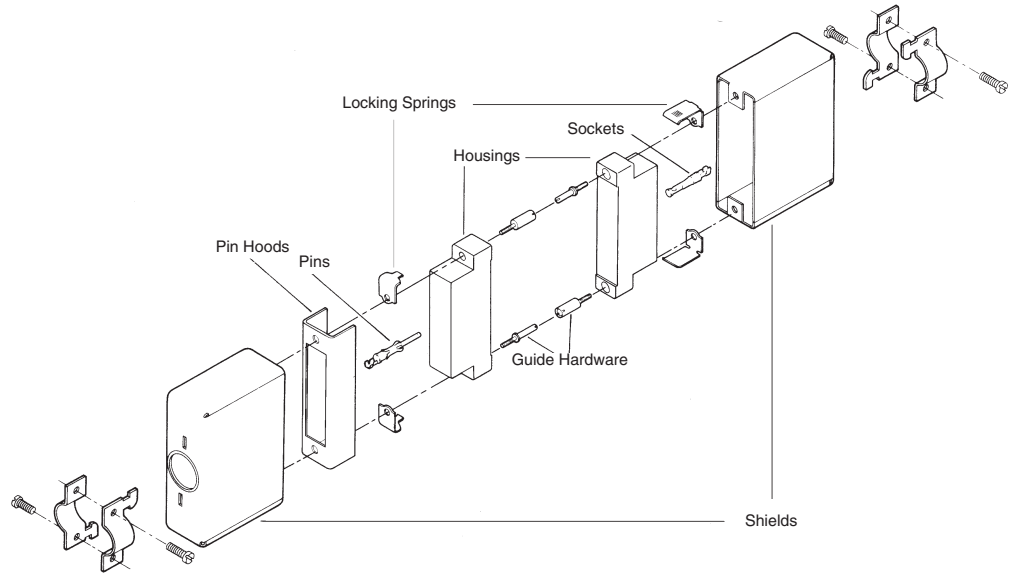
Cable-to-Cable Selection Guide

Application

C

Featured Hardware

- Shields (One-piece)
- Pin Hoods
- Locking Springs
- Guide Hardware



| Component Description | | Number of Positions | | | | | | |
|---|---------------------------------|----------------------------------|---------------------|----------|----------|----------|------------|---|
| | | 6 | 14 | 20 | 26 | 34 | | |
| STANDARD HOUSINGS Pages 9234-9241 | Plug Block | Phenolic | — | 201355-1 | 201356-1 | 201359-1 | 1-201357-1 | |
| | Receptacle Block | | — | 201298-1 | 200346-2 | 200512-2 | 200838-2 | |
| | Plug Block | Diallyl Phthalate | — | — | 201356-3 | 201359-3 | 201357-3 | |
| | Receptacle Block | | — | 201298-3 | 200346-4 | 200512-3 | 200838-3 | |
| | Plug Block | Polyester | — | — | — | — | 213800-1 | |
| | Receptacle Block | | — | — | — | — | 213802-1 | |
| SHIELDS Pages 9258-9261 | 180° Two-Piece Long | Al Anodised Zinc Plated Steel | — | — | — | — | — | |
| | 180° Two-Piece Short | | — | — | — | — | — | |
| | | Al Anodised Zinc Plated Steel | — | — | — | — | — | |
| | | | — | — | — | — | — | |
| | | Zinc Plated Cast Al | — | — | — | — | — | |
| | | | — | — | — | — | — | |
| | | 90° Two-Piece Long | Nickel Plated Steel | — | — | — | — | — |
| | | 90° Two-Piece Short | | — | — | — | — | — |
| | | 45° Two-Piece Short | | — | — | — | — | — |
| | | 45° Two-Piece Deep | | — | — | — | — | — |
| | 180° One-Piece Long | — | | 201378-2 | — | — | 201384-2 | |
| | 180° One-Piece Short | — | | 201360-2 | 201227-2 | 201169-2 | 201165-2 | |
| | 90° One-Piece Short | — | 201467-2 | 201460-2 | 201468-2 | 201469-2 | | |
| GUIDE HARDWARE Page 9255 | Centre Male | Stainless Steel | — | 200389-2 | 200389-2 | 200389-2 | 200389-2 | |
| | Centre Female | | — | 200390-2 | 200390-2 | 200390-2 | 200390-2 | |
| | Corner Male | | — | — | — | — | 200833-2 | |
| | Corner Female | | — | — | — | — | 200835-2 | |
| LOCKING SPRINGS¹ Page 9254 | Male—Nickel Plated Spring Steel | — | 201921-1 | 201921-1 | 201923-1 | 201925-1 | | |
| | Female—Stainless Steel | — | 201922-1 | 201922-1 | — | 201926-1 | | |
| PIN HOODS Pages 9256-9257 | Internal Open End | Nickel Plated Steel | — | 201363-4 | — | 201785-4 | 201786-4 | |
| | Internal Closed End | Nickel Plated Steel | — | — | — | — | — | |
| | External Closed End | Al Iridite | — | — | — | — | — | |
| | External Closed End | Nickel Plated Steel | — | — | — | — | — | |

¹ Each part number contains two locking springs. Order one male and one female for each mated pair of connectors.

Cable-to-Cable Selection Guide

1. Confirm that **Application C** (at left) most closely meets your requirements. (Other applications are shown on pages 9218-9221 and 9224-9233.)
2. Find the appropriate column for the number of positions required.
3. Select part numbers required for the application listed in the column below the number of positions.

If a part number is not listed for a particular item, it is not available.

If more than one part number is listed for a particular hardware item, choose the one which best fits your application.
4. Dimensional information is available on the indicated pages under description column.
5. Select Contacts: Type II (page 9153), Type III+ (pages 9150-9152) or Subminiature Coaxial (pages 9154-9155).

Special application housings may be substituted for these standard housings. See Special Application Section.

This cable-to-cable application utilises locking springs, one-piece shields, a pin hood for pin protection and guide hardware. The shields are available with both 180° and 90° cable exits. The 180° shields are available in a long version which provides pin protection in lieu of a pin hood.

A short shield and a pin hood or a long shield can be used on one side only of a mated pair of connectors. The mating connector must use a short shield.

The 34 and 50 position connectors can be used with either centre or corner guide hardware. If centre guides are used, an additional four 4-40 screws are required to secure the locking springs. If corner guides are used, an additional two 4-40 screws will be required to attach the shield. Corner guides require four guide pins and four guide sockets for each mated pair of connectors.

| Number of Positions | | | | | | Component Description | | |
|---------------------|----------|----|-----|------------|--------|--|---|--|
| 41 | 50 | 75 | 104 | 104 CF | 160 CF | | | |
| 202135-2 | 201358-1 | — | — | — | — | Plug Block Receptacle Block | Phenolic | STANDARD HOUSINGS Pages 9234-9241 |
| 201302-1 | 200277-2 | — | — | — | — | | | |
| 202135-4 | 201358-3 | — | — | — | — | Plug Block Receptacle Block | Diallyl Phthalate | |
| 201302-3 | 200277-4 | — | — | — | — | | | |
| — | — | — | — | 1-201692-6 | — | Plug Block Receptacle Block | Polyester | |
| — | — | — | — | — | — | | | |
| — | — | — | — | — | — | 180° Two- Piece Long | Al Anodised Zinc Plated Steel | |
| — | — | — | — | — | — | | | |
| — | — | — | — | — | — | 180° Two- Piece Short | Al Anodised Zinc Plated Steel Zinc Plated Cast Al | |
| — | — | — | — | — | — | | | |
| — | — | — | — | — | — | 90° Two-Piece Long 90° Two-Piece Short 45° Two-Piece Short 45° Two-Piece Deep 180° One-Piece Long 180° One-Piece Short 90° One-Piece Short | Nickel Plated Steel | SHIELDS Pages 9258-9261 |
| — | — | — | — | — | — | | | |
| — | — | — | — | — | — | | | |
| — | — | — | — | — | — | | | |
| — | — | — | — | — | — | | | |
| — | — | — | — | — | — | | | |
| 201486-2 | 201470-2 | — | — | — | — | Centre Male Centre Female Corner Male Corner Female | Stainless Steel | GUIDE HARDWARE Page 9255 |
| 200389-2 | 200389-2 | — | — | — | — | | | |
| 200390-2 | 200390-2 | — | — | — | — | | | |
| — | 200833-2 | — | — | — | — | | | |
| — | 200835-2 | — | — | — | — | — | — | — |
| 201921-1 | 201925-1 | — | — | — | — | Male—Nickel Plated Spring Steel | | LOCKING SPRINGS¹ Page 9254 |
| 201922-1 | 201926-1 | — | — | — | — | Female—Stainless Steel | | |
| — | — | — | — | — | — | Internal Open End | Nickel Plated Steel | PIN HOODS Pages 9256-9257 |
| — | — | — | — | — | — | Internal Closed End | Nickel Plated Steel | |
| — | — | — | — | — | — | External Closed End | Al Iridite | |
| — | — | — | — | — | — | External Closed End | Nickel Plated Steel | |



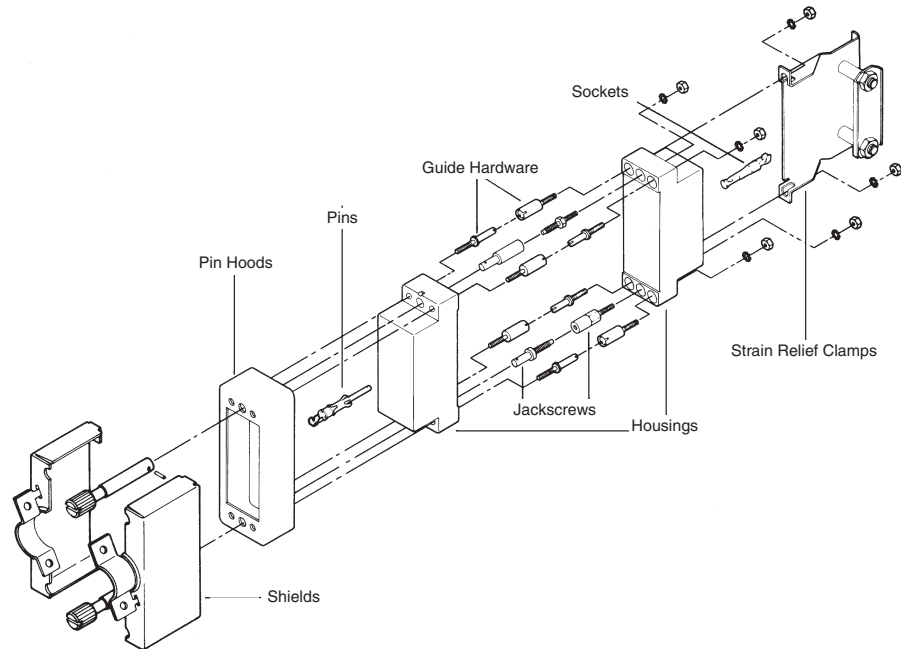
Cable-to-Cable Selection Guide

Application

D

Featured Hardware

- Shields (Two-piece)
- Pin Hoods
- Jackscrews
- Strain Relief Clamps
- Guide Hardware



| Component Description | Number of Positions | | | | | |
|--|---|----|----|----------|----------|------------|
| | 6 | 14 | 20 | 26 | 34 | |
| STANDARD HOUSINGS Pages 9234-9241 | Plug Block Receptacle Block } Phenolic | — | — | 201356-1 | 201359-1 | 1-201357-1 |
| | | — | — | 200346-2 | 200512-2 | 200838-2 |
| | Plug Block Receptacle Block } Diallyl Phthalate | — | — | 201356-3 | 201359-3 | 201357-3 |
| | | — | — | 200346-4 | 200512-3 | 200838-3 |
| SIELDS Pages 9258-9261 | Plug Block Receptacle Block } Polyester | — | — | — | — | 213800-1 |
| | | — | — | — | — | 213802-1 |
| | 180° Two-Piece Long } Al Anodised | — | — | — | 201576-1 | 201571-1 |
| | | — | — | — | 201576-2 | 201571-2 |
| | 180° Two-Piece Short } Al Anodised | — | — | — | — | 200517-1 |
| | | — | — | 204087-1 | 200514-2 | 200517-2 |
| | 90° Two-Piece Long } Nickel Plated Steel | — | — | — | — | — |
| | | — | — | — | — | — |
| | | — | — | — | — | — |
| | | — | — | — | — | — |
| — | | — | — | — | — | |
| — | | — | — | — | — | |
| STRAIN RELIEF CLAMPS Page 9262 | Long } Nickel Plated Steel | — | — | — | 201845-1 | 201846-1 |
| | | — | — | — | 201229-1 | — |
| | Long } Stainless Steel | — | — | 201237-1 | — | — |
| | | — | — | — | — | 201224-1 |
| JACKSCREWS¹ Pages 9252-9253 | Fixed Male } Stainless Steel | — | — | 201092-1 | 201092-1 | 201092-1 |
| | | — | — | 201089-1 | 201089-1 | 201089-1 |
| | Long-Long Male } Tip: Stainless Steel | — | — | — | — | — |
| | | — | — | — | — | — |
| | | — | — | 201413-1 | 201413-1 | 201413-1 |
| | | — | — | 201414-1 | 201414-1 | 201414-1 |
| Short-Short Male } Body: Die Cast Zinc | — | — | — | — | — | |
| | — | — | — | — | — | |
| GUIDE HARDWARE Page 9255 | Centre Male } Stainless Steel | — | — | — | — | — |
| | | — | — | — | — | — |
| | Corner Male } Stainless Steel | — | — | — | — | 200833-2 |
| | | — | — | — | — | 200835-2 |
| PIN HOODS Pages 9256-9257 | Internal Open End } Nickel Plated Steel | — | — | — | — | 201786-4 |
| | Internal Closed End } Nickel Plated Steel | — | — | — | — | 202434-4 |
| | External Closed End } Al Iridite | — | — | — | — | 201350-2 |
| | External Closed End } Nickel Plated Steel | — | — | — | — | — |

¹ Listed Jackscrews have 6-32 single lead threads. For corresponding Jackscrews with 6-32 double lead threads, refer to pages 9252 and 9253.

Cable-to-Cable Selection Guide

1. Confirm that **Application D** (at left) most closely meets your requirements. (Other applications are shown on pages 9218-9223 and 9226-9233.)
2. Find the appropriate column for the number of positions required.
3. Select part numbers required for the application listed in the column below the number of positions.

If a part number is not listed for a particular item, it is not available.

If more than one part number is listed for a particular hardware item, choose the one which best fits your application.
4. Dimensional information is available on the indicated pages under description column.
5. Select Contacts: Type II (page 9153), Type III+ (pages 9150-9152) or Subminiature Coaxial (pages 9154-9155).

Special application housings may be substituted for these standard housings. See Special Application Section.

This cable-to-cable application utilises jackscrews, a two-piece short shield, a strain relief clamp, a pin hood for pin protection and guide hardware.

Do not use a pin hood in combination with the shield for sizes 20, 26 and 41. A long shield may be used in lieu of pin hood for pin protection for all sizes except the 20 position. Shields are available with 180° cable exit and for the 50 through 104 position connectors, a 90° cable exit.

Select the appropriate jackscrew length for the type of shield chosen as indicated by symbol (△▲).

| Number of Positions | | | | | | Component Description | | | |
|---------------------|-----------|-----------|-----------|------------|--------|------------------------------------|---|---|---|
| 41 | 50 | 75 | 104 | 104 CF | 160 CF | | | | |
| 202135-2 | 201358-1 | 201310-1 | 201345-1 | — | — | Plug Block Receptacle Block | } Phenolic | STANDARD HOUSINGS Pages 9234-9241 | |
| 201302-1 | 200277-2 | 201311-1 | 201037-1 | — | — | | | | |
| 202135-4 | 201358-3 | 201310-3 | 201345-2 | — | — | Plug Block Receptacle Block | } Diallyl Phthalate | | |
| 201302-3 | 200277-4 | 201311-3 | — | — | — | | | | |
| — | — | — | — | 1-201692-6 | — | Plug Block Receptacle Block | } Polyester | | |
| — | — | — | — | — | — | | | | |
| — | 201443-1△ | — | — | — | — | 180° Two- Piece Long | } Al Anodised Nickel Plated Steel | | |
| 202383-2 | 201443-2△ | 202713-2▲ | 204173-2▲ | — | — | | | | |
| — | 200532-1△ | — | — | — | — | 180° Two- Piece Short | } Al Anodised Nickel Plated Steel Nickel Plated Cast Al | | |
| 202383-1 | 200532-2△ | 202713-1▲ | 204173-1▲ | — | — | | | | |
| — | — | — | 201131-1△ | — | — | | | | |
| — | 203975-2▲ | 202711-3▲ | — | — | — | 90° Two-Piece Long | } Nickel Plated Steel | SHIELDS Pages 9258-9261 | |
| — | 203975-1▲ | 202711-1▲ | — | — | — | 90° Two-Piece Short | | | |
| — | — | — | — | — | — | 45° Two-Piece Short | | | |
| — | — | — | — | — | — | 45° Two-Piece Deep | | | |
| — | — | — | — | — | — | 180° One-Piece Long | | | |
| — | — | — | — | — | — | 180° One-Piece Short | | | |
| — | — | — | — | — | — | 90° One-Piece Short | | | |
| — | — | — | 201849-1 | — | — | Long Short | } Nickel Plated Steel | STRAIN RELIEF CLAMPS Page 9262 | |
| — | 201182-1 | 200730-1 | — | — | — | | | | |
| 201766-1 | 201847-1 | 201848-1 | — | — | — | Long Short | } Stainless Steel | | |
| — | — | — | — | — | — | | | | |
| 201092-1 | 201092-1 | 201092-1 | 201092-1 | — | — | Fixed Male Fixed Female | } Stainless Steel | JACKSCREWS¹ Pages 9252-9253 | |
| 201089-1 | 201089-1 | 201089-1 | 201089-1 | — | — | | | | |
| — | 207234-1▲ | 207234-1▲ | 207234-1▲ | — | — | Long-Long Male Long-Long Female | } Tip: Stainless Steel Body: Die Cast Zinc | | |
| — | 207235-1▲ | 207235-1▲ | 207235-1▲ | — | — | Long Male | | | |
| 201413-1 | 201413-1△ | 201413-1△ | 201413-1△ | — | — | Long Female | | | |
| 201414-1 | 201414-1△ | 201414-1△ | 201414-1△ | — | — | Short-Short Male | | | |
| — | — | — | — | — | — | Short-Short Female | | | |
| — | — | — | — | — | — | | | | |
| — | — | — | — | — | — | Centre Male Centre Female | } Stainless Steel | | GUIDE HARDWARE Page 9255 |
| — | 200833-2 | 201046-2 | 201046-2 | — | — | Corner Male | | | |
| — | 200835-2 | 201047-2 | 201047-2 | — | — | Corner Female | | | |
| — | — | — | — | — | — | | | | |
| — | 202394-2 | 201369-4 | 201364-4 | — | — | Internal Open End | Nickel Plated Steel | PIN HOODS Pages 9256-9257 | |
| — | — | — | — | — | — | Internal Closed End | Nickel Plated Steel | | |
| — | — | — | — | — | — | External Closed End | Al Iridite | | |
| — | 201390-5 | 201368-4 | 201346-4 | — | — | External Closed End | Nickel Plated Steel | | |