

Ordering number FCN11456_LD1-M2

Family	Leila	FWHM	(simulated) 28
Type	-	Efficiency	(simulated) 0 %
LED	Diamond Dragon	cd/lm	-
Color	White	Gerber File	Available
Diameter	21.6 mm		
Height	15.4 mm		
Style	Round		
Optic Material	PMMA		
Holder Material	PC		
Fastening	Tape		
Status	Ready		

Ordering number FCN10796_LD1-RS

Family	Leila	FWHM	8 degrees
Type	-	Efficiency	(simulated) 0 %
LED	Diamond Dragon	cd/lm	-
Color	White	Gerber File	Available
Diameter	21.6 mm		
Height	15.4 mm		
Style	Round		
Optic Material	PMMA		
Holder Material	PC		
Fastening	Glue		
Status	Ready		

Ordering number FCN10798_LD1-D

Family	Leila	FWHM	14 degrees
Type	-	Efficiency	(simulated) 0 %
LED	Diamond Dragon	cd/lm	-
Color	White	Gerber File	Available
Diameter	21.6 mm		
Height	15.4 mm		
Style	Round		
Optic Material	PMMA		
Holder Material	PC		
Fastening	Glue		
Status	Ready		

Ordering number FCN10795_LD1-M

Family	Leila	FWHM	24 degrees
Type	-	Efficiency	(simulated) 0 %
LED	Diamond Dragon	cd/lm	-
Color	White	Gerber File	Available
Diameter	21.6 mm		
Height	15.4 mm		
Style	Round		
Optic Material	PMMA		
Holder Material	PC		
Fastening	Glue		
Status	Ready		


Ordering number FCN10797_LED1-REC

Family	Leila	FWHM	40+24 degrees
Type	-	Efficiency	(simulated) 0 %
LED	Diamond Dragon	cd/lm	-
Color	White	Gerber File	Available
Diameter	21.6 mm		
Height	15.4 mm		
Style	Round		
Optic Material	PMMA		
Holder Material	PC		
Fastening	Glue		
Status	Ready		


Ordering number FCN11107_LED1-O-90

Family	Leila	FWHM	40+14 degrees
Type	-	Efficiency	(simulated) 0 %
LED	Diamond Dragon	cd/lm	-
Color	White	Gerber File	Available
Diameter	21.6 mm		
Height	15.4 mm		
Style	Round		
Optic Material	PMMA		
Holder Material	PC		
Fastening	Glue		
Status	Ready		

NOTE: The typical divergence will be changed by different color, chip size and chip position tolerance. The typical total divergence is the full angle measured where the luminous intensity is half of the peak value.



PRODUCT DATASHEET

Leila series

last update 12/4/2013



GENERAL INFORMATION

- Product series especially designed & optimized for Diamond Dragon series of LEDs.
- Special care taken to make light distribution as uniform as possible.
- Lens material optical grade PMMA with high UV and temperature resistance (105 degrees of Celcius / 220 degrees of Fahrenheit). Allows use of high current and temperature conditions.

Please find more information about used material from below:

http://ledil.fi/sites/default/files/Documents/Technical/Material/PMMA%20N%20UL94_Yellow%20Card.pdf

<http://ledil.fi/sites/default/files/Documents/Technical/Material/PMMA%20N%20PLEXIGLAS-Datasheet.pdf>

- Optic holder molded by high quality PC material (120 dergees of Celcius / 248 degrees of Fahrenheit).

- Fastening to heat sink with a PU foam adhesive tape of automotive grade. Please find fastening details by clicking link: http://www.ledil.com/datasheets/DataSheet_TAPE.pdf

- Fastening to PCB with appropriate adhesive. By clicking link below you can find Ledil recommended glue options.

http://www.ledil.com/datasheets/DataSheet_GLUES.pdf

NOTE 1: We advise customer to ensure the suitability and sufficiency of the bond in the end product. For example, mechanical stress, vibration and holes on the surface of the circuit board weaken the strength of the tape.

NOTE 2: Assembly to the surface must be made straight, so the tape bonds constant and balanced with fastening surface. Slanted assembly might cause unbalanced bond to the surface. All surfaces where tape is applied must be clean, dry and free from grease and dirt.

If cleaning of PCB surfaces is needed, please follow strictly the cleaning instructions of your LED manufacturer - this is important as cleaning shall under no circumstances damage LEDs or other electronics components on the PCB.

Further note that optical components shall not be cleaned with any chemicals - only micro fiber cloth may be used to remove fingerprints or other traces from handling.

NOTE 1: We advise customer to ensure the suitability and sufficiency of the bond in the end product. For example, mechanical stress, vibration and holes on the surface of the circuit board weaken the strength of the glue.

NOTE 2: All surfaces where glue is applied must be clean, dry and free from grease and dirt. If cleaning of PCB surfaces is needed, please follow strictly the cleaning instructions of your LED manufacturer -this is important as cleaning shall under no circumstances damage LEDs or other electronics components on the PCB.

Further note that optical components shall not be cleaned with any chemicals - only micro fiber cloth may be used to remove fingerprints or other traces from handling.

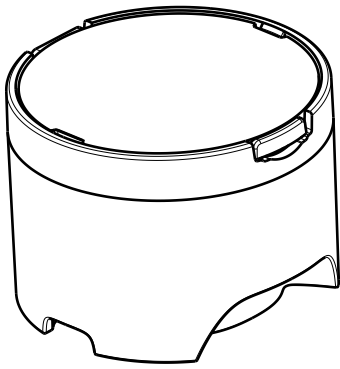
D

C

B

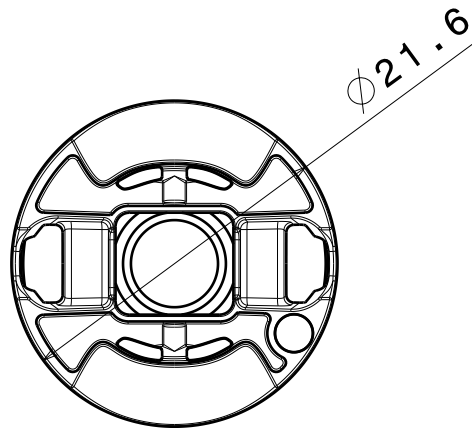
A

4



4

3

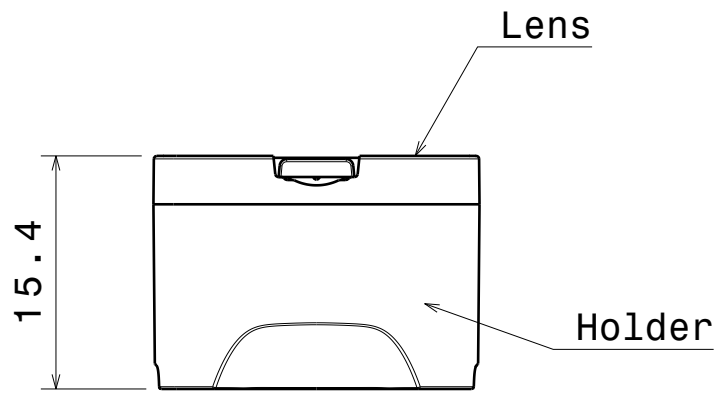


3

2

Materials:
 Lens PMMA
 Holder PC

2



1

This drawing is our property.
 It can't be reproduced
 or communicated without
 our written agreement.



L
T
F
F

e
e
i
i
N
n

d
h

DRAWING TITLE

Datasheet LD1-Series Assy

1

DRAWN BY

DATE

p

26.03.2010

CHECKED BY

DATE

t

k

29.04.2009

DESIGNED BY

DATE

HH

21.02.2008

SIZE

DRAWING NUMBER

REV

A4

1

SCALE

2:1

WEIGHT (g)

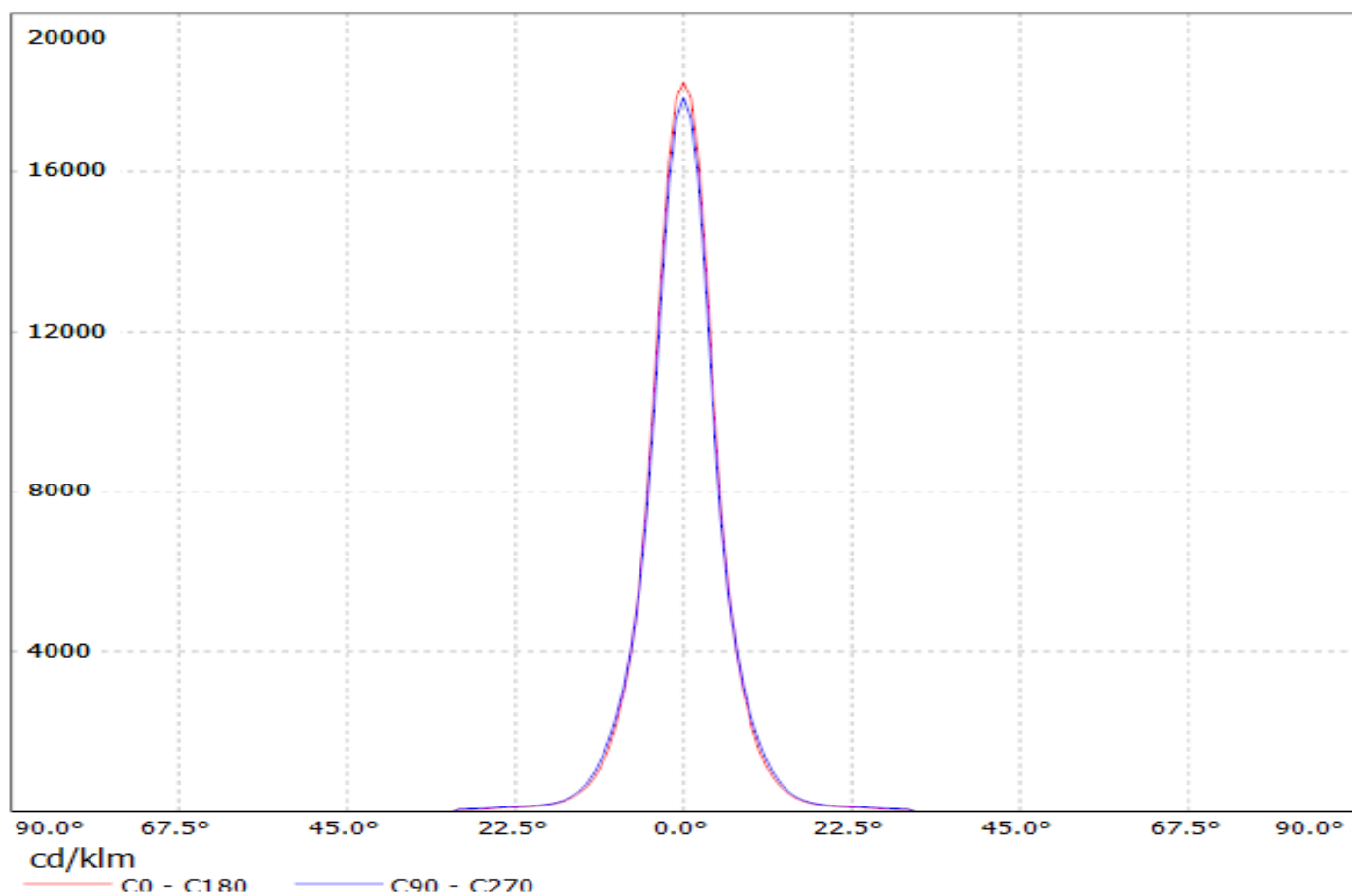
SHEET

1/1

D

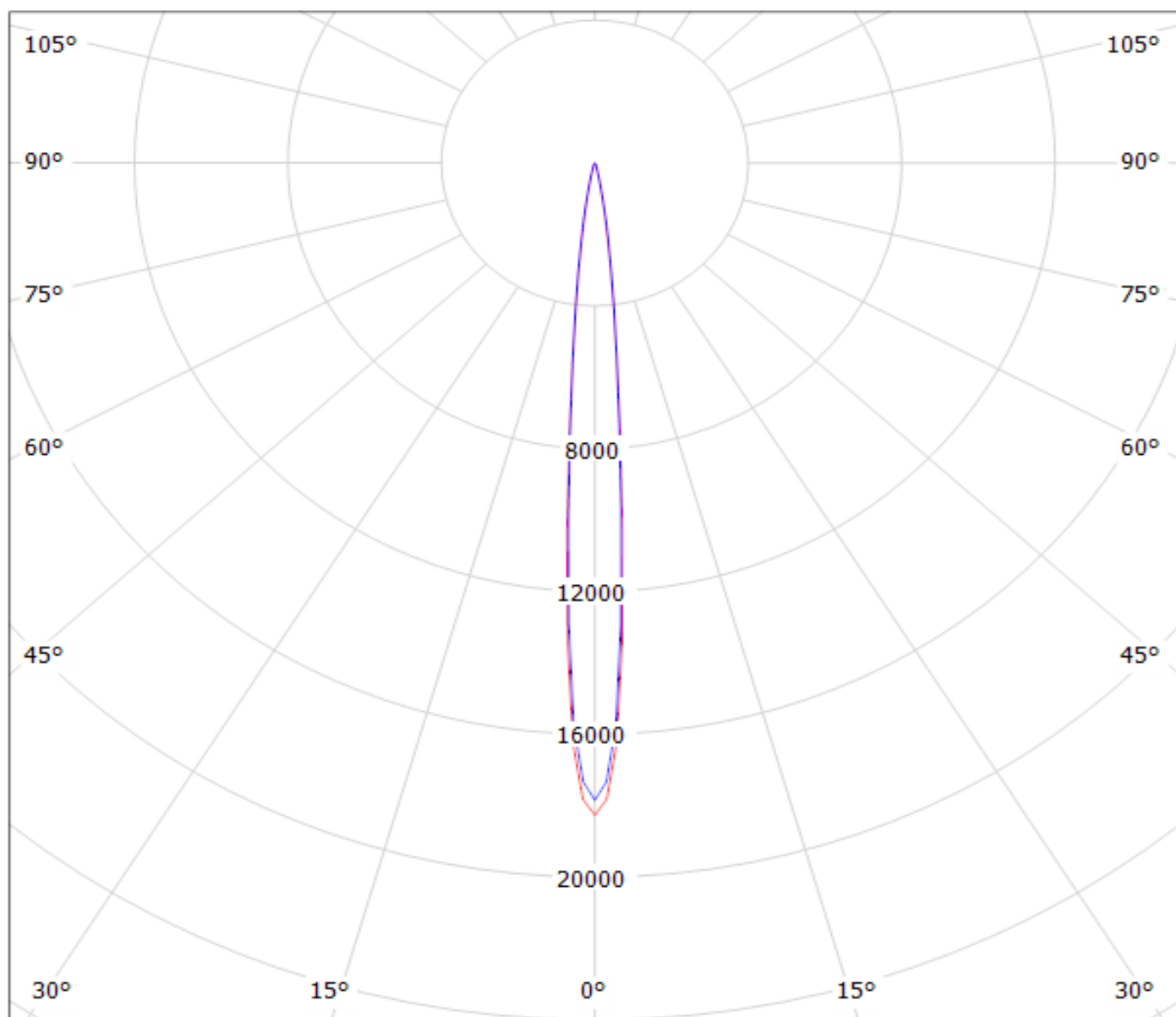
A

Luminaire: Ledil Oy FA10796_LD1-RS FA10796_LD1-RS
Lamps: 1 x Osram Diamond Dragon



Luminaire: Ledil Oy FA10796_LD1-RS FA10796_LD1-RS

Lamps: 1 x Osram Diamond Dragon



cd/klm

— C0 - C180

— C90 - C270