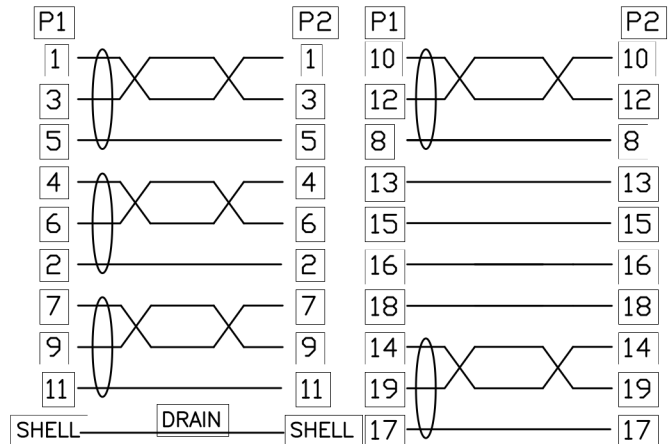


NOTE:

- 1.OPEN/SHORT/INTERMITTENCE:100%.
- 2.CONDUCTIVE RESISTANCE:2Ω (MAX)
- 3.RoHS & REACH Compliant
- 4.HDTV:4K*2K@60Hz

Pin OUT



⑦	THUMB SCREW	NICKEL PLATED#4-40*15	2	PCS
⑥	THUMB NUT	NICKEL PLATED#4-40	2	PCS
⑤	MOLDED	45P BLACK PVC		G
④	MOLDED	LD-PE		G
③	CONNECTOR	HDMI A-FEMALE NICKEL PLATED WITH BLACK RUBBER COVER	1	PCS
②	CONNECTOR	HDMI A-FEMALE NICKEL PLATED	1	PCS
①	CABLE	(7/0.12TC*1P+7/0.12TC+FAM)*5+7/0.12TC*4C+AL+1/0.254BC+B(80/0.12ALM)+BLACK PVC OD:7.3±0.2MM	L	MM
NO.	MATERIAL	DESCRIPTION	QTY.	UNIT

Ltemref	Quantity	Title/Name,designation,material,dimension etc	Article No./Reference
Designed by ALVIN	Checked by HELEN	Approved by - date 11-02-2020	File name Date 11-02-2020
ANGLE:	HDMI1.4 Panel Mount Female/Normal Female 1.0M		
UNIT:MM	AV28695 PSG3290	Edition 1	Sheet 1/1