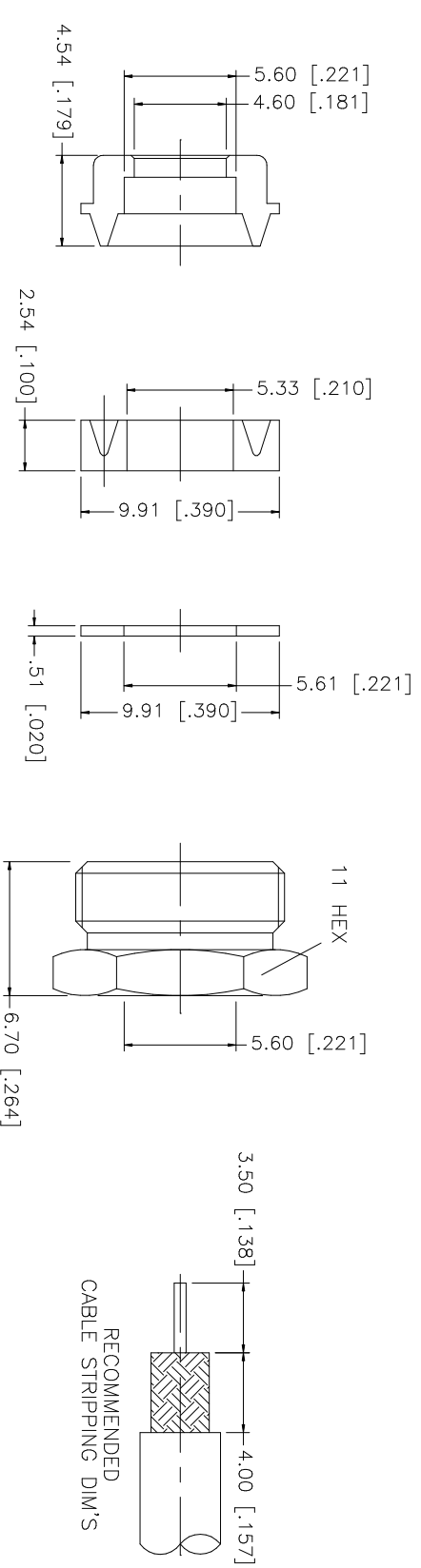
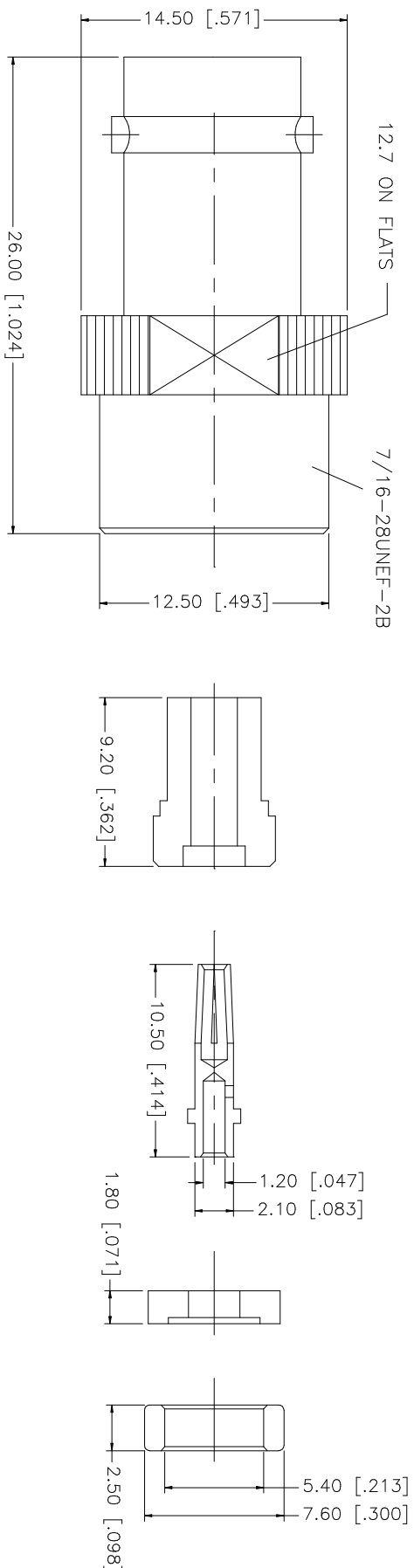


REV.	DATE	DESCRIPTION
NC	07/19/05	INITIAL RELEASE



QTY	DESCRIPTION	MATERIAL	FINISH	QTY	DO NOT SCALE DRAWING	CAD FILE	DWG. NO.	REV.	NC	SIZE	SCALE
1	HEX NUT	BRASS	NICKEL	1		C:/112/112372.DWG	112372.DWG	NC		A	NA
1	WASHER	BRASS	NICKEL	1							
1	GASKET	SILICONE	RED	1							
1	BRAD CLAMP	BRASS	NICKEL	1							
1	RING	BRASS	NICKEL	1							
1	INSULATOR	TEFLON	NATURAL	1							
1	CONTACT PIN	PHOS. BRONZE	GOLD	1							
1	INSULATOR	TEFLON	NATURAL	1							
1	BODY	BRASS	NICKEL	1							
	DESCRIPTION										

Amphenol Connex

PART DESCRIPTION
BNC CLAMP JACK
 (FOR RG-58C/U, 58/U, 142A/U, 223/U)

PART NO. 112372

APPROVALS
 DRAWN G.R.S. DATE 07/19/05

UNLESS OTHERWISE SPECIFIED DIMENSIONS ARE IN MILLIMETERS DIMENSIONS IN [] ARE IN INCHES AND FOR CUSTOMER REFERENCE ONLY.
 UNLESS OTHERWISE SPECIFIED TOLERANCES FOR MILLIMETERS ARE:
 0.5 - 8mm ± 0.20mm
 8 - 30mm ± 0.40mm
 30 - 120mm ± 0.50mm
 UNLESS OTHERWISE SPECIFIED TOLERANCES FOR INCHES ARE:
 .020 - .315 = ± 0.007"
 .315 - 1.180 = ± 0.015"
 1.180 - 4.724 = ± 0.020"