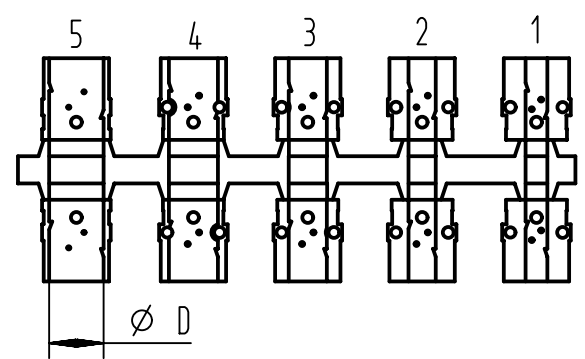
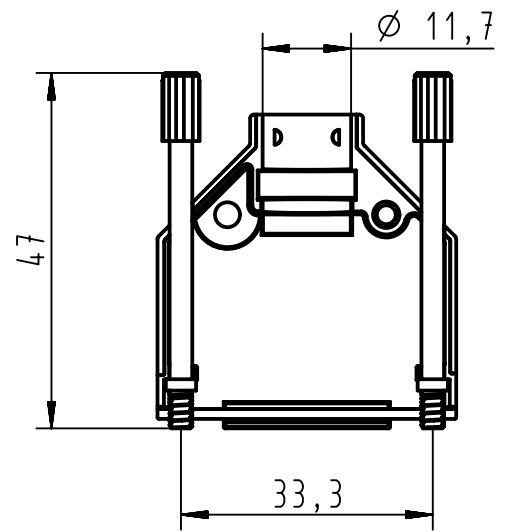
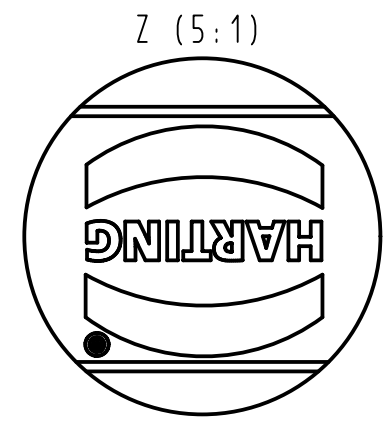
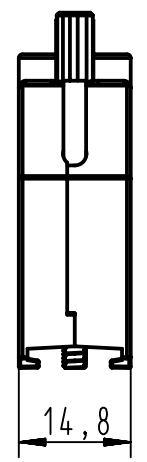
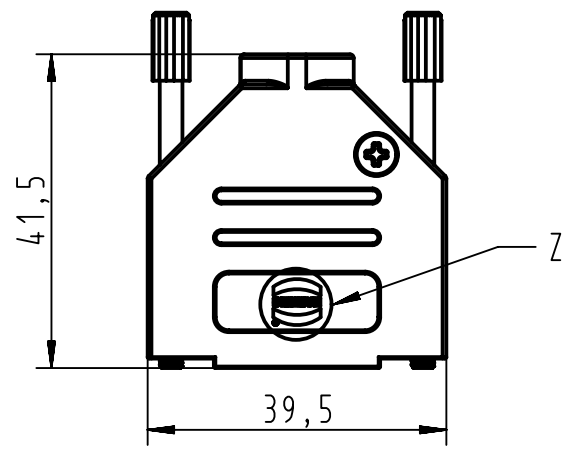


1 2 3 4 5 6

A
B
C
D



Grommet dimensions	
Number	Diameter D
1	4,0
2	5,0
3	7,0
4	9,0
5	10,2

	All rights reserved Department EC PD - FR	All Dimensions in mm Original Size DIN A4		Scale 1:1	Free size tol.	Ref.	
		HARTING Electronics GmbH D-32339 Espelkamp	Created by DOUGE	Inspected by BAGDIKIAN	Standardisation KOHLER	Date 2013-01-29	State Final Release
Part number 09 67 015 0343		4-40 UNC screw thread		Title D-Sub Hood 15P top entry full metal			Doc-Key / ECM-Nr. 100521286/UGD/001/A 500000056836
		Type TB	Number 09670150343		Rev. A	Page 1/1	

09 67 015 0343	4-40 UNC
Part number	screw thread