

## Data Sheet

### **DIN-Standard Built-In Socket, Metal, with Protective Cap**

Art. Nr. 53114330 (BP)

17.07.2017

Tension range:	max. 24 Volt
Max. current load:	max. 16 Ampere
Connectors:	flat terminals 6,3 mm
Pug-In dimension:	18 mm

#### **Material Protective Cap:**

Cap:	PA 6, black
Holder:	PA 6, black

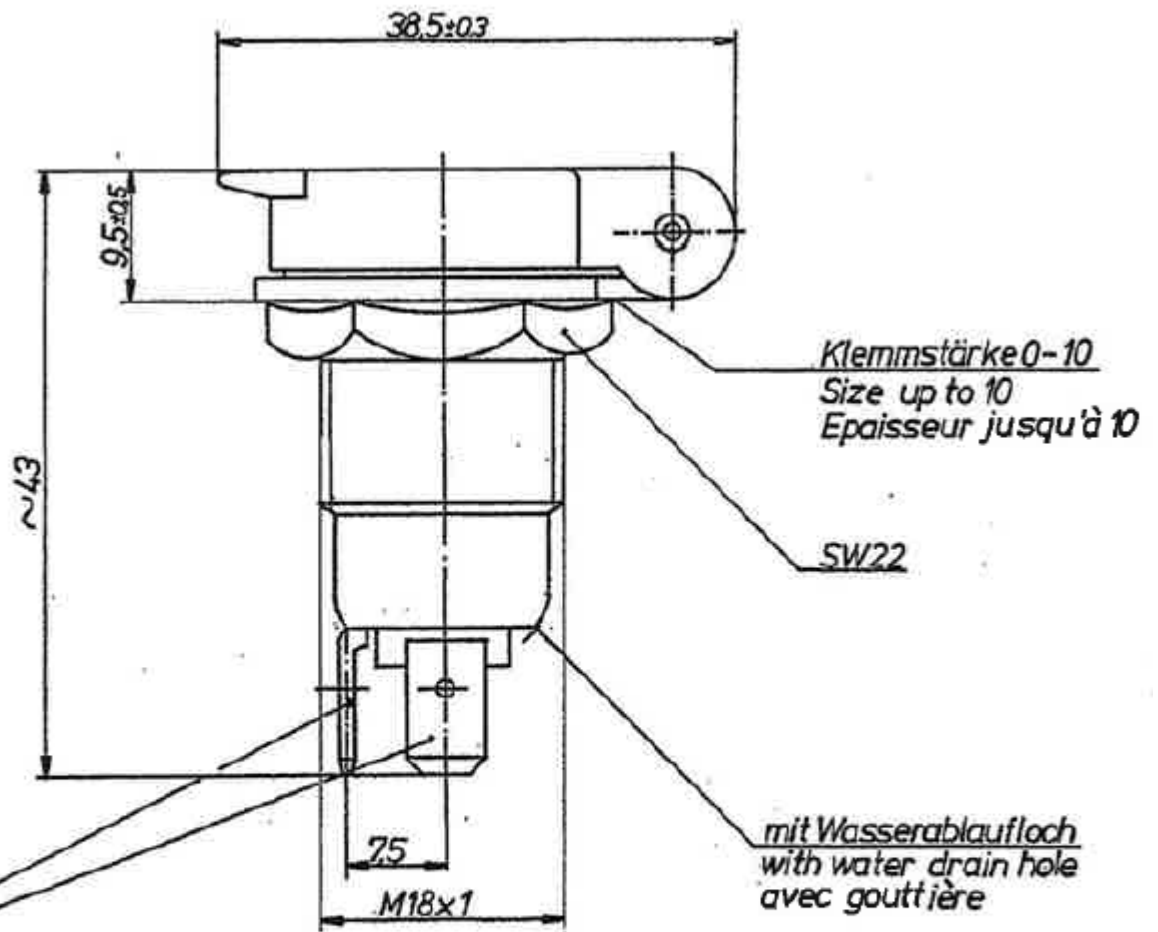
#### **Material DIN-Standard Built-In Socket:**

Housing:	Al Cu Mg Pb bk
Nut:	Cu Zn 40 bk
Contact busbar spring:	Cu Sn 6 bk
Base:	PA 6.6 black
Socket contact:	Cu Sn 6 silver-plated

**DIN-Standard Built-In Socket,  
 Metal, with Protective Cap**

Art. Nr. 53114330 (BP)

14.07.2017



Passend für 2 pol. Fastin-Faston  
 Steckhülsegehäuse AMP Nr. 180907-0  
 Suitable for 2 pole Fastin-Faston  
 adapter plug housing AMP no. 180907-0  
 Propre à 2 pôles Fastin-Faston  
 Carter d'adaptateur à douille AMP no. 180907-0