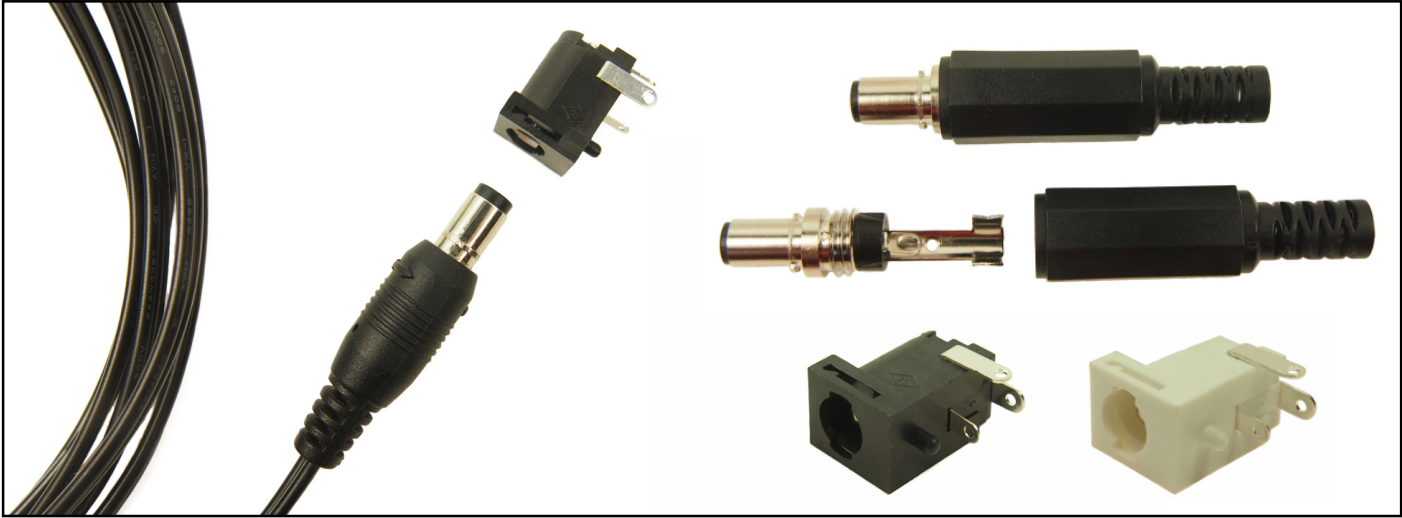


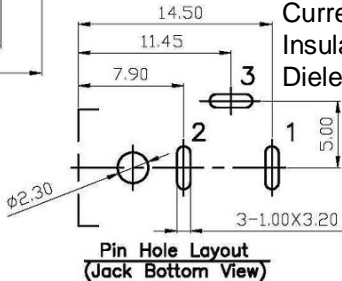
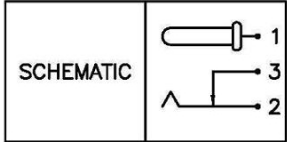
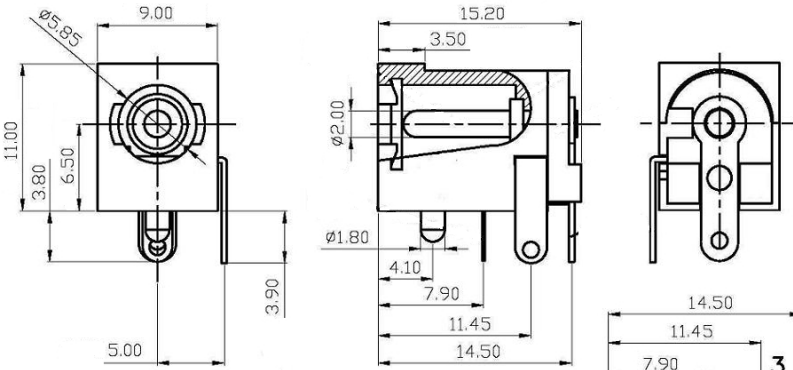
CLIFF

LOCKING DC PLUG & SOCKET

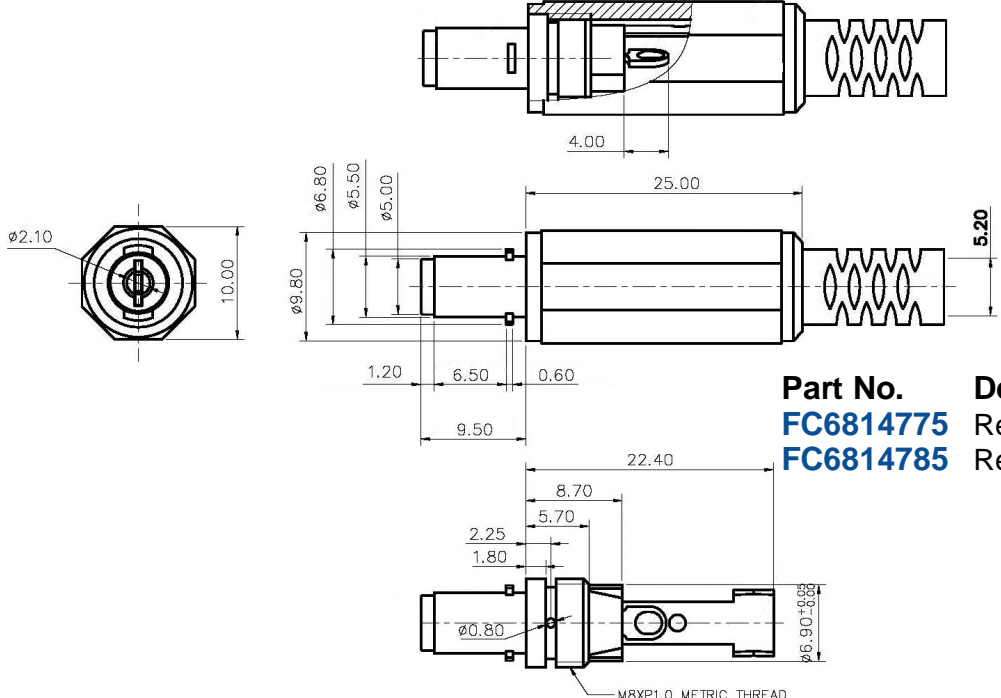


Part No.	Description
FC681477	Locking DC Socket Ø2.5mm
FC681477W	Locking DC Socket Ø2.5mm White
FC681478	Locking DC Socket Ø2.1mm
FC681478W	Locking DC Socket Ø2.1mm White

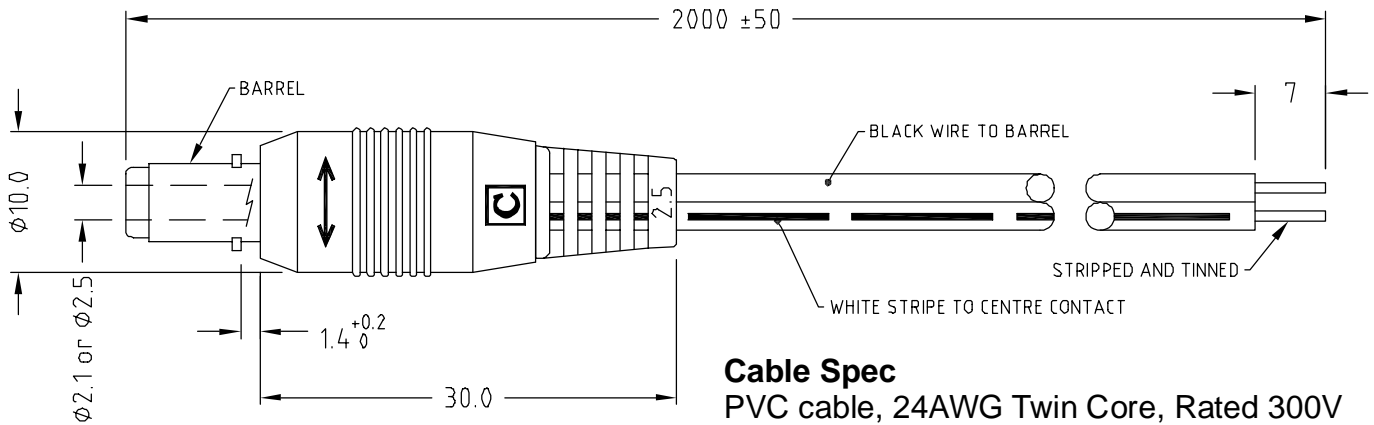
Specification
 Contact Resistance : 30mΩ max.
 Current rating : Max 2.0A, 16V DC
 Insulation Resistance : 100MΩ min at DC500V
 Dielectric Withstand Voltage : AC 500V for 1 minute.



Note. Our standard DC plugs (Fc68147 - DCP1 and FC681471 - DCP2) are compatible with this socket.



Part No.	Description
FC6814775	Rewireable Locking DC Plug Ø2.5mm
FC6814785	Rewireable Locking DC Plug Ø2.1mm



Part No.
FC6814751
FC6814751W
FC6814761
FC6814761W

Description
 Ø2.5mm LOCKING DC PLUG 2m CABLE BLACK
 Ø2.5mm LOCKING DC PLUG 2m CABLE WHITE
 Ø2.1mm LOCKING DC PLUG 2m CABLE BLACK
 Ø2.1mm LOCKING DC PLUG 2m CABLE WHITE