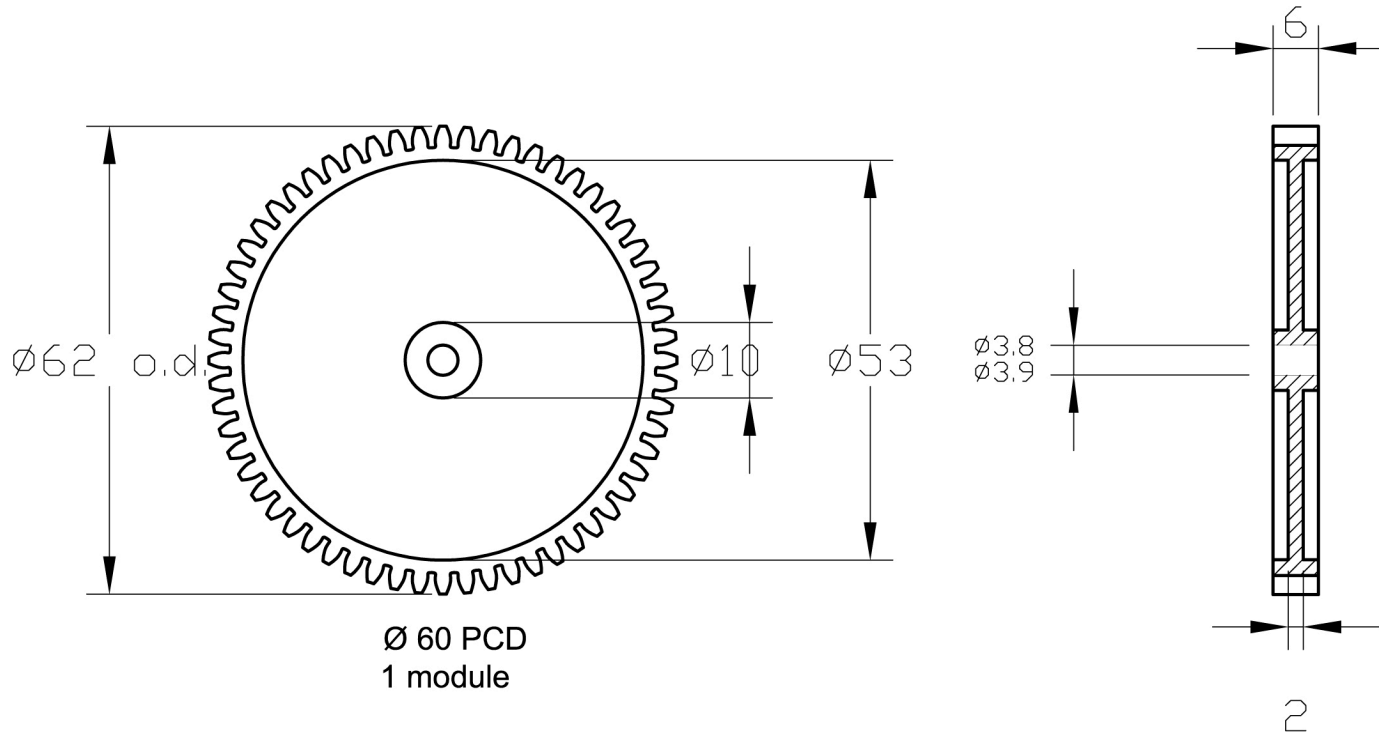


THIRD ANGLE PROJECTION

ALL DIMENSIONS IN MM IF IN DOUBT ASK

TOLERANCE UNLESS OTHERWISE STATED		
GENERAL TOLERANCE		
NO DECIMAL PLACE	±	0.5mm
ONE DECIMAL PLACE	±	0.3mm
TWO DECIMAL PLACES	±	0.1mm
ANGLES	±	1°



19/06/02	1
Date	Issue

DESCRIPTION : 60T Gear	
PROD Code:	4060
PART No.:	4060
DRAWING No. :	

MATERIAL : Polypropelene	drawn	checked	date
SCALE : FINISH : Red			19/06/02