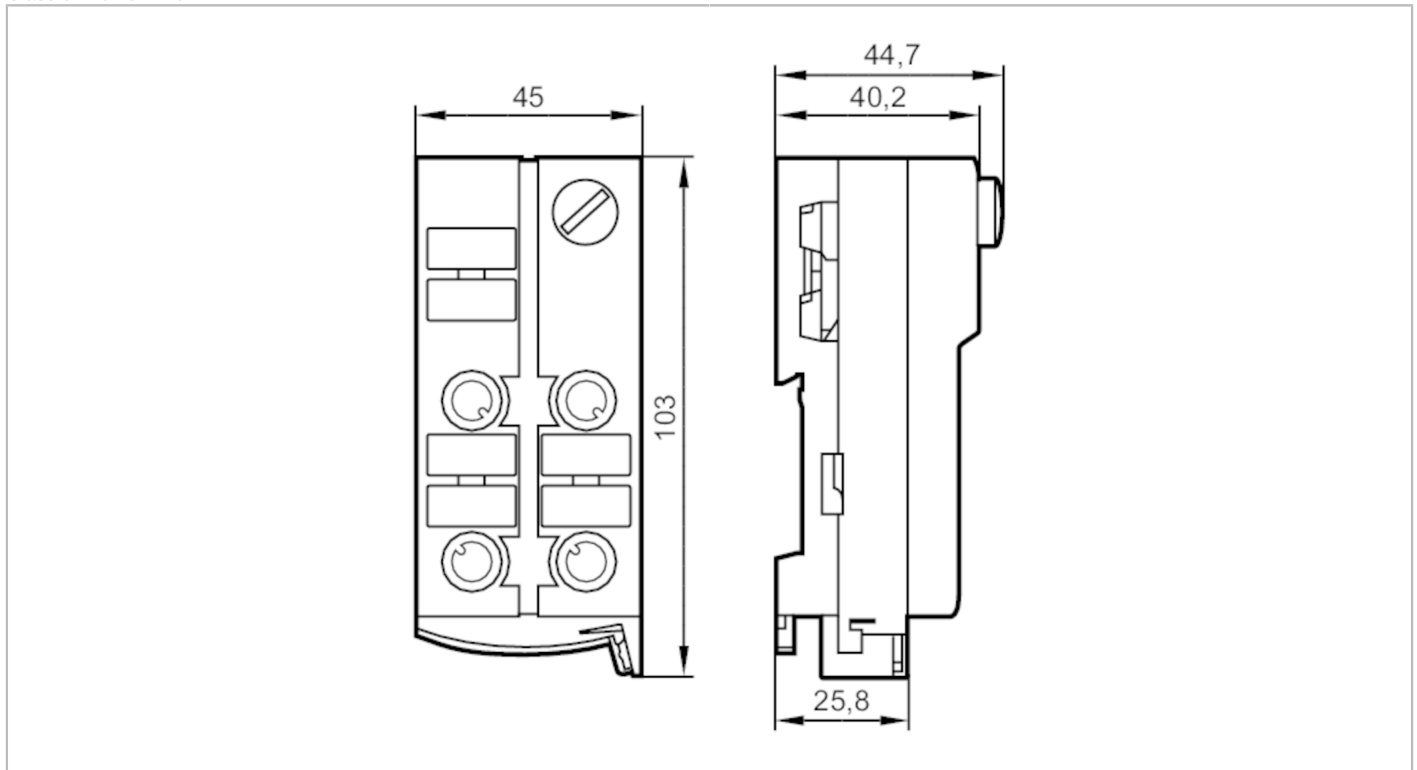


AC5200



AS-Interface ClassicLine module with quick mounting technology

ClassicLine 4SB IP67



Application	
Application	Quad splitter
Electrical data	
Operating voltage [V]	26.5...31.6 DC; ("supply class 2" to cULus)
Max. current load per module/slot [A]	2; (AS-i: 2; AUX: 2)
Additional voltage supply [V]	15...30 DC; (AUX ; "supply class 2" to cULus)
Operating conditions	
Ambient temperature [°C]	-25...70
Protection	IP 67
Tests / approvals	
EMC	EN 50295
	IEC 61000-6-2
MTTF [years]	10284
Mechanical data	
Weight [g]	152
Type of mounting	AS-i flat cables directly connectable
Materials	PA; piercing contacts: CuSn6 nickel-plated and tin-plated
Accessories	
Accessories (supplied)	lower part
Accessories (optional)	Protective cap: M12, E73004
Remarks	
Pack quantity	1 pcs.



AS-Interface ClassicLine module with quick mounting technology

ClassicLine 4SB IP67

Electrical connection

quick mounting technology for AS-i flat cable: ; three orientations possible

- | | |
|---|--------------------|
| 1 | AS-i + |
| 2 | external voltage - |
| 3 | AS-i - |
| 4 | external voltage + |

Connector: M12

