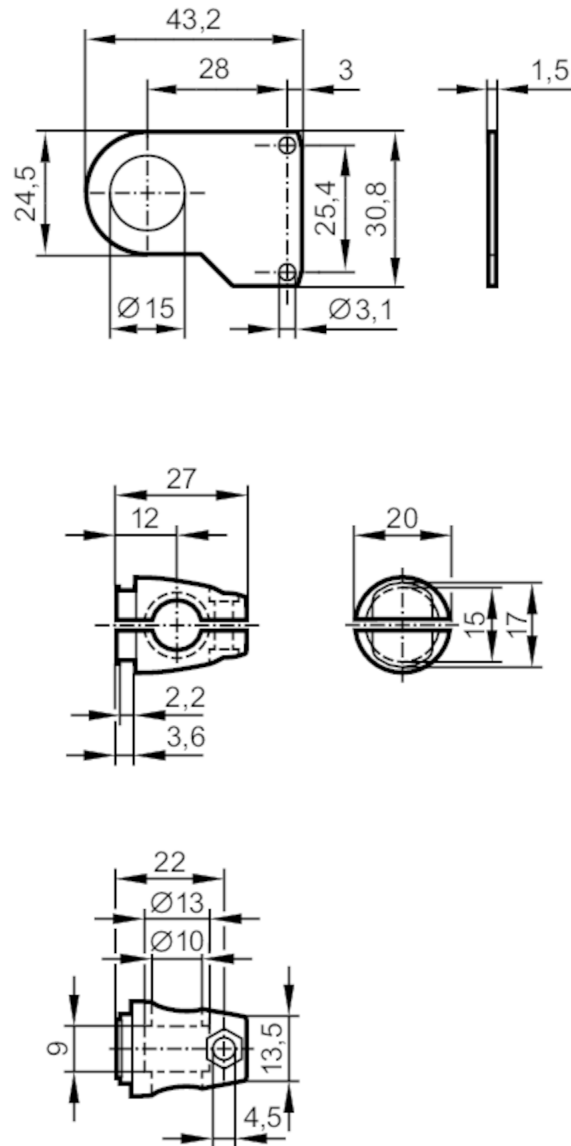




Mounting set for photoelectric sensors

O6 CLAMP BRACKET



Application	
Design	clamp mounting
Mechanical data	
Weight [g]	51.8
Type of mounting	Mounting rod; (Ø 10 mm)
Dimensions [mm]	Ø 10
Materials	stainless steel (1.4571/316Ti)
Accessories	
Accessories (supplied)	cylinder screws: 2 x M3 x 14
	Clamp
	head cap screw
	nut: M4

E21272



Mounting set for photoelectric sensors

O6 CLAMP BRACKET

Remarks

Pack quantity

1 pcs.