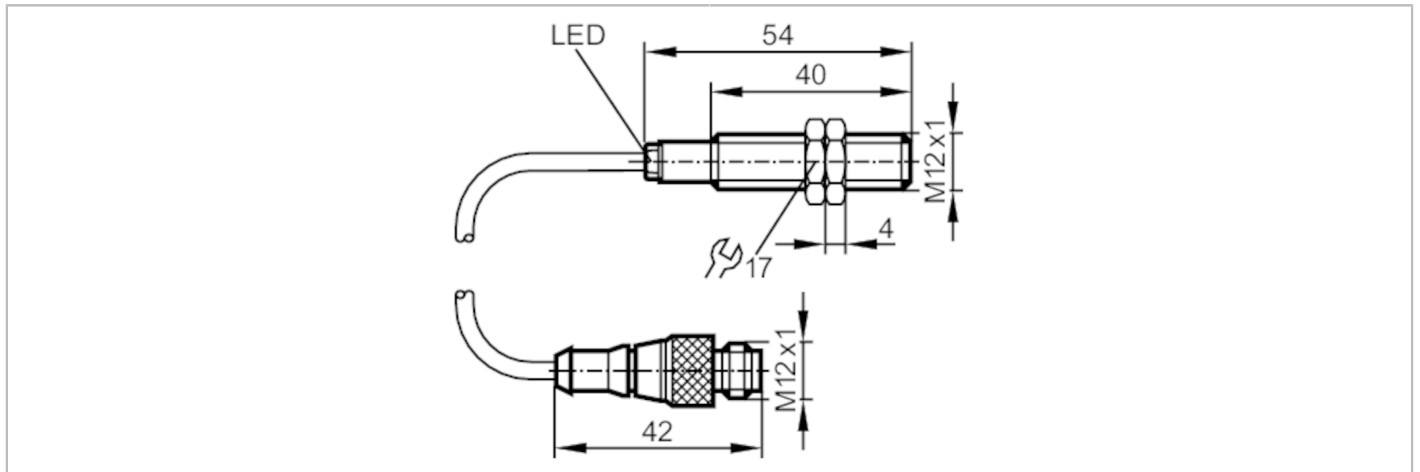


# IF9920



## Inductive sensor

IFB2002-ARKG/UP/0,8M/US RT



### Product characteristics

Electrical design		PNP/NPN
Output function		normally open
Sensing range	[mm]	2
Housing		threaded type
Dimensions	[mm]	M12 x 1 / L = 54

### Electrical data

Operating voltage	[V]	10...55 DC
Protection class		II
Reverse polarity protection		yes

### Outputs

Electrical design		PNP/NPN
Output function		normally open
Max. voltage drop switching output DC	[V]	4.6
Minimum load current	[mA]	2
Max. leakage current	[mA]	0.6
Permanent current rating of switching output DC	[mA]	100
Switching frequency DC	[Hz]	800
Notes on switching frequency		at I (load) ≥ 10 mA
Short-circuit protection		yes
Type of short-circuit protection		pulsed
Overload protection		yes

### Detection zone

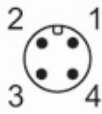
Sensing range	[mm]	2
Real sensing range Sr	[mm]	2 ± 10 %
Operating distance	[mm]	0...1.6

# IF9920



## Inductive sensor

IFB2002-ARKG/UP/0,8M/US RT

Accuracy / deviations		
Correction factor	steel: 1 / stainless steel: 0.7 / brass: 0.5 / aluminium: 0.4 / copper: 0.3	
Hysteresis [% of Sr]	1...15	
Switch point drift [% of Sr]	-10...10	
Operating conditions		
Ambient temperature [°C]	-25...80	
Protection	IP 67	
Tests / approvals		
EMC	EN 60947-5-2	
MTTF [years]	1912	
Mechanical data		
Weight [g]	53	
Housing	threaded type	
Mounting	flush mountable	
Dimensions [mm]	M12 x 1 / L = 54	
Thread designation	M12 x 1	
Materials	brass nickel-plated; PBT	
Displays / operating elements		
Display	switching status	1 x LED, red
Accessories		
Accessories (supplied)	lock nuts: 2	
Remarks		
Pack quantity	1 pcs.	
Electrical connection - plug		
Cable: 0.8 m, PUR		
Connector: 1 x M12		
		

# IF9920



## Inductive sensor

IFB2002-ARKG/UP/0,8M/US RT

