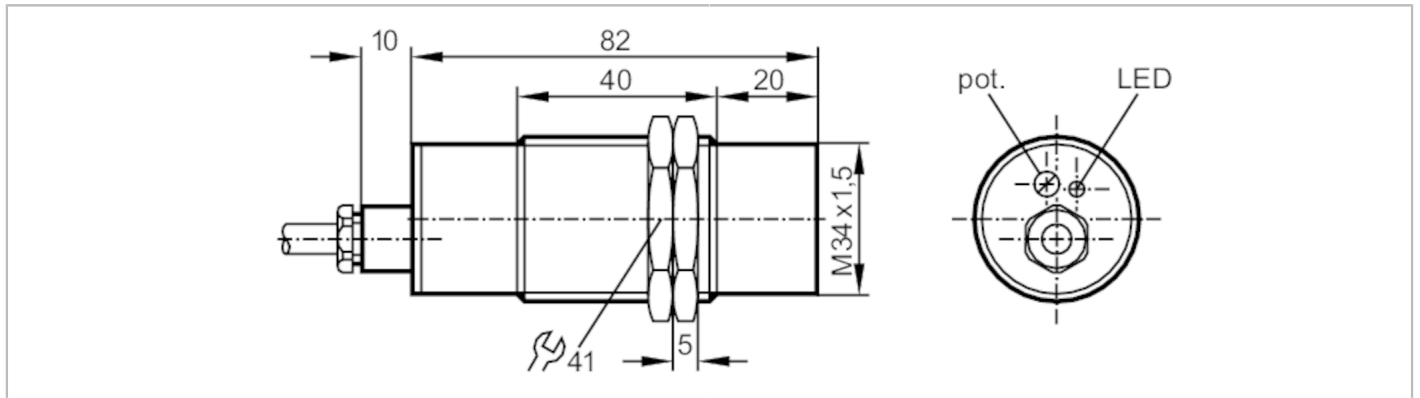


KX5001



Capacitive NAMUR sensor

KX-2015-N/NI/1D/1G



| Product characteristics | |
|------------------------------------|---|
| Electrical design | NAMUR |
| Output function | normally closed |
| Sensing range [mm] | 15 |
| Housing | threaded type |
| Dimensions [mm] | M34 x 1.5 / L = 92 |
| Electrical data | |
| Connection to switching amplifiers | yes |
| Switching amplifiers | connection to certified intrinsically safe circuits with the max. values: U = 15 V / I = 50 mA / P = 120 mW |
| Nominal voltage DC [V] | 8.2; (1kΩ) |
| Supply voltage DC [V] | 7.5...15 |
| Current consumption [mA] | < 1; (disabled; conductive: > 2,2) |
| Protection class | I |
| Outputs | |
| Electrical design | NAMUR |
| Output function | normally closed |
| Switching frequency DC [Hz] | 40 |
| Detection zone | |
| Sensing range [mm] | 15 |
| Sensing range adjustable | yes |
| Factory setting sensing range [mm] | 15 |
| Accuracy / deviations | |
| Correction factor | glass: 0.4 / water: 1 / ceramics: 0.2 / PVC: 0.2 |
| Hysteresis [% of Sr] | 1...15 |
| Switch point drift [% of Sr] | -15...15 |
| Operating conditions | |
| Ambient temperature [°C] | -20...60 |
| Protection | IP 65 |

KX5001

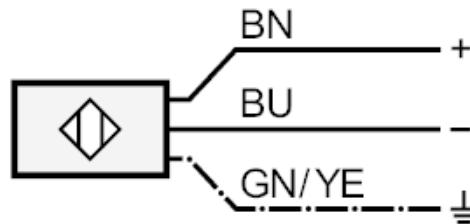


Capacitive NAMUR sensor

KX-2015-N/NI/1D/1G

| Tests / approvals | | |
|--|---|-----------------|
| Approval | DMT 01 ATEX E 020 | |
| ATEX marking | Ex II 1G Ex ia IIB T6 Ga | |
| | Ex II 1D Ex ia IIIC T90 °C Da | |
| EMC | EN 60947-5-2 | |
| MTTF [years] | 838 | |
| Safety classification | | |
| Max. internal capacitance [nF] | 375 | |
| Max. internal inductance [µH] | 1 | |
| Mechanical data | | |
| Weight [g] | 421.5 | |
| Housing | threaded type | |
| Mounting | non-flush mountable | |
| Dimensions [mm] | M34 x 1.5 / L = 92 | |
| Thread designation | M34 x 1.5 | |
| Materials | brass white bronze coated; sensing face: PTFE | |
| Displays / operating elements | | |
| Display | switching status | 1 x LED, yellow |
| Remarks | | |
| Pack quantity | 1 pcs. | |
| Electrical connection | | |
| Cable: 2 m, PVC; 3 x 0.5 mm ² | | |

Connection



Core colours :

BN = brown

BU = blue

GN/YE = green/yellow