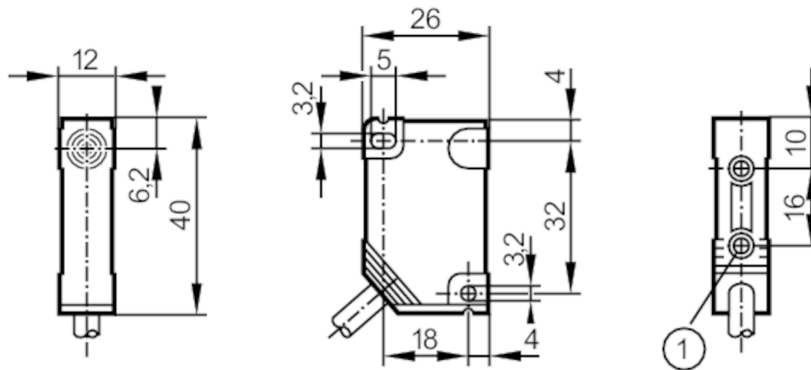


NN5001



Inductive NAMUR sensor

IN-2002-N/1D/1G/2G



- 1 threaded bush M3 Depth 5.8 mm
Tightening torque maximum 1.2 Nm screw fixing class 8.8
when brass insert in contact with counterpart



Product characteristics

Electrical design	NAMUR
Output function	normally closed
Sensing range [mm]	2
Housing	rectangular
Dimensions [mm]	40 x 12 x 26

Electrical data

Connection to switching amplifiers	yes
Switching amplifiers	connection to certified intrinsically safe circuits with the max. values: U = 15 V / I = 50 mA / P = 120 mW
Nominal voltage DC [V]	8.2; (1kΩ)
Supply voltage DC [V]	7.5...30; (when used outside the hazardous area)
Current consumption [mA]	< 1; (disabled; conductive: > 2,1)
Protection class	II

Outputs

Electrical design	NAMUR
Output function	normally closed
Permanent current rating of switching output DC [mA]	30; (when used outside the hazardous area)
Switching frequency DC [Hz]	800

Detection zone

Sensing range [mm]	2
Real sensing range Sr [mm]	2 ± 10 %

Accuracy / deviations

Correction factor	steel: 1 / stainless steel: 0.7 / brass: 0.5 / aluminium: 0.4 / copper: 0.3
Hysteresis [% of Sr]	1...15
Switch point drift [% of Sr]	-10...10

NN5001

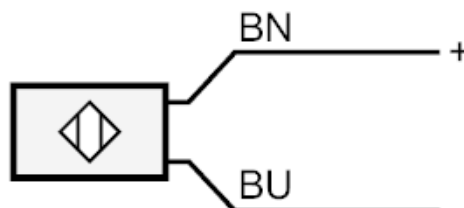


Inductive NAMUR sensor

IN-2002-N/1D/1G/2G

Operating conditions	
Ambient temperature [°C]	-20...80
Protection	IP 67
Tests / approvals	
Approval	PTB 01 ATEX 2191; BVS 04 ATEX E153; IECEx BVS 06.0003
ATEX marking	Ex II 1G Ex ia IIB T6 Ga
	Ex II 2G Ex ia IIC T6 Gb
	Ex II 1D Ex ia IIIC T 90°C Da
EMC	EN 60947-5-6
Shock/vibration resistance	30 g (11 ms) / 10-55 Hz (1 mm)
MTTF [years]	4899
Safety classification	
Max. internal capacitance [nF]	110
Max. internal inductance [μ H]	135
Mechanical data	
Weight [g]	147
Housing	rectangular
Mounting	flush mountable
Dimensions [mm]	40 x 12 x 26
Materials	PBT
Remarks	
Pack quantity	1 pcs.
Electrical connection	
Cable: 2 m, PVC; 2 x 0.5 mm ²	

Connection



Core colours :

BN = brown
BU = blue