

## VALVE PLUG SUPPRESSOR FORM BI - 11MM 90°

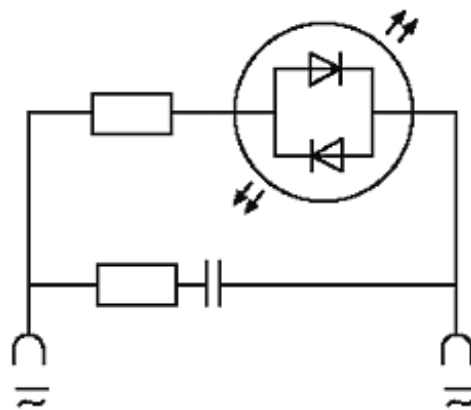
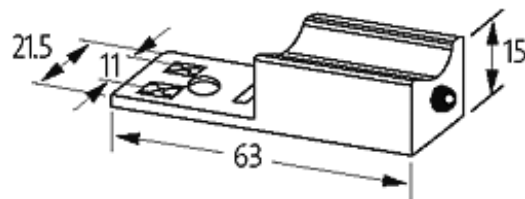
RC and LED, 230VAC/DC/10VA/W

230 V AC/DC  
RC + LED

Remove plug gasket when fitting adapter. Other LED colors on request. Note PIN arrangement (PE at cable outlet of connector). 180° turned version on request.

### [Link to Product](#)

#### Illustration



LED + RC

Product may differ from Image

#### Technical Data

|                       |   |
|-----------------------|---|
| LED display           | (yellow opac)   |
| Contact material      | Silvered bronze   |
| Material              | Polyamide black, flame retardant, temperature resistance up to 130 °C |
| Switch off delay time | max. 20 ms  |
| Switch off peak       | max. 300 V  |
| Max. power (W)        | max. 10 W(VA)   |

#### General data

|                      |               |
|----------------------|---------------|
| Temperature range    | -20...+60 °C  |
| Dimensions H × W × D | 15×63×21.5 mm |

#### Commercial data

|                        |          |
|------------------------|----------|
| country of origin      | CZ       |
| customs tariff number  | 85363010 |
| minimum order quantity | 1        |