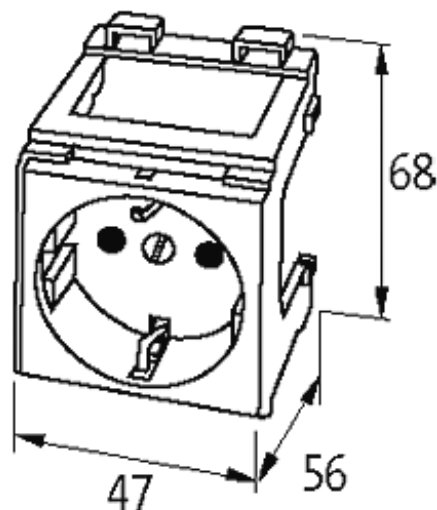
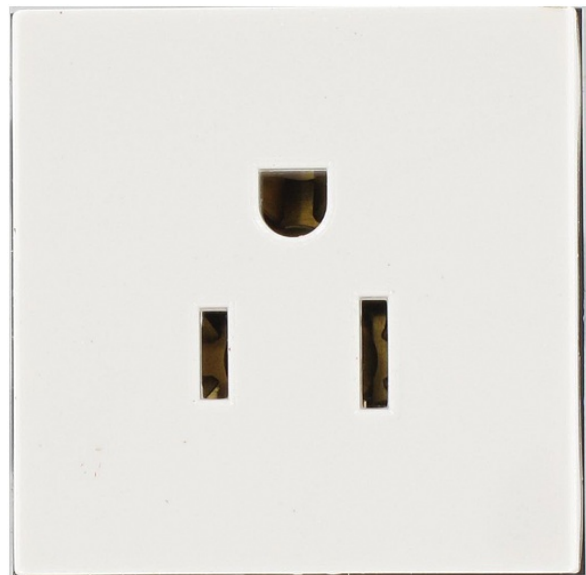


MODLINK MSVD CABINET POWER OUTLETS

NEMA5-15/USA 125V AC / 15 A, screw terminals

USA (NEMA 5-15) white
Screw terminals[Link to Product](#)**Illustration**

Product may differ from Image

Technical Data

Operating voltage	max. 125 V AC
Operating current	max. 15 A

General data

Mounting method	DIN-rail mountable (EN 60715)
Connection	Screw terminals: max. 2 × 2.5 mm ² (AWG 14)
Dimensions H × W × D	68×47×56 mm

Commercial data

country of origin	FR
customs tariff number	85366990
minimum order quantity	1