

M12 male 90° shielded with cable

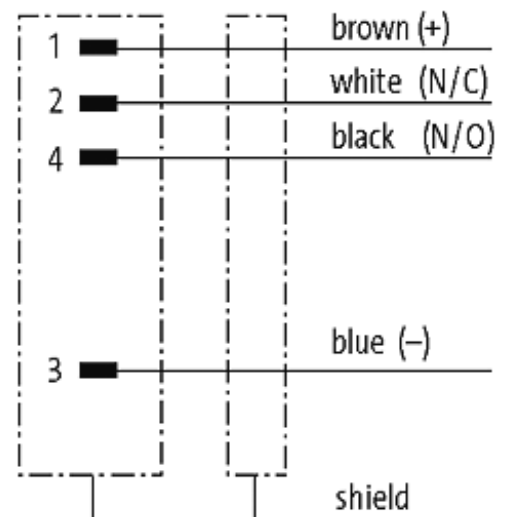
PUR 4x0.34 shielded bk UL/CSA+drag chain 3m

M12

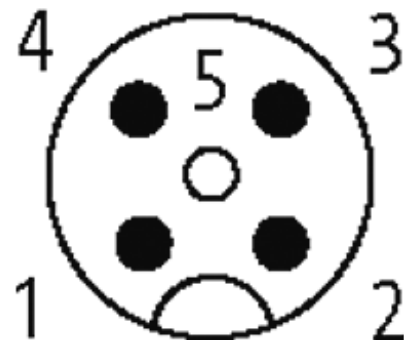
Male 90°

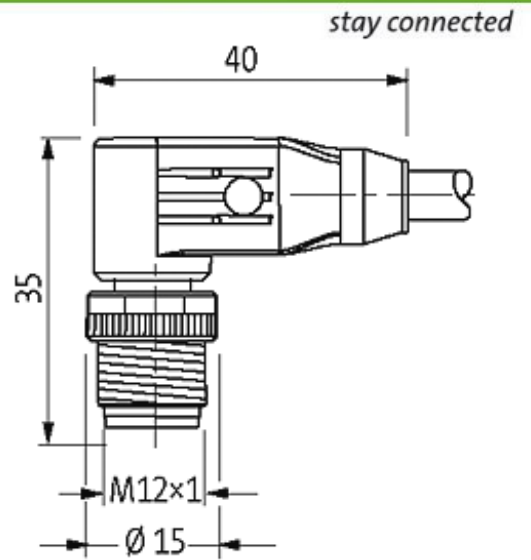
4-pole, shielded

Plastic housings with good resistance against chemicals and oils. The resistance to aggressive media should be individually tested for your application. Further details on request. Further cable lengths on request.

[Link to Product](#)**Illustration**

Male





Product may differ from Image