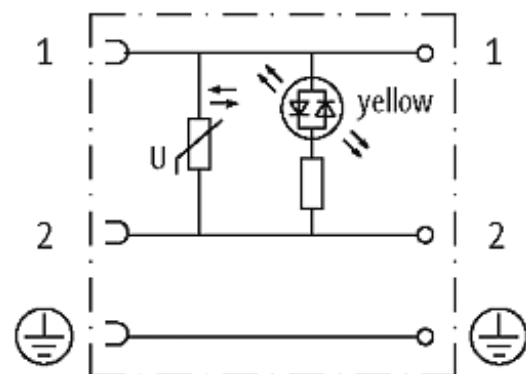


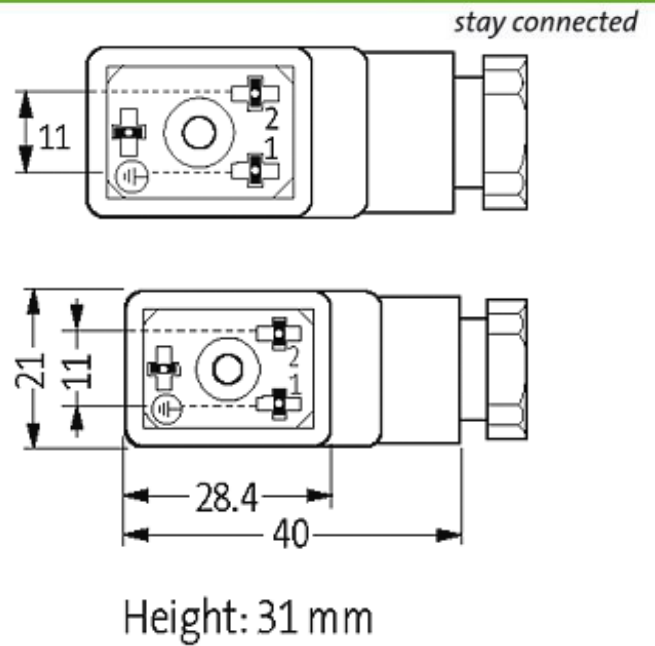
SVS ECO LED VALVE PLUG FORM B 11MM LED VDR 24V

2+PE field-wireable M16x1.5

Form BI (11 mm)
24 V AC/DC with LED and VDR
metric

Plastic housings with good resistance against chemicals and oils. The resistance to aggressive media should be individually tested for your application. Further details on request.

[Link to Product](#)**Illustration**



Product may differ from Image

Approvals



Form

29805

Technical Data

Operating voltage	24 V AC/DC $\pm 10\%$
Operating current per contact	max. 1.5 A
Connection cross section	0.5...1.5 mm ²
Sealing range (cable diameter)	6...8 mm
Locking of ports	M3 (recommended torque 0.4 Nm)
Compression gland	M16 \times 1.5 mm
Contact figure	Cable outlet can be turned in 180° steps
Protection	IP65 inserted and tightened

General data

Temperature range	-40...+60 °C
-------------------	--------------

Commercial data

country of origin	HU
customs tariff number	85369010
minimum order quantity	1