

**M12 male 0° / M12 female 0°**

PUR 5x0.34 bk UL/CSA+robot+drag chain 7m

Male straight to female straight

M12 - M12, 5-pole

Art.-No. 7005 - M12 Lite - (plastic hexagonal screw) on request

Plastic housings with good resistance against chemicals and oils. The resistance to aggressive media should be individually tested for your application. Further details on request. Further cable lengths on request.

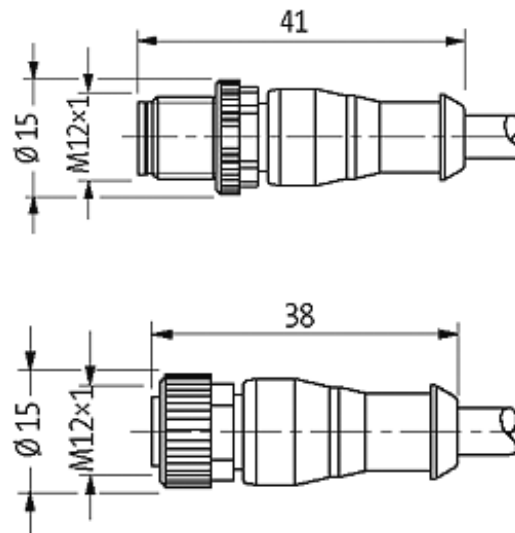
**[Link to Product](#)****Illustration**

(\* for cable type 126 and 732)

Male

Female





Product may differ from Image

### Approvals



\* only for products with UL/CSA approved cable

### Form

40041

### Technical Data

|                               |   |
|-------------------------------|---|
| Operating voltage             | max. 125 V AC/DC  |
| Operating current per contact | max. 4 A  |
| Locking of ports              | Screw thread M12 × 1 mm (recommended torque 0.6 Nm) self-securing |
| Protection                    | IP67 inserted and tightened (EN 60529)                            |

### Cables

|                             |                                  |
|-----------------------------|----------------------------------|
| Cable number                | 655                              |
| No./diameter of wires       | 5 × 0.34 mm <sup>2</sup>         |
| Wire isolation              | PP (br, wh, bl, bk, gnye)        |
| C-track properties          | 10 Mio.                          |
| Torsion                     | 1 Mio. ± 360°/m                  |
| Jacket Color                | black                            |
| Shore hardness outer jacket | 58 ± 3D                          |
| Material (jacket)           | PUR (UL/CSA), welding spark res. |
| Outer diameter              | approx. 5.0 mm                   |
| Bend radius (fixed)         | 5 × outer Ø                      |
| Bend radius (moving)        | 10 × outer Ø                     |
| Temperature range (fixed)   | -40...+90 °C                     |

The information in this brochure has been compiled with the utmost care.

Liability for the correctness completeness and topicality of the information is restricted to gross negligence. Version: 05/15

---

|                            |              |
|----------------------------|--------------|
| Temperature range (mobile) | -25...+90 °C |
|----------------------------|--------------|

**Commercial data**

---

|                   |    |
|-------------------|----|
| country of origin | DE |
|-------------------|----|

---

|                       |          |
|-----------------------|----------|
| customs tariff number | 85444290 |
|-----------------------|----------|

---

|                        |   |
|------------------------|---|
| minimum order quantity | 1 |
|------------------------|---|