

ALPHA 400/630 DIN, ASSEMBLY KIT F.SR60 BUSBAR SYSTEM 60MM, 3-POLE, H=300,W=500



## Accessories

accessories

others

General Product Approval

Declaration of  
Conformity

Test Certificates



GOST

[other](#)



EG-Konf.

[Special Test  
Certificate](#)

[Type Test  
Certificates/Test  
Report](#)

## Further information

**Information- and Downloadcenter (Catalogs, Brochures,...)**

<http://www.siemens.com/lowvoltage/catalogs>

**Industry Mall (Online ordering system)**

<https://eb.automation.siemens.com/mall/en/WW/Catalog/Product/8GK48012KK23>

**Service&Support (Manuals, Certificates, Characteristics, FAQs,...)**

<http://support.automation.siemens.com/WW/view/en/8GK48012KK23/all>

**Image database (product images, 2D dimension drawings, 3D models, device circuit diagrams, ...)**

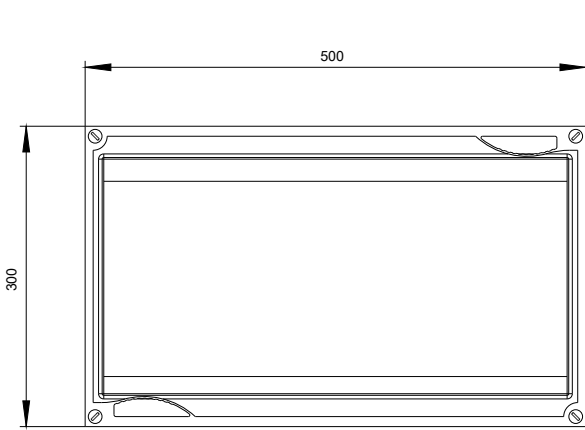
[http://www.automation.siemens.com/bilddb/cax\\_en.aspx?mlfb=8GK48012KK23](http://www.automation.siemens.com/bilddb/cax_en.aspx?mlfb=8GK48012KK23)

**CAX-Online-Generator**

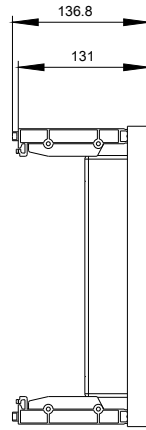
<http://www.siemens.com/cax>

**Tender specifications**

<http://ausschreibungstexte.siemens.com/tiplv>



last modified:



11.03.2015