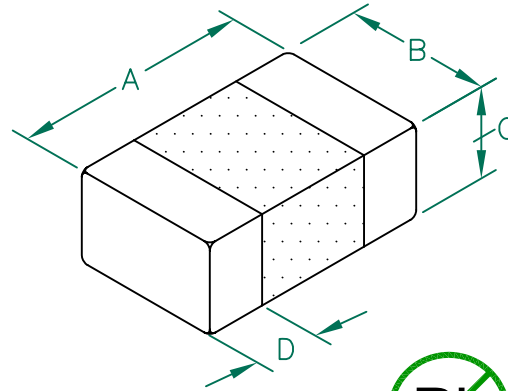


MI0805K400R-10

UNCONTROLLED DOCUMENT

PHYSICAL DIMENSIONS:

A	2.00 [.079]	+ 0.20 [.008]
B	1.25 [.049]	+ 0.20 [.008]
C	0.90 [.035]	+ 0.20 [.008]
D	0.51 [.020]	+ 0.25 [.010]

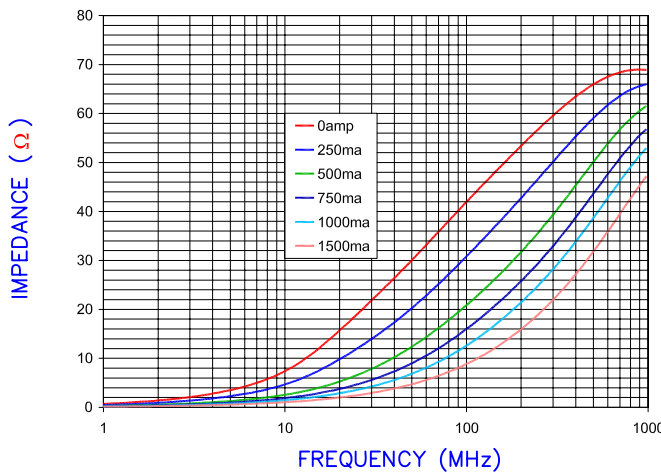


ELECTRICAL CHARACTERISTICS:

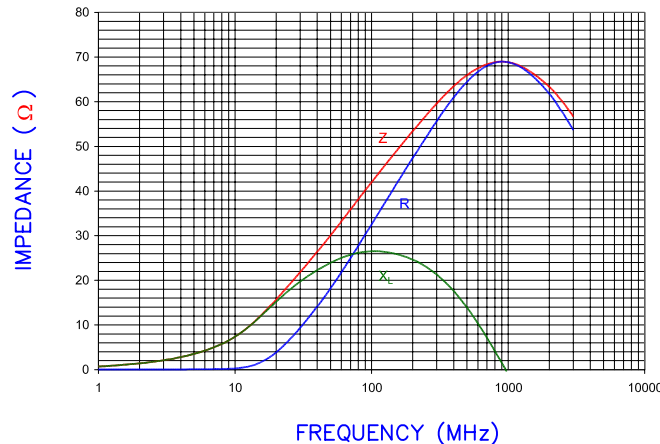
Z @ 100MHz (Ω)	DCR (Ω)	Rated Current
Nominal	40	
Minimum	30	
Maximum	50	1500 mA

- NOTES: UNLESS OTHERWISE SPECIFIED
1. TAPED AND REELED per CURRENT EIA SPECIFICATIONS 7" REELS, 4000 PCS/REEL, PAPER TAPE.
 2. COMPONENTS SHOULD BE ADEQUATELY PREHEATED BEFORE SOLDERING.
 3. TERMINATION FINISH IS 100% TIN.

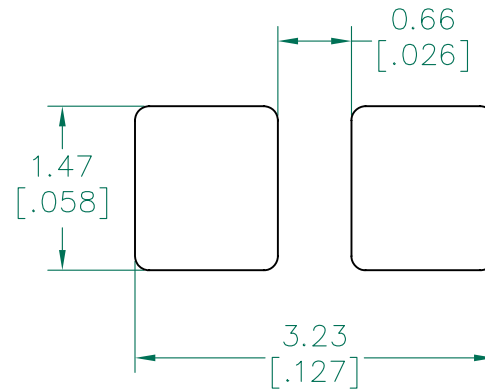
Z vs FREQUENCY
IMPEDANCE UNDER DC BIAS



|Z|, R, AND X vs. FREQUENCY

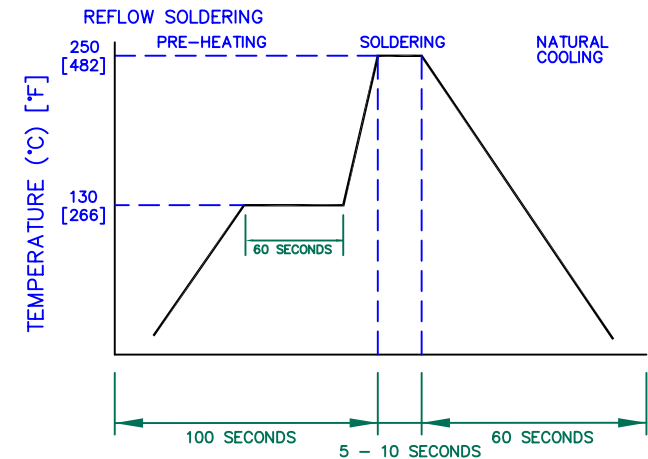


LAND PATTERNS FOR REFLOW SOLDERING



(For wave soldering, add 0.763 [.030] to this dimension.)

RECOMMENDED SOLDERING CONDITIONS



DIMENSIONS ARE IN mm [INCHES].				This print is the property of Laird Tech. and is loaned in confidence subject to return upon request and with the understanding that no copies shall be made without the written consent of Laird Tech. All rights to design or invention are reserved.				Laird TECHNOLOGIES®	
PROJECT/PART NUMBER:				REV	PART TYPE:	DRAWN BY:			
MI0805K400R-10				C	CO-FIRE	JRK			
C	CHANGE TO PAPER TAPE	03/04/10	JUN	DATE:	03/11/04	SCALE:	NTS	SHEET:	
B	UPDATE COMPANY LOGO & ADD ROHS	08/06/08	JRK					2 of 2	
A	ORIGINAL DRAFT	03/11/04	JRK						
REV	DESCRIPTION	DATE	INT	MI0805K400R-10-C		TOOL #			