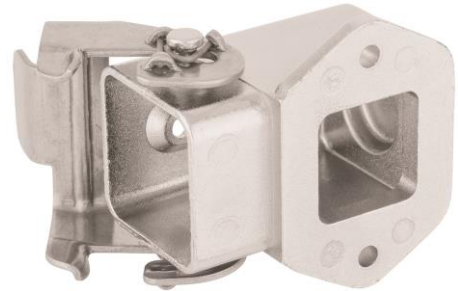




DATA SHEET	10423202
EPIC[®] ULTRA H-A 3 MAGS	valid from: 04.11.2016

Description

- EMC protection
- Corrosion-resistant
- Protection rating UL50E tested
- All-purpose due to high corrosion resistance and high environmental protection



General Characteristics

Series	ULTRA H-A 3
Version	Panel-mount base angled
Locking mechanism	single lever
Protection rating, IEC	IP 65 (locked)
Protection rating, NEMA 250, UL50E	12, 4, 4X (locked)
Temperature Range	-40°C to +100°C, short-term up to +125°C
Holding screws for inserts included	yes

Materials and surfaces

Housing, base material	zinc die-casting
Housing, surface	nickel-plated
Lever	stainless steel
Holding screws for inserts	stainless steel
Gasket	NBR

Approvals

VDE-Approval, VDE-REG.-Nr.	B437
----------------------------	------

Standards

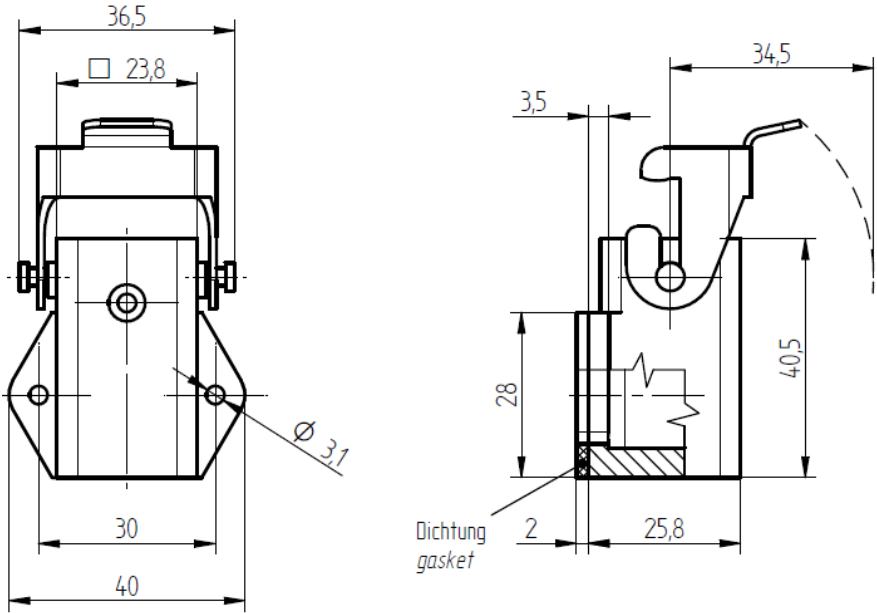
Product standard	IEC 61984
------------------	-----------

Creator: MANA2/PDP Released: IVSE1/PDP	Document: DB10423202EN Version: 00	Page 1 of 2
---	---------------------------------------	-------------

We reserve all rights according to DIN ISO 16016.

DATA SHEET	10423202
EPIC® ULTRA H-A 3 MAGS	valid from: 04.11.2016

Drawings



Remark

Photographs are not to scale and do not represent detailed images of the respective products.

Creator: MANA2/PDP Released: IVSE1/PDP	Document: DB10423202EN Version: 00	Page 2 of 2
---	---------------------------------------	-------------

We reserve all rights according to DIN ISO 16016.