

927777-1  ACTIVE

AMP

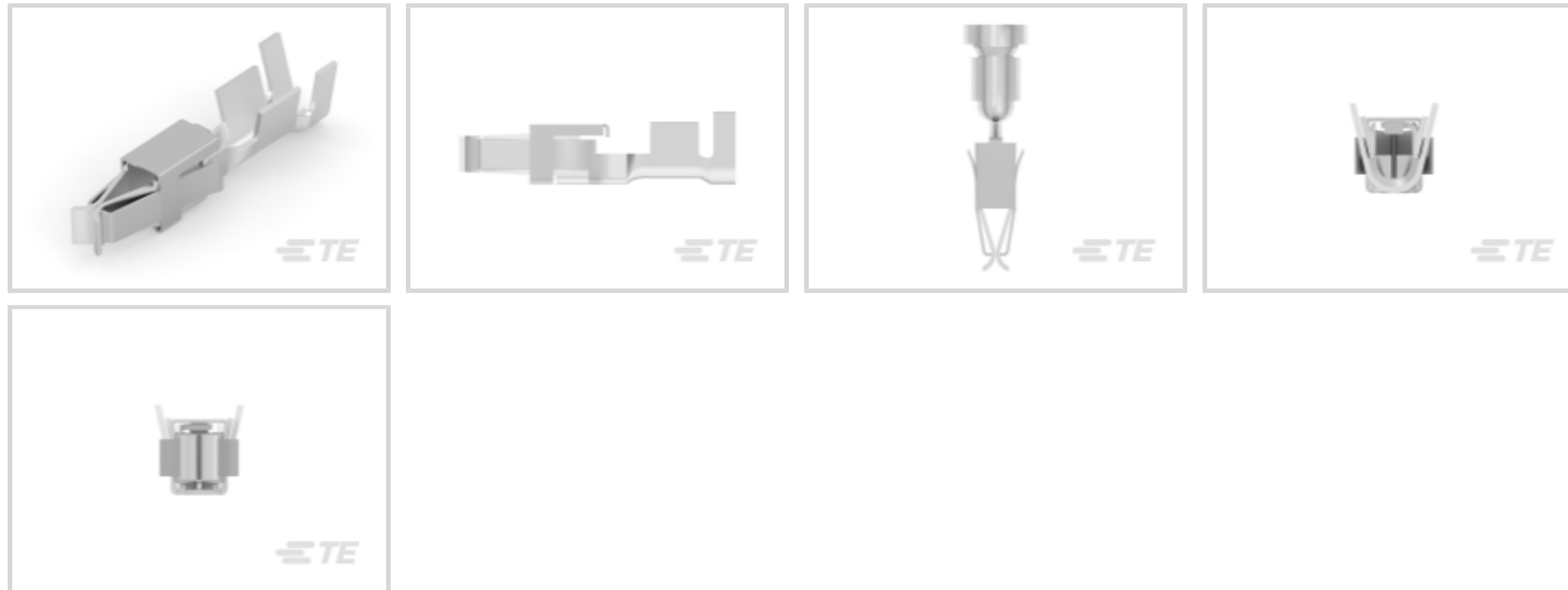
TE Internal #: 927777-1

Automotive Terminals, Receptacle, 16 – 14 AWG Wire Size, 1 – 2.5 mm<sup>2</sup> Wire Size, Tin (Sn) Interface Plating, Terminates To Wire & Cable

[View on TE.com >](#)



Terminals & Splices > Automotive Terminals



Terminal Type: **Receptacle**

Terminal Transmits: **0 – 24 A (Low Power)**

Wire Size: **1 – 2.5 mm<sup>2</sup>**

Sealable: **No**

## Features

### Product Type Features

Sealable	No
----------	----

### Contact Features

Contact Size	2.8mm
Contact Fabrication	Stamped & Formed
Crimp Type	F-Crimp
Terminal Type	Receptacle
Interface Plating	Tin (Sn)

### Termination Features

Termination Method to Wire & Cable	Crimp
Product Terminates To	Wire & Cable

### Dimensions

Wire Size	1 – 2.5 mm <sup>2</sup>
Tab Length	18.8 mm[.74 in]

### Usage Conditions



Insulation Option	Uninsulated
Operating Temperature (Max)	130 °C[266 °F]
Operating Temperature Range	-40 – 130 °C[-40 – 266 °F]

### Packaging Features

Packaging Quantity	1000
Packaging Method	Box

### Other

Terminal Transmits	0 – 24 A (Low Power)
--------------------	----------------------

## Product Compliance

[For compliance documentation, visit the product page on TE.com>](#)

EU RoHS Directive 2011/65/EU	Compliant
EU ELV Directive 2000/53/EC	Compliant
China RoHS 2 Directive MIIT Order No 32, 2016	No Restricted Materials Above Threshold
EU REACH Regulation (EC) No. 1907/2006	Current ECHA Candidate List: JUNE 2023 (235) Candidate List Declared Against: JUNE 2023 (235) Does not contain REACH SVHC
Halogen Content	Low Halogen - Br, Cl, F, I < 900 ppm per homogenous material. Also BFR/CFR/PVC Free
Solder Process Capability	Not applicable for solder process capability

#### Product Compliance Disclaimer

This information is provided based on reasonable inquiry of our suppliers and represents our current actual knowledge based on the information they provided. This information is subject to change. The part numbers that TE has identified as EU RoHS compliant have a maximum concentration of 0.1% by weight in homogenous materials for lead, hexavalent chromium, mercury, PBB, PBDE, DBP, BBP, DEHP, DIBP, and 0.01% for cadmium, or qualify for an exemption to these limits as defined in the Annexes of Directive 2011/65/EU (RoHS2). Finished electrical and electronic equipment products will be CE marked as required by Directive 2011/65/EU. Components may not be CE marked. Additionally, the part numbers that TE has identified as EU ELV compliant have a maximum concentration of 0.1% by weight in homogenous materials for lead, hexavalent chromium, and mercury, and 0.01% for cadmium, or qualify for an exemption to these limits as defined in the Annexes of Directive 2000/53/EC (ELV). Regarding the REACH Regulation, the information TE provides on SVHC in articles for this part number is based on the latest European Chemicals Agency (ECHA) 'Guidance on requirements for substances in articles' posted at this URL: <https://echa.europa.eu/guidance-documents/guidance-on-reach>

## Compatible Parts




REPRESENTATION ONLY. DIE SET MAY VARY. TE

TE Part # 2390882-1  
SDE F JR PWR TMR 1.5-2.5mm2 ASSY



REPRESENTATION ONLY. DIE SET MAY VARY. TE

TE Part # 2392638-1  
SDE F JR PWR TMR 1.5-2.5mm2 ASSY



TE Part # 2392638-2  
SDE F JR PWR TMR 1.5-2.5mm2 DIE SET



TE Part # 2390882-2  
SDE F JR PWR TMR 1.5-2.5mm2 DIE SET



TE Part # 169400  
CERTI-LOK FRAME W/O DIES

### Customers Also Bought



TE Part #6-1768048-2  
TKM150-N



TE Part #K1127118  
Battery Disconnecter 35-521-100-R



TE Part #1-1337551-0  
FME Str Jk Hex Nickel Pltd RG174A/U, 188



TE Part #952050-E  
VORCSI SRC CRIMP ZANGE- ROLLE 284070 J 3



TE Part #BSA085N00580100000  
923 PLUG, SPEEDTEC



TE Part #K2000791  
Micro Switch MZX1 021 302

TE Part #2318777-1  
RESOLVER, ROTOR WITHOUT RIVETS MARKED

TE Part #2318783-1  
RESOLVER, RESOLVER STATOR

TE Part #378Z-05910  
Speed sen DSS 1210.13 PHV

### Documents



## Product Drawings

### JUNIOR POWER TIMER CONTACT

English

---

## CAD Files

### 3D PDF

3D

#### Customer View Model

[ENG\\_CVM\\_CVM\\_927777-1\\_P.2d\\_dxf.zip](#)

English

#### Customer View Model

[ENG\\_CVM\\_CVM\\_927777-1\\_P.3d\\_igs.zip](#)

English

#### Customer View Model

[ENG\\_CVM\\_CVM\\_927777-1\\_P.3d\\_stp.zip](#)

English

By downloading the CAD file I accept and agree to the [Terms and Conditions](#) of use.

---

## Product Specifications

### Application Specification

English