

Sample image

## Datasheet

**Article number:** 70011289

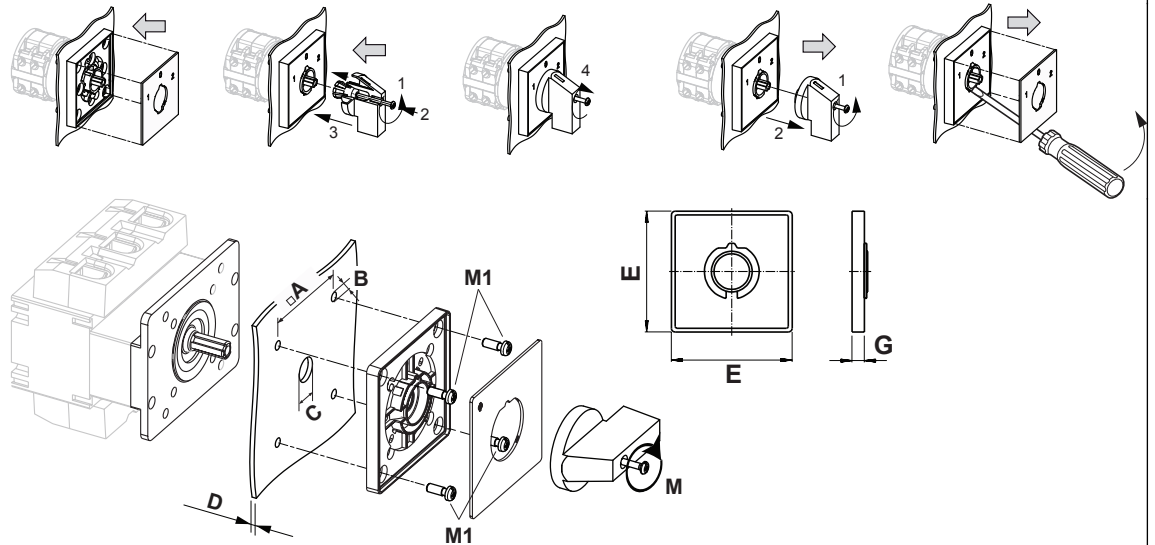
**Designation:** KG315.T103/05.E

**Description:** Switch Global Disconnecter

<b>IEC 60947-3 EN 60947-3, VDE 0660 Teil 107</b>						
<b>Märkdriftspänning Ui</b>						
<i>Spänning (V) AC / DC</i>						
1000 AC						
<b>Märkdriftström vid konstant drift</b>						
<i>Ström (A)</i>	<i>Omgivningstemperatur (°C)</i>	<i>Temperatur topp (°C) ytterligare krav</i>				
315	50	55 Omgivningstemperatur +50°C under 24 timmar med toppar upp till +55°C				
<b>Märkdrifteffekt</b>						
<i>Urvals kriterie</i>	<i>Spänning (V)</i>		<i>No. of phases</i>	<i>No. of poles</i>	<i>Effekt (kW)</i>	
AC-3	220 - 240		3	3	45	
AC-3	380 - 440		3	3	75	
AC-3	660 - 690		3	3	45	
AC-23A	220 - 240		3	3	55	
AC-23A	380 - 440		3	3	110	
AC-23A	660 - 690		3	3	45	
<b>Max försäkring, IEC</b>						
<i>Säkringskarakteristik</i>				<i>Antal säkringar</i>	<i>Ström (A)</i>	
gG				1	315	
<b>UL60947-4-1 , UL508</b>						
<b>Nominal Voltage</b>						
<i>Spänning (V) AC / DC</i>						
600 AC						
<b>Märkdriftspänning Ui</b>						
<i>Spänning (V) AC / DC</i>						
600 AC						
<b>Rated thermal current</b>						
<i>Ström (A)</i>		<i>Omgivningstemperatur (°C)</i>		<i>Additional Text</i>		
300		0 - 40		-		
<b>Horsepower rating</b>						
<i>Across-the-Line Motor Starting</i>						
	<i>Spänning (V)</i>	<i>No. of phases</i>	<i>No. of poles</i>	<i>Power (HP)</i>	<i>Ambient temperature [°C]</i>	
DOL	110 - 120	1	2	20	40	
DOL	220 - 240	1	2	35	40	
DOL	277 - 277	1	2	35	40	
DOL	440 - 480	1	2	50	40	
DOL	550 - 600	1	2	60	40	
DOL	110 - 120	3	3	40	40	
DOL	220 - 240	3	3	75	40	
DOL	440 - 480	3	3	100	40	
DOL	550 - 600	3	3	100	40	
<b>SCCR / Max. fuse rating</b>						
<i>Conditions of acceptability</i>						
This device is suitable for use on circuits capable of delivering not more than 10kA rms symmetrical amperes, 600V ac max. when protected by Type RK1 fuses.						
Suitable for use on a circuit capable of delivering not more than 65000 rms symmetrical amperes at 600V max., when protected by 400A Class J fuses.						
<b>Temp. rating of wire</b>						
<i>Temperature rating (°C)</i>			<i>Ström (A) Text</i>			
75			--			
<b>General Use</b>						
<i>AC / DC</i>	<i>Spänning (V)</i>	<i>Ström (A)</i>	<i>No. of phases</i>	<i>No. of poles</i>	<i>No. of contacts in series</i>	
AC	277	300	1	1	1	
AC	600	300	1	2	1	
AC	600	300	3	3	1	
<b>General Information</b>						
<i>Text</i>						
- The operating handle and position indicating means to be used with these manual motor controllers should be provided from the manufacturer, or the operating handle and position indicating means to be used should have been previously evaluated in combination with the manual motor controllers.						
<b>CSA</b>						
<b>Nominal Voltage</b>						
<i>Spänning (V) AC / DC</i>						
600 AC						

Märkdriftspänning UI	
Spänning (V) AC / DC 600 AC	
Rated thermal current	
Ström (A) 300	Omgivningstemperatur (°C) Additional Text 0 - 40 --
Horsepower rating	
<i>Across-the-Line Motor Starting</i>	
	Spänning (V) No. of phases No. of poles Power (HP) Ambient temperature [°C]
DOL	110 - 120 1 2 20 40
DOL	220 - 240 1 2 35 40
DOL	277 - 277 1 2 35 40
DOL	440 - 480 1 2 50 40
DOL	550 - 600 1 2 60 40
DOL	110 - 120 3 3 40 40
DOL	220 - 240 3 3 75 40
DOL	440 - 480 3 3 100 40
DOL	550 - 600 3 3 100 40
Temp. rating of wire	
Temperature rating (°C) 75	Ström (A) Text -- --
General Use	
AC / DC	Spänning (V) Ström (A) No. of phases No. of poles No. of contacts in series
AC	277 300 1 1 1
AC	600 300 1 2 1
AC	600 300 3 3 1
GENERAL TECHNICAL INFORMATION	
Size of conductor	
composition of conductor	Min. / Max. value No. of conductor per terminal Cross section (mm <sup>2</sup> ) or (AWG/kcmil) Material of the wire
solid wire	Min. 1 16mm <sup>2</sup> Copper
flexible wire	Max. 1 MCM 300 Copper
flexible wire	Max. 1 150mm <sup>2</sup> Copper
flexible wire	Min. 1 25mm <sup>2</sup> Copper
Single-core or stranded wire	Max. 1 185mm <sup>2</sup> Copper
Single-core or stranded wire	Max. 1 MCM 350 Copper
flexible wire with sleeve	Max. 1 120mm <sup>2</sup> Copper
flexible wire with ferrule according to DIN 46228	Min. 1 16mm <sup>2</sup> Copper
Stripping length	
Length (mm) --	
	
Rekomenderad skruvmejsel	
Typ av skruvmejsel	Value
Insex	6
Tightening torque of screws	
tightening torque (Nm) tightening torque (lb-in)	
16 140	
Approbations	
Specification	Marking
EAC	
CE marking	
UK Directives	
CSA C.22.2 No.14	
GB/T14048.3	
General Information	
<i>Text</i>	
<ul style="list-style-type: none"> <li>- Smörjning och behandling av kontaktarna är förbjuden.</li> <li>- Inkoppling och service av strömställaren får endast utföras av behörig personal. Strömställaren är underhållsfri.</li> <li>- Använd endast kopparkabel. Kabeln får inte förtennas.</li> <li>- Alla anslutningsskruvar måste dras med rekommenderat moment, även de som inte används då det kan finnas interna överkopplingar.</li> </ul>	
Waste Electrical & Electronic Equipment (WEEE)	
Picture name	Description
	Do not throw in the trash as care must be taken to ensure environmentally sound disposal and recycling. Please either use an environmentally friendly waste disposal company; return to the supplier for disposal; or return direct to the manufacturer, Kraus & Naimer. You can find local Kraus & Naimer offices at <a href="http://www.krausnaimer.com">www.krausnaimer.com</a>
Proposition 65	
Picture name	Description
	WARNING: This product can expose you to chemicals including nickel and lead, which is known to the State of California to cause cancer. For more information go to <a href="http://www.P65Warnings.ca.gov">www.P65Warnings.ca.gov</a> .
Classification Contact: Rigid contact bridge	
Classification Contact Mat: Silver	
Classification Terminal: Screw terminal	

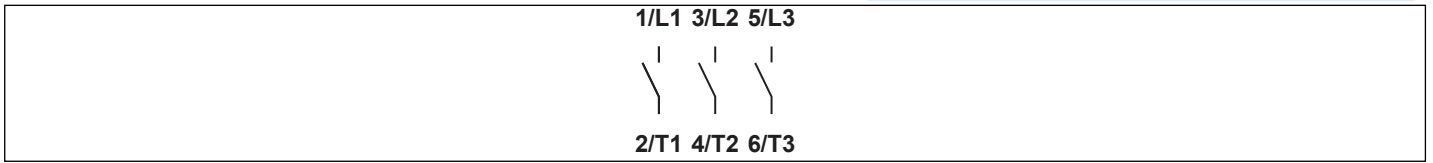
Mounting-E



Skyddsklass frontpanel, IP		IP66, IP67
Stages		1,00 - 5,00
A	□	68,00 mm
B	∅	6,00 mm
C	∅	13,00 - 17,00 mm
D	H	<= 5,50 mm
E	H	88,00 mm
G	H	8,50 mm
M	⌀	1,20 Nm
M1	⌀	1,50 Nm

## Wiring diagram

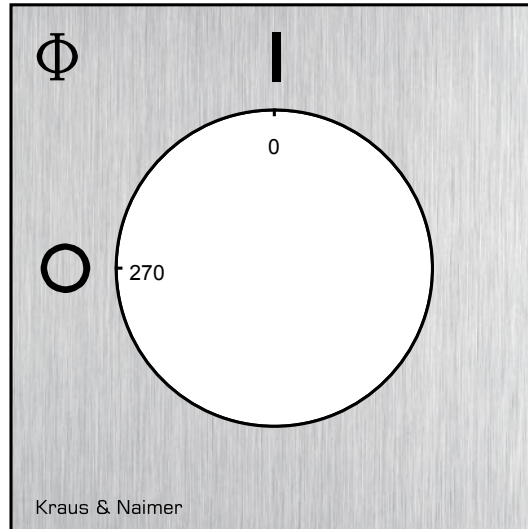
KG315.T303.E





**Face plate**

S1.F456/A10.M1H



## PADLOCK DEVICE

**Designation:** S2.V845/A11/A12

**Face plate and handle unit:** "A" face plate/alu, frame/black, handle/black, locking push rod/red

**Locking position:** "1" at 270°+90° - knockouts every 45°

**Angular displacement:** "1" 1 x 90°

**Type of mounting:** "A" for type of mounting E

**Type of version:** "1" for same switch size

**Switch type:** "2" for KA-, KG- and KH(R)-switches

