



MASTER MHN-FC

MASTER MHN-FC 1000W/740 230V XW

Compact quartz metal halide lamps with double pinch

Warnings and Safety

- Use only in totally enclosed luminaire, even during testing (IEC61167, IEC 62035, IEC60598)
- The luminaire must be able to contain hot lamp parts if the lamp ruptures
- A lamp breaking is extremely unlikely to have any impact on your health. If a lamp breaks, ventilate the room for 30 minutes and remove the parts, preferably with gloves. Put them in a sealed plastic bag and take it to your local waste facilities for recycling. Do not use a vacuum cleaner.

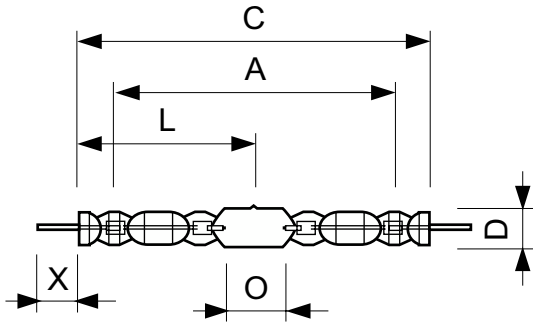
Product data

General Information		Voltage (Nom)	
Cap-Base	Double Ended	130 V	
Operating Position	P5 [Parallel +/-5D or Horizontal(HOR)]	Controls and Dimming	
Life to 50% Failures (Nom)	12,000 hour(s)	Dimmable	No
Light Technical		Mechanical and Housing	
Color Code	740 [CCT of 4000K]	Bulb Finish	Clear
Color Designation	White (WH)	Approval and Application	
Chromaticity Coordinate X (Nom)	374	Mercury (Hg) Content (Nom)	74 mg
Chromaticity Coordinate Y (Nom)	366	Energy Consumption kWh/1000 h	1144 kWh
Correlated Color Temperature (Nom)	4100 K	Product Data	
Luminous Efficacy (rated) (Nom)	91 lm/W	Order product name	MASTER MHN-FC 1000W/740 230V XW
Color rendering index (CRI)	65	Full product name	MASTER MHN-FC 1000W/740 230V XW
Arc Length O (Nom)	42.5 mm	Full product code	871150021424900
Operating and Electrical		Order code	928075705130
Power Consumption	1,040.0 W	Material Nr. (12NC)	928075705130
Voltage (Nom)	130 V	Numerator - Quantity Per Pack	1

MASTER MHN-FC

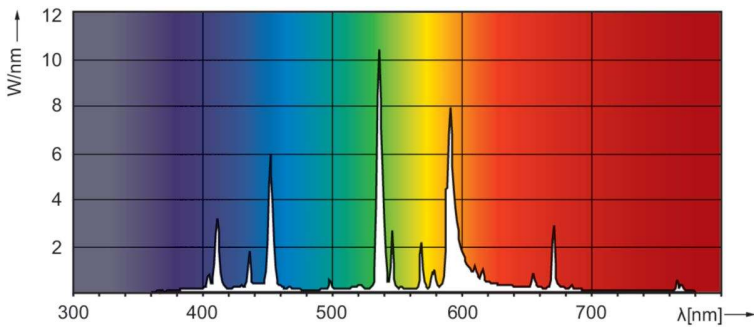
EAN/UPC - Product/Case	8718291548256
Numerator - Packs per outer box	1
EAN/UPC - Case	8711500214249

Dimensional drawing



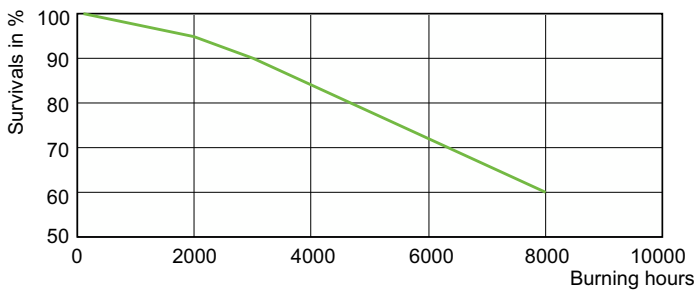
Product	D (max)	D	O	X	L	A	C (max)
MASTER MHN-FC 1000W/740 230V XW	33 mm	25.5 mm	42.5 mm	58 mm	144 mm	226 mm	290 mm

Photometric data

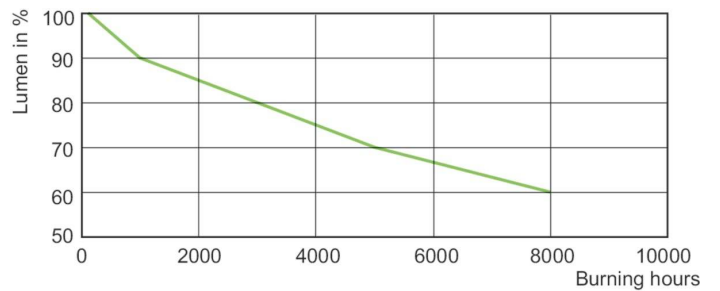


Spectral Power Distribution Colour - MASTER MHN-FC 1000W/740 230V XW

Lifetime



Life Expectancy Diagram - MASTER MHN-FC 1000W/740 230V XW



Lumen Maintenance Diagram - MASTER MHN-FC 1000W/740 230V XW

