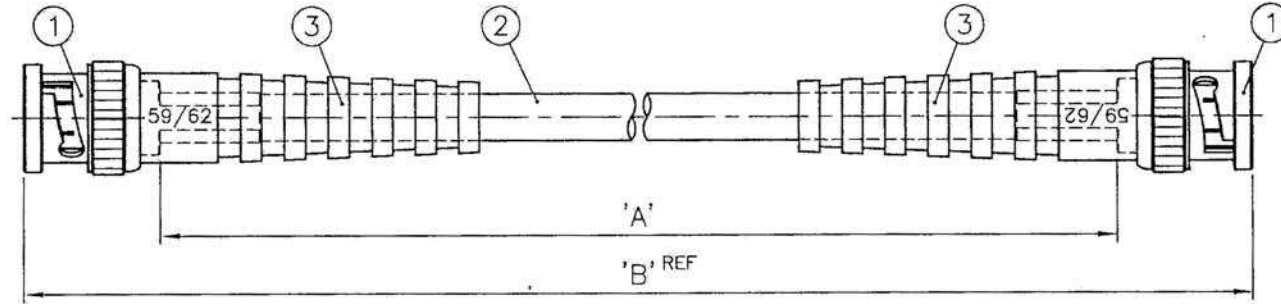


FOR CUSTOMER


REVISIONS		DESCRIPTION\DATE
ISS	SYMBOL	

REMARK: CABLE ASSEMBLY 長度 ≥ 5M, 其長度公差為 ±0.5%



XXXT-RD	'A'	'B'
250T-RD	250	285
500T-RD	500	535
750T-RD	750	785
1MT-RD	1000	1035
1M5T-RD	1500	1535
2MT-RD	2000	2035
3MT-RD	3000	3035
5MT-RD	5000	5035
7M5T-RD	7500	7535
10MT-RD	10000	10035
25MT-RD	25000	25035

HSF COMPLIANT

					DIMENSIONS ARE IN MILLIMETERS			PART NO.			
					UNLESS OTHERWISE SPECIFIED TOLERANCES			APPROVED	DATE		
					<50	=	±1	<i>Jessica</i>	04/20/20'	TITLE CABLE ASSEMBLY (BNC PLUG TO BNC PLUG)	
					>50~500	=	±2	CHECKED	DATE		
					>500~1000	=	±3.5	<i>Ali</i>	04/20/20'	DRAWING NO. CA70P70P05-XXXT-RD	
					>1000~2000	=	±5	DRAWN	DATE		
					>2000~3000	=	±10	<i>Jessica</i>	04/20/20'	FILE NO. Z:\CAA\05\70P-70P\CA70P70P05-XXXT-RD-A1	
					>3000	=	±20				
3	BOOT		RED	2							
2	CABLE		BLACK	1	RG-59/U						
1	CONNECTOR			2	7011NS705BF000B						
NO.	DESCRIPTION	MATERIAL	FINISH	Q'TY	DETAIL	SCALE	1/1	ISSUE	A1		