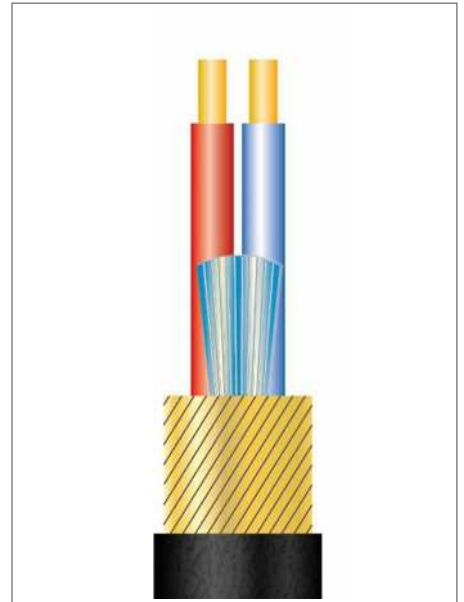
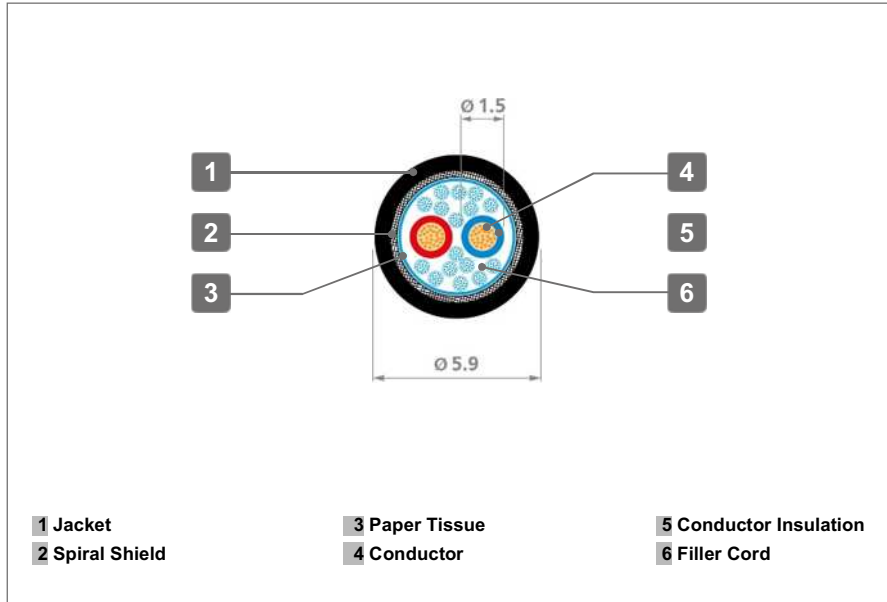


# balanced audio cable 6.0mtr RBFV060

## YME220 Microphone Cable

Microphone Cable, O.D. 5.9 mm, 0.22 mm<sup>2</sup> / AWG 24



### MECHANICAL SPECIFICATION

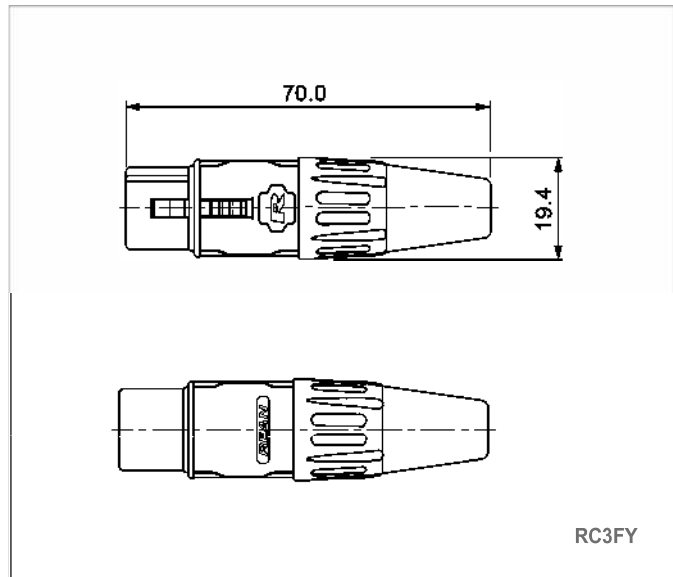
|   |  |
|---|--|
| Composition of conductor                | 28 x 0.10 mm / 28 x AWG 38<br>bare annealed copper, OFC standard   |
| Conductor insulation                    | LD-PE<br>Ø 1.5 mm  |
| Conductor color                         | Red & Blue   |
| Composition of core                     | 2 twisted cores<br>60 mm one turn, left hand   |
| Spiral shield                           | 85 x 0.10 mm, bare annealed copper,<br>OFC standard<br>Coverage > 90 %   |
| Overall jacket material                 | PVC with restricted Substance:<br>Cadmium: < 5 PPM ("Cadmium free")<br>Lead: < 50 PPM<br>Mercury: < 2 PPM<br>Chromium: Not contained<br>Hardness: 65 Shore-A |
| Jacket colour                           | Black<br>(other colours on request)  |
| Overall diameter                        | Ø 5.9 mm<br>tolerance: +/- 0.2 mm  |
| Working temperature - Mobile<br>- Fixed | -5 °C to +70 °C<br>-20 °C to +70 °C  |
| Cable Printing                          | - Standard cable print<br>- Customer cable print on request  |

### ELECTRICAL SPECIFICATION

|   |  |
|---|--|
| Conductor DC resistance                 | ≤ 80 m <sup>Ω</sup> / m – 20 °C                      |
| Screen DC resistance                    | ≤ 30 m <sup>Ω</sup> / m – 20 °C                      |
| Insulation resistance                   | > 1 G <sup>Ω</sup> / km – 20 °C, 500 V <sub>DC</sub> |
| Capacitance 1 Conductor<br>to Conductor | ≤ 65 pF / m – 1 KHz                                  |
| Capacitance 2<br>Conductor to Screen    | ≤ 115 pF / m – 1 KHz                                 |
| Test voltage:<br>Conductor to Conductor | 500 V eff – 50 Hz, 1 Minute                          |
| Test voltage:<br>Conductor / Screen     | 1.000 V eff – 50 Hz, 1 Minute                        |

## XLR Female Cable Connectors

### Y Series



## FEATURES

- *Rugged zinc diecast shell - long lasting and reliable*
- *Unique cage type female contact - increases conductivity*
- *Chuck type strain relief - best cable retention, easy to assemble*
- *Rubber boot kink protection - guarantees best cable protection and offers long cable life*
- *Robust latch locking - provides secure connection*

## CONNECTOR

| Type No. | Description   |
|----------|---|
| RC3FY    | XLR 3-pole female cable connector, nickel metal housing, silver plated contacts |

**REAN**<sup>®</sup>

# XLR Female Cable Connectors

## TECHNICAL DATA

### ELECTRICAL

|                                  |                                    |                                      |
|----------------------------------|------------------------------------|--------------------------------------|
| <b>Contact resistance</b>        | <i>- initial</i>                   | <b>&lt; 10 m<math>\Omega</math></b>  |
|                                  | <i>- after 1'000 mating cycles</i> | <b>&lt; 20 m<math>\Omega</math></b>  |
| <b>Ground contact resistance</b> |                                    | <b>&lt; 100 m<math>\Omega</math></b> |
| <b>Dielectric strength</b>       |                                    | <b>&gt; 1 kV dc</b>                  |
| <b>Insulation resistance</b>     | <i>- initial</i>                   | <b>&gt; 1 G<math>\Omega</math></b>   |
|                                  | <i>- after damp heat test</i>      | <b>&gt; 0.1 G<math>\Omega</math></b> |

### MECHANICAL

|  |  |                                    |
|--|--|------------------------------------|
| <b>Lifetime</b>                                      |  | <b>&gt; 1'000 mating cycles</b>    |
| <b>Mating force</b>                                  |  | <b>&lt; 50 N</b>                   |
| <b>Locking force (pull out locked connector)</b>     |  | <b>&gt; 250 N</b>                  |
| <b>Withdrawal force</b>                              |  | <b>&lt; 20 N</b>                   |
| <b>Strain relief force (depending on cable O.D.)</b> |  | <b>&gt; 100 N</b>                  |
| <b>Cable O.D. range</b>                              |  | <b>4.0 - 8.0 mm</b>                |
| <b>Wiring type</b>                                   |  | <b>Soldering</b>                   |
| <b>Max. wire size</b>                                |  | <b>2.5 mm<sup>2</sup> / AWG 14</b> |

### MATERIAL

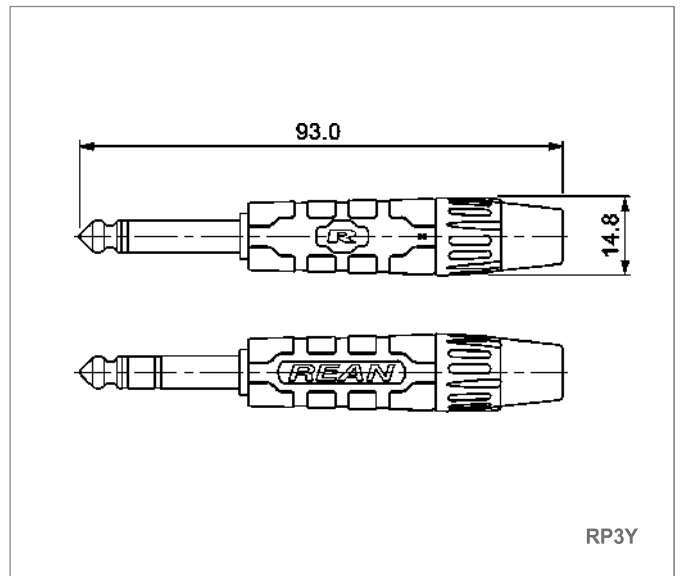
|                              |  |                                     |
|------------------------------|--|-------------------------------------|
| <b>Shell (housing)</b>       |  | <b>Zinc diecast</b>                 |
| <b>Shell plating</b>         |  | <b>Ag</b>                           |
| <b>Insert</b>                |  | <b>Nylon</b>                        |
| <b>Contacts</b>              |  | <b>Bronze</b>                       |
| <b>Contact plating</b>       |  | <b>Tin-cerium or gold</b>           |
| <b>Latch lock</b>            |  | <b>Zinc diecast / CK67 (spring)</b> |
| <b>Latch lock plating</b>    |  | <b>Ni</b>                           |
| <b>Strain relief (chuck)</b> |  | <b>POM</b>                          |
| <b>Bushing</b>               |  | <b>Nylon</b>                        |
| <b>Boot</b>                  |  | <b>Nylon</b>                        |

### ENVIRONMENTAL

|                               |  |                                      |
|-------------------------------|--|--------------------------------------|
| <b>Operating temperature</b>  |  | <b>-20 °C to +70 °C</b>              |
| <b>Protection class</b>       |  | <b>IP 40</b>                         |
| <b>Solderability</b>          |  | <b>Complies with IEC 68-2-20</b>     |
| <b>Manufacturing standard</b> |  | <b>Complies with IEC 61076-2-103</b> |

# 1/4" Phone Plugs, 3-pole

## Y Series



### FEATURES

- *Slim and ergonomic design – space saving and convenient to handle*
- *Rugged zinc diecast shell – long lasting and reliable*
- *Chuck type strain relief – best cable retention, easy to assemble*
- *Rubber boot kink protection – guarantees best cable protection and offers long cable life*

### CONNECTOR

| Type No. | Description   |
|----------|---|
| RP3Y     | 1/4" plug, 3-pole, nickel plated housing and nickel plated plugfinger |

**REAN**<sup>®</sup>

# 1/4" Phone Plugs

## TECHNICAL DATA

### ELECTRICAL

|                        |                   |
|------------------------|-------------------|
| Contact resistance     | < 10 m $\Lambda$  |
| Dielectric strength    | > 1 kV dc         |
| Insulation resistance  | > 1 G $\Lambda$   |
| - initial              |                   |
| - after damp heat test | > 0.1 G $\Lambda$ |

### MECHANICAL

|                       |                            |
|-----------------------|----------------------------|
| Lifetime              | > 1'000 mating cycles      |
| Lateral load capacity | > 4 Nm                     |
| Strain relief force   | > 70 N                     |
| Cable O.D. range      | 4.0 - 7.0 mm               |
| Wiring type           | Soldering                  |
| Max. wire size        | 1 mm <sup>2</sup> / AWG 18 |

### MATERIAL

|                       |              |
|-----------------------|--------------|
| Shell (housing)       | Zinc diecast |
| Shell plating         | Nickel       |
| Insert                | Nylon        |
| Contacts              | Brass        |
| Contact plating       | Ni           |
| Strain relief (chuck) | POM          |
| Bushing               | Nylon        |
| Boot                  | PVC          |

### ENVIRONMENTAL

|                       |                           |
|-----------------------|---------------------------|
| Operating temperature | -20 °C to +70 °C          |
| Solderability         | Complies with IEC 68-2-20 |

Data subject to change without prior notice. © 2017 REAN® is a registered trademark of the Neutrik Group. ALL RIGHTS RESERVED.

**REAN**®