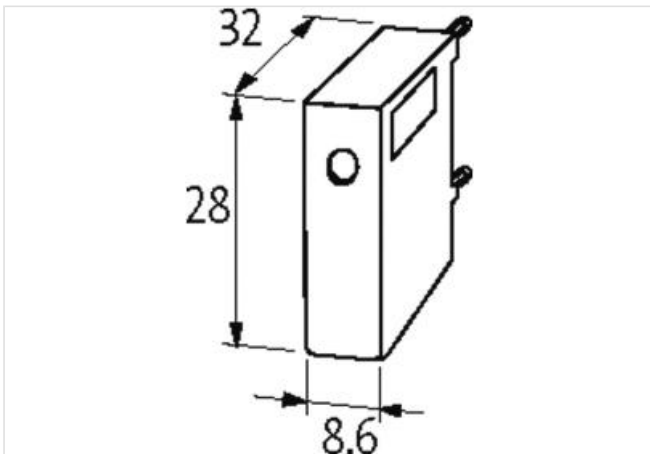
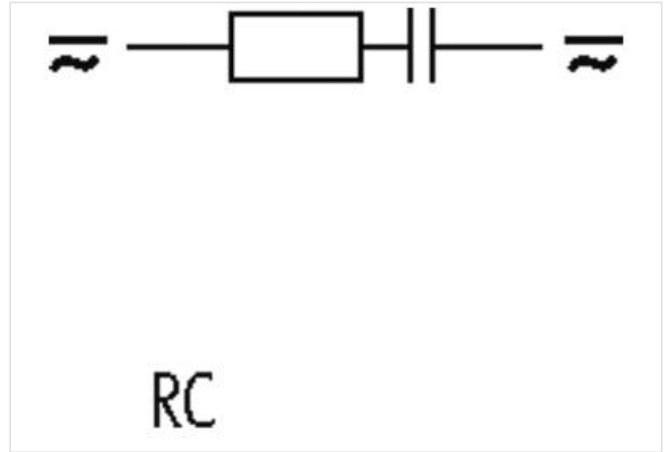


SIEMENS CONTACTOR SUPPRESSOR

RC, 24VDC

24 V AC/DC
RC[Link to Product](#)**Illustration**

Product may differ from Image

**Commercial data**

ECLASS-6.0	27371013
ECLASS-6.1	27371013
ECLASS-7.0	27371013
ECLASS-8.0	27371013
ECLASS-9.0	27371013
ECLASS-10.1	27371013
ECLASS-11.1	27371013
ECLASS-12.0	27371013

ETIM-5.0	EC002498
customs tariff number	85363010
GTIN	4048879019996
Packaging unit	1

Compatibility | Compatible with

Appropriate contactors	3 RH 1/11; 3 RT 1/3 RH1; 3 RT 1/10.15...10.17
------------------------	-----------------------------------------------

Electrical data | Input

Input voltage AC min.	24 V
Input voltage AC max.	53 V
Input voltage DC min.	24 V
Input voltage DC max.	53 V

Mechanical data | Mounting data

Height	28 mm
Width	8,6 mm
Depth	32 mm