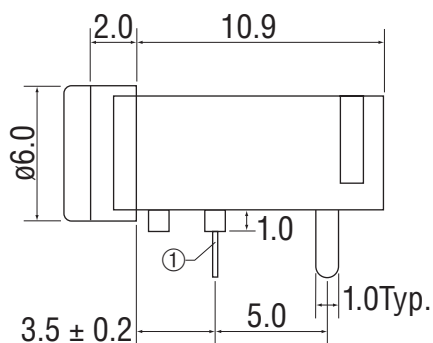
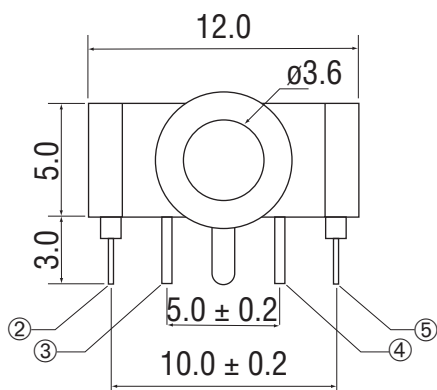
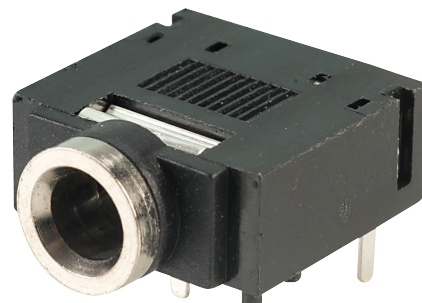
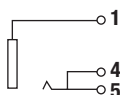


No.	Description	Qty	Material	Plating
1	① Contact foot	1	Phosphor bronze	Ag-plating
2	② Contact foot	1	Phosphor bronze	Ag-plating
3	③ Contact foot	1	Brass	Ag-plating
4	④ Contact foot	1	Brass	Ag-plating
5	⑤ Contact foot	1	Brass	Ag-plating
6	Housing	1	PBT	
7	Axis support	1	Brass	Ni-plating



SCHEMATIC



P.C.B. LAYOUT
TOP VIEW

