

250V 12A

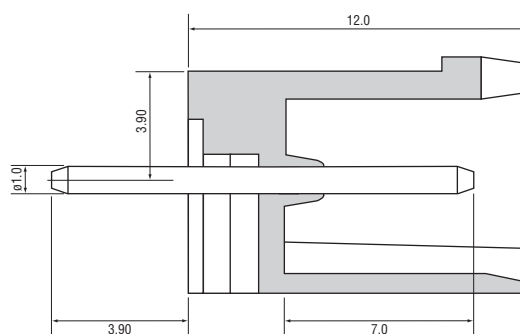
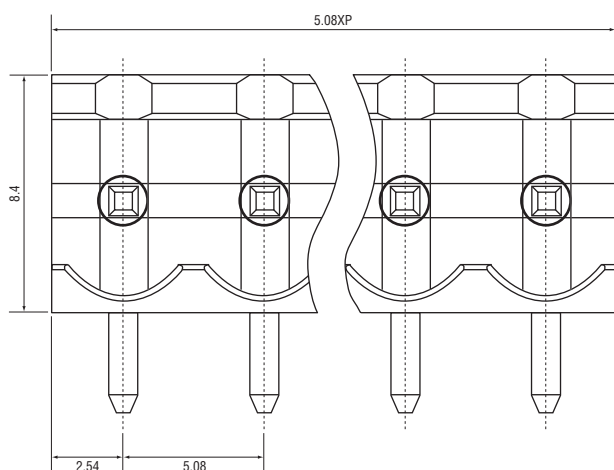
Poles: 2P-16P
 Pitch: 5.08mm & 10.16mm Pin
 Dimension: 1.0 x 1.0mm

Materials:

Housing: Polyamide 6.6, Green Solder pin: Brass, 1.0t, tin plated



Measurements in millimetres



Order code	Poles
21-2856	2
21-2857	3
21-2858	4
21-2859	5
21-2860	6
21-2882	7
21-2861	8
21-2862	10
21-2885	12