

5.08mm Top Header Open 15A Terminal Blocks

Specifications

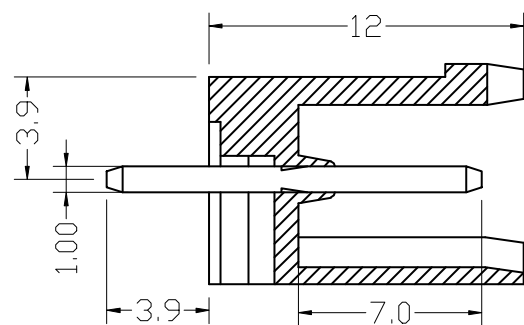
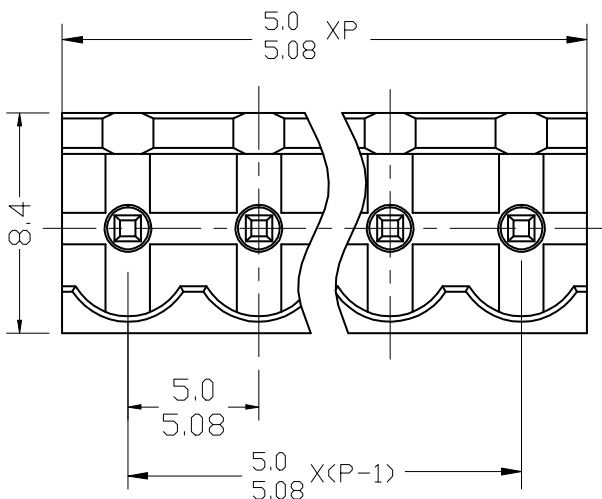
Pitch:	5.08mm
Type:	Vertical, open-ended
Poles:	2 to 12
Rated Voltage:	300V
Rated Current:	15A
Operational Temperature:	-40°C to +105°C
Withstand Voltage:	2500V AC for 60s
Insulation Resistance:	500MΩ at 500V DC
Wave Soldering:	260°C for 5s
Hand Soldering:	350°C for 10s



Colour and Materials

Housing Colour:	Green
Housing Material:	PA66
Flame Retardancy:	UL94-V0
Pin Header:	Tin-plated brass

Order Code	Poles	Order Code	Poles
21-2856	2	21-2941	8
21-2857	3	21-2942	9
21-2858	4	21-2862	10
21-2859	5	21-2943	11
21-2860	6	21-2944	12
21-2940	7		



Measurements are in mm unless stated otherwise.

