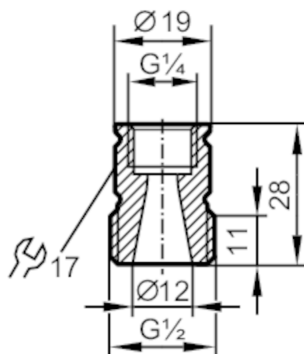


E40266



Adapter

ADAPT G1/2- G1/4 I2 IV4A



Mechanical data

Weight	[g]	117.5
Materials	Adapter: stainless steel (1.4404 / 316L); Gasket: Centellen	
Sensor connection	G 1/4	
Process connection	G 1/2	

Accessories

Accessories (supplied)	O-rings: 2
------------------------	------------

Remarks

Pack quantity	2 pcs.
---------------	--------