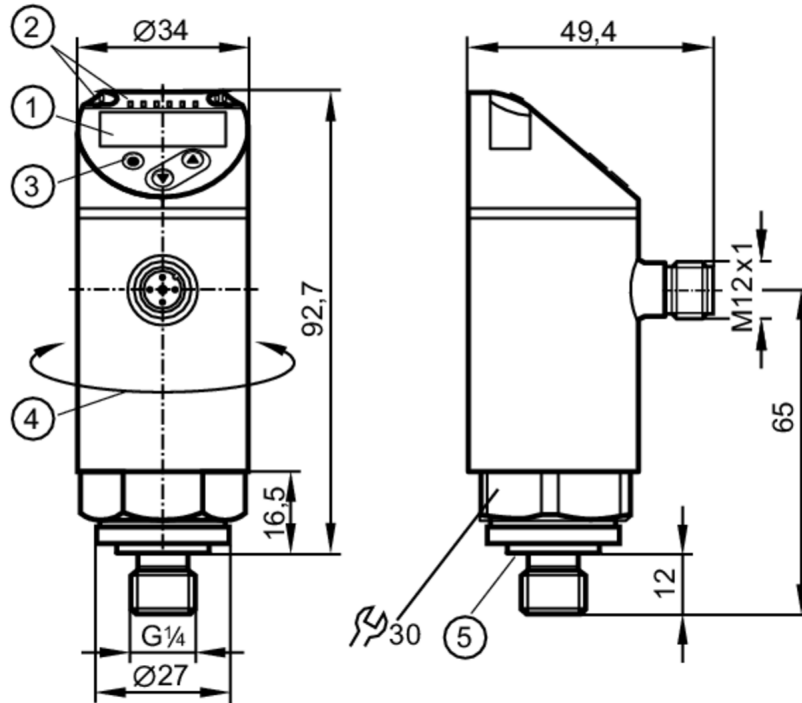


# PN3560



## Pressure sensor with display

PN-600-SEG14-MFRKG/US /V



- 1 alphanumeric display 4-digit red/green
- 2 LEDs Display unit / switching status
- 3 programming button
- 4 upper part of the housing can be rotated 345°
- 5 Sealing



### Product characteristics

Output signal	switching signal; analogue signal; IO-Link; (configurable)		
Measuring range	0...600 bar	0...8700 psi	0...60 MPa
Process connection	threaded connection G 1/4 external thread (DIN EN ISO 1179-2); internal thread M5		

### Application

Special feature	Gold-plated contacts		
Measuring element	metallic thin film cell		
Application	for industrial applications		
Media	liquids and gases		
Medium temperature [°C]	-25...80		
Pressure rating	800 bar	11580 psi	80 MPa
Min. bursting pressure	2500 bar	36250 psi	250 MPa
Vacuum resistance [mbar]	-1000		
Type of pressure	relative pressure		

# PN3560



## Pressure sensor with display

PN-600-SEG14-MFRKG/US/ IV

Electrical data			
Operating voltage	[V]	18...30 DC; (according to EN 50178 SELV/PELV)	
Current consumption	[mA]	< 35	
Min. insulation resistance	[MΩ]	100; (500 V DC)	
Protection class		III	
Reverse polarity protection		yes	
Power-on delay time	[s]	0.3	
Integrated watchdog		yes	
Inputs / outputs			
Number of inputs and outputs		Number of digital outputs: 1; Number of analogue outputs: 1	
Outputs			
Total number of outputs		2	
Output signal		switching signal; analogue signal; IO-Link; (configurable)	
Electrical design		PNP	
Number of digital outputs		1	
Output function		normally open / normally closed; (parameterisable)	
Max. voltage drop switching output DC	[V]	2.5	
Permanent current rating of switching output DC	[mA]	150; (200 (...60 °C) 250 (...40 °C))	
Switching frequency DC	[Hz]	< 170	
Number of analogue outputs		1	
Analogue current output	[mA]	4...20	
Max. load	[Ω]	500	
Analogue voltage output	[V]	0...10	
Min. load resistance	[Ω]	2000	
Short-circuit protection		yes	
Type of short-circuit protection		pulsed	
Overload protection		yes	
Measuring/setting range			
Measuring range		0...600 bar	0...8700 psi
			0...60 MPa
Factory setting / CMPT = 2			
Set point SP		4...600 bar	40...8700 psi
Reset point rP		2...598 bar	20...8680 psi
Min. difference between SP and rP		2 bar	40 psi
In steps of		2 bar	20 psi
			0.2 MPa
Status_B High Resolution / CMPT = 3			
Set point SP		3...600 bar	47...8702 psi
Reset point rP		2...599 bar	26...8681 psi
Min. difference between SP and rP		2 bar	21 psi
In steps of		1 bar	1 psi
			0.1 MPa
Accuracy / deviations			
Switch point accuracy		< ± 0,5	

# PN3560



## Pressure sensor with display

PN-600-SEG14-MFRKG/US/ IV

	[% of the span]	
Repeatability	[% of the span]	$< \pm 0,1$ ; (with temperature fluctuations $< 10$ K)
Characteristics deviation	[% of the span]	$< \pm 0,25$ (BFSL) / $< \pm 0,5$ (LS); (BFSL = Best Fit Straight Line; LS = limit value setting)
Hysteresis deviation	[% of the span]	$< \pm 0,25$
Long-term stability	[% of the span]	$< \pm 0,05$ ; (per 6 months)
Temperature coefficient zero point	[% of the span / 10 K]	0,2; (-25...80 °C)
Temperature coefficient span	[% of the span / 10 K]	0,2; (-25...80 °C)

### Response times

Response time	[ms]	$< 3$
Delay time programmable dS, dr	[s]	0...50
Damping for the switching output dAP	[s]	0...4
Damping for the analogue output dAA	[s]	0...4
Max. response time analogue output	[ms]	3

### Software / programming

Parameter setting options	hysteresis / window; normally open / normally closed; switch-on/ switch-off delay; Damping; Display unit; current/voltage output
---------------------------	--

### Interfaces

Communication interface	IO-Link	
Transmission type	COM2	
IO-Link revision	1.1	
SDCI standard	IEC 61131-9	
SIO mode	yes	
Required master port type	A	
Process data analogue	1	
Process data binary	1	
Supported DeviceIDs	Type of operation	DeviceID
	Factory setting / CMPT = 2	426 d / 00 01 aa h
	Status_B High Resolution / CMPT = 3	605 d / 00 02 5d h
Note	For further information please see the IO-Link PDF file at "Downloads"	

# PN3560



## Pressure sensor with display

PN-600-SEG14-MFRKG/US/ /V

Factory setting / CMPT = 2		
Profiles	Smart Sensor: Process Data Variable; Device Identification, Device Diagnosis	
Min. process cycle time [ms]	2.3	
IO-Link resolution pressure [bar]	1	
IO-Link resolution pressure [MPa]	0.1	
IO-Link functions (cyclical)	function	bit length
	pressure	14
	binary switching information	1
IO-Link functions (acyclical)	application specific tag	
Status_B High Resolution / CMPT = 3		
Profiles	Smart Sensor ED2: Digital Measuring Sensor (0x000A), Identification and Diagnosis (0x4000)	
Min. process cycle time [ms]	3	
IO-Link resolution pressure [bar]	0.2	
IO-Link resolution pressure [MPa]	0.02	
IO-Link functions (cyclical)	function	bit length
	pressure	16
	device status	4
IO-Link functions (acyclical)	application specific tag	
Operating conditions		
Ambient temperature [°C]	-25...80	
Storage temperature [°C]	-40...100	
Protection	IP 65; IP 67	
Tests / approvals		
EMC	DIN EN 61000-6-2	
	DIN EN 61000-6-3	
Shock resistance	DIN EN 60068-2-27	50 g (11 ms)
Vibration resistance	DIN EN 60068-2-6	20 g (10...2000 Hz)
MTTF [years]	190	
UL approval	UL Approval no.	J006
Pressure Equipment Directive	Sound engineering practice; can be used for group 2 fluids; group 1 fluids on request	
Mechanical data		
Weight [g]	258.5	
Materials	1.4542 (17-4 PH / 630); stainless steel (1.4404 / 316L); PBT+PC-GF30; PBT-GF20; PC	
Materials (wetted parts)	1.4542 (17-4 PH / 630)	
Min. pressure cycles	100 million	
Tightening torque [Nm]	30...50; (recommended tightening torque; depends on lubrication, seal and pressure rating)	
Process connection	threaded connection G 1/4 external thread (DIN EN ISO 1179-2); internal thread M5	
Process connection sealing	FKM (to DIN 3869)	
Restrictor element integrated	no (can be retrofitted)	
Displays / operating elements		
Display	Display unit	3 x LED, green (bar, psi, MPa)
	switching status	1 x LED, yellow
	measured values	alphanumeric display, red/green 4-digit

# PN3560



## Pressure sensor with display

PN-600-SEG14-MFRKG/US/ IV

### Remarks

Pack quantity

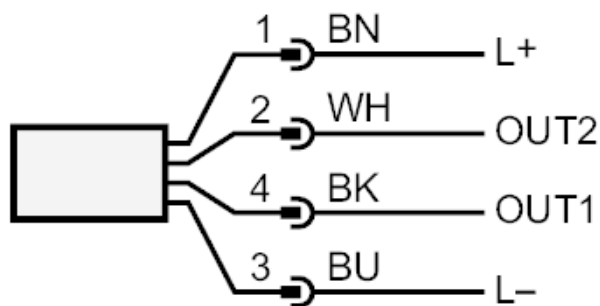
1 pcs.

### Electrical connection

Connector: 1 x M12; Contacts: gold-plated



### Connection



OUT1            switching output

OUT2            analogue output

Core colours :

BK =            black

BN =            brown

BU =            blue

WH =            white