

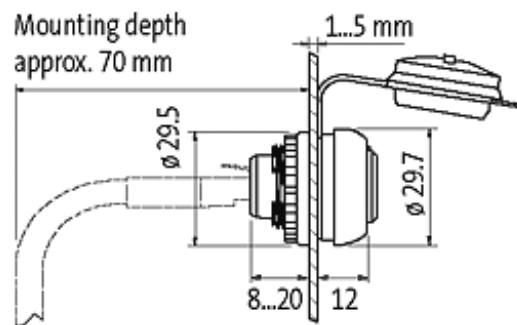
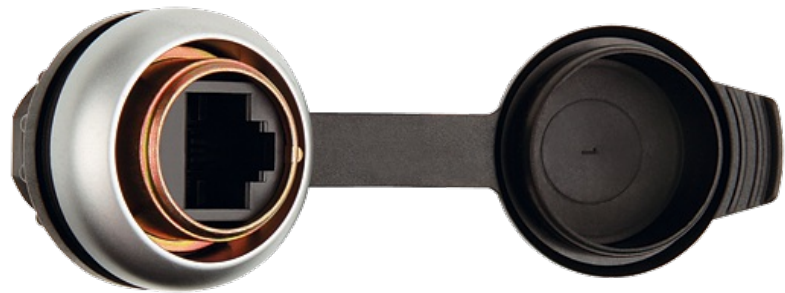
MSDD INSTALLATION SOCKET RJ45 BU/BU

Pass-through

1 × RJ45, 8-pole metal, CAT5e (female/female)

[Link to Product](#)

Illustration



Product may differ from Image

Approvals



Technical Data

Operating voltage	24 V AC
Operating current	max. 1.5 A
Specification	SUB-D: (DIN 41652/IEC 60807-1); RJ45: CAT5e (100 MHz - Mbit/s); USB: 2.0/Type 2dB (max. 480 Mbit/s)
Mounting depth mounted	approx. 19 mm

General data

Shielded	yes
Protection	IP65
Dimensions H × W × D	29.5×29.5×29 mm
Cut-out	Ø 22.5 mm

Commercial data

country of origin	CZ
customs tariff number	85366990
minimum order quantity	1