

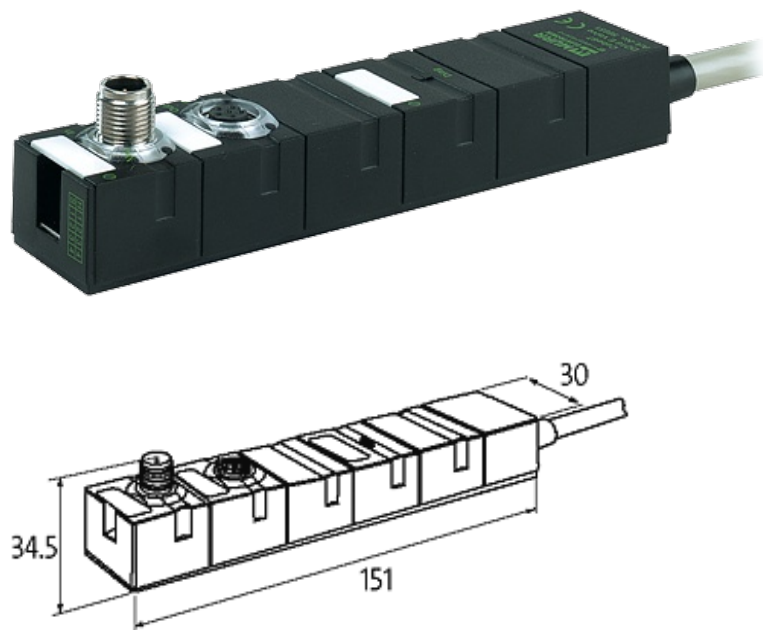
CUBE67 DI16/DO16 E CABLE 0,5A AMP-BUCHSE

Expansion module
 DI16/DO16 - 0.5 A (E) AMP (0.3 m)
 With AMP connector 32-pole (female)

For connection cables please see chapter "Connection Technology" All housings are fully potted

[Link to Product](#)

Illustration



Product may differ from Image

Input

| | |
|------------------|--|
| Sensor supply US | 24 V DC (EN 61131-2), max. 0.2 A |
| Type | for 3-wire sensors or mechanical switches, PNP, (EN 61131-2) |
| Input filter | 1 ms |

Internal communication

| | |
|---------------------|--|
| LED display | US: sensor supply and internal supply voltage (green: OK); UA: actuator supply (green: OK) |
| Current consumption | max. 50 mA |

Connections

| | |
|-------------------------------|---|
| Fieldbus | via internal system connection |
| Sensor-system/actuator supply | via internal system connection (max. 2x4 A) |
| I/O ports | Cable (0.5 m) / AMP |

Cables

| | |
|------------------------------|--|
| No./diameter of wires | 36 × 0.14 mm ² |
| Material (jacket) | PVC |
| General data | |
| Protection | IP20/IP67 |
| Mounting method | 2-hole screw mounting |
| Temperature range | 0...+55 °C (storage temperature -20...+75 °C) |
| Dimensions H × W × D | 150×30×34.5 mm |
| Output | |
| Actuator supply UA | 24 V DC (EN 61131-2), via system connection (max. 4 A) |
| Switching current per output | max. 0.5 A (short-circuit and overload protected) |
| Diagnostic | |
| Communication status | via LED |
| Diagnostic via LED | per module and channel |
| Diagnostic via BUS | per module and channel |
| Monitoring - under voltage | yes |
| Monitoring - no voltage | yes |
| Short circuit and overload | yes |
| Actuator warning | per channel via LED and BUS |
| Commercial data | |
| country of origin | DE |
| customs tariff number | 85176200 |
| minimum order quantity | 1 |