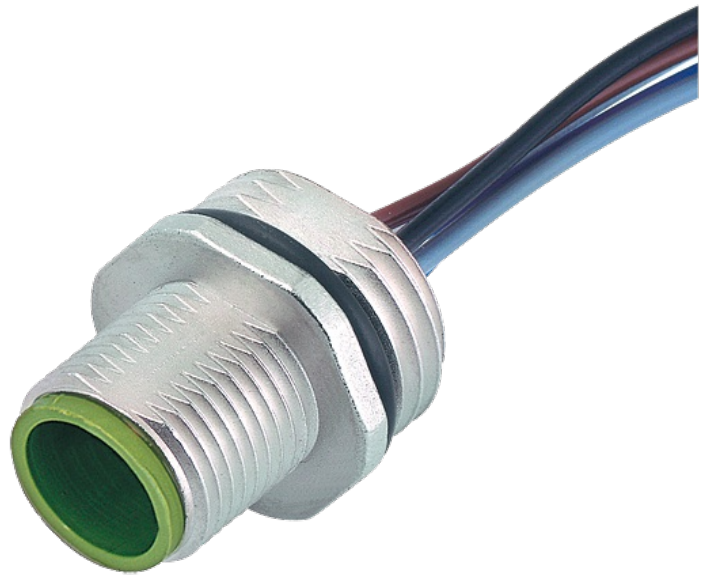


**M12 male receptacle A-cod. front mount incl. nut**

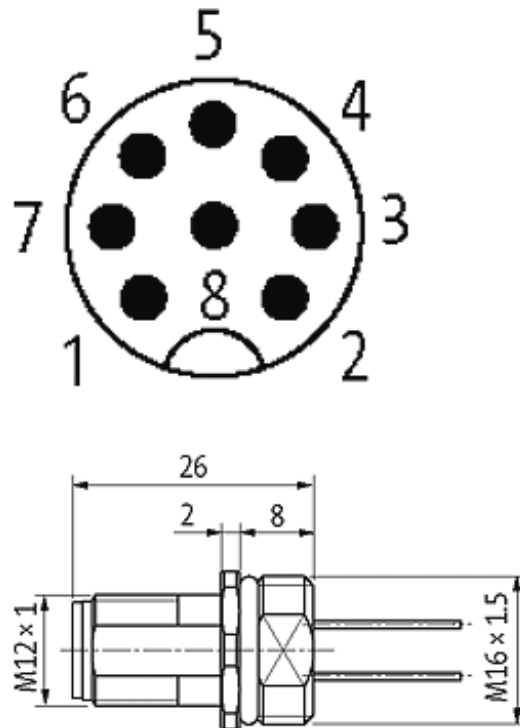
wires 8x0.25 0,5m

Flange M12 male  
8-pole  
Front mounting  
Mounting nut  
with multi-strand wire

[Link to Product](#)**Illustration**

1	■	white
2	■	brown
3	■	green
4	■	yellow
5	■	gray
6	■	pink
7	■	blue
8	■	red

## Male



Product may differ from Image

**Form**

17162

**Technical Data**

Operating voltage	max. 60 V AC/DC
Operating current per contact	max. 2 A
Locking of ports	Screw thread M12 × 1 mm (recommended torque 0.6 Nm) self-securing
Protection	IP67 inserted and tightened (EN 60529)

**Cables**

Cable number	973
No./diameter of wires	8 × 0.25 mm <sup>2</sup>
Wire isolation	PP (wh, br, gn, ye, gr, pk, bl, rd)
C-track properties	2 Mio.
Shore hardness outer jacket	75 ± 5A
Outer diameter	approx. 1.25 mm
Bend radius (fixed)	10 × outer Ø
Bend radius (moving)	15 × outer Ø
Temperature range (fixed)	-40...+80 °C
Temperature range (mobile)	-20...+80 °C

**Commercial data**

minimum order quantity

1