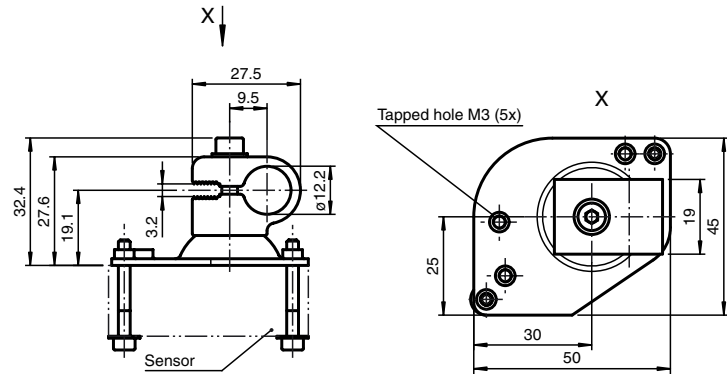




Dimensions



Model number

OMH-01

Mounting aid for round steel \varnothing 12 mm or sheet 1.5 mm ... 3 mm

Features

- Bracket for round steel or sheet

Technical data

Mechanical specifications

Material	Metal sheet (steel), zinc plated aluminium
Mass	approx. 50 g

Suitable series

Series	MLV11 MLV12
--------	----------------