

Adapter for the installation of actuators and indicators, 22 mm, in a mounting hole 30.5 mm, metal, shiny, with gasket



Figure similar





Product brand name	SIRIUS ACT
Product designation	Adapter
Design of the product	for 30.5 mm to 22.5 mm mounting hole
Product type designation	3SU1

General technical data	
Protection class IP	IP66, IP67, IP69(IP69K)

Installation/ mounting/ dimensions	
Height	40 mm
Width	38 mm
Mounting height	4.6 mm

Accessories	
Material of accessory	Metal shiny
Color of accessory	Silver

Certificates/approvals	
------------------------	--

General Product Approval			Declaration of Conformity	Test Certificates	
 CSA	 UL		 EG-Konf.	<a href="#">Declaration of the Compliance with the order</a>	<a href="#">Special Test Certificate</a>

**other**

[Confirmation](#)

**Further information**

**Information- and Downloadcenter (Catalogs, Brochures,...)**

<http://www.siemens.com/industrial-controls/catalogs>

**Industry Mall (Online ordering system)**

<https://mall.industry.siemens.com/mall/en/en/Catalog/product?mlfb=3SU1950-0KB10-0AA0>

**Cax online generator**

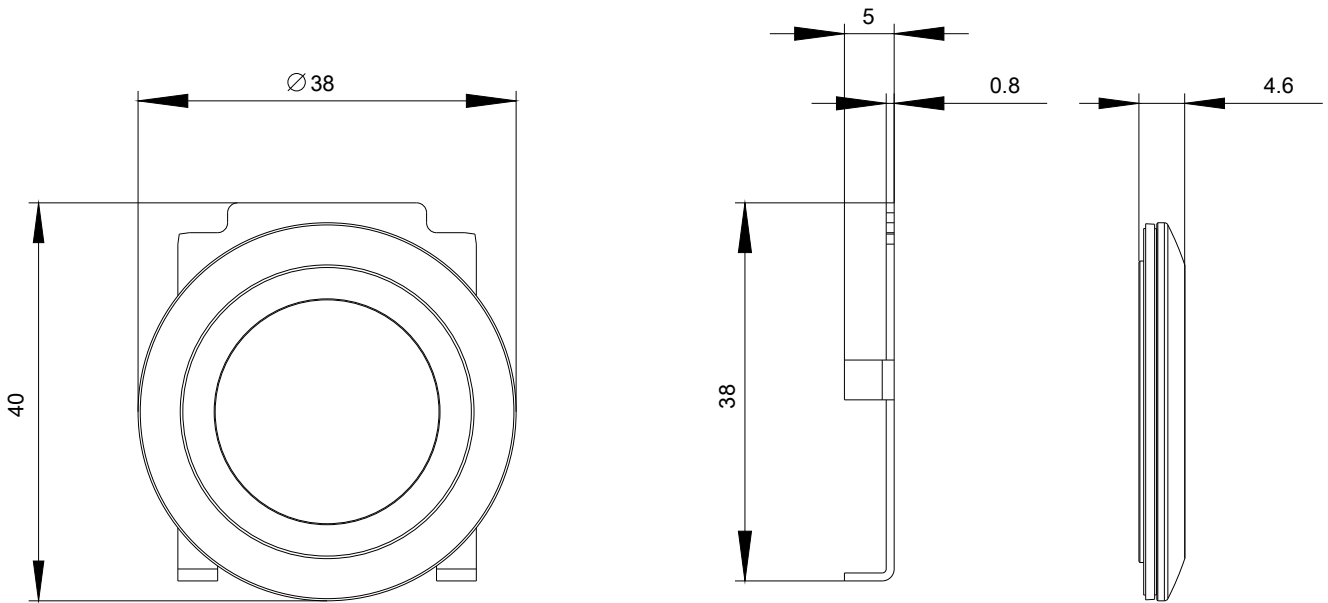
<http://support.automation.siemens.com/WW/CAXorder/default.aspx?lang=en&mlfb=3SU1950-0KB10-0AA0>

**Service&Support (Manuals, Certificates, Characteristics, FAQs,...)**

<https://support.industry.siemens.com/cs/ww/en/ps/3SU1950-0KB10-0AA0>

**Image database (product images, 2D dimension drawings, 3D models, device circuit diagrams, EPLAN macros, ...)**

[http://www.automation.siemens.com/bilddb/cax\\_de.aspx?mlfb=3SU1950-0KB10-0AA0&lang=en](http://www.automation.siemens.com/bilddb/cax_de.aspx?mlfb=3SU1950-0KB10-0AA0&lang=en)



last modified:

09/25/2017