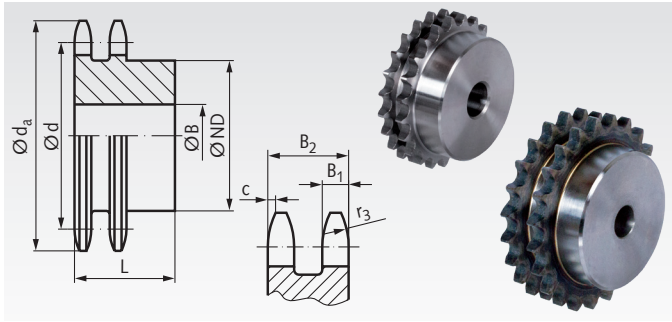


Double-Strand Sprockets, One-Sided Hub, ISO 12 B-2



Material: Steel C45, optionally hardened.
Pre-bored. Sprockets marked with * from grey cast iron GG25.

Type ZRS: Not hardened.

Type ZRG: Teeth induction hardened (approx. HRC 50).

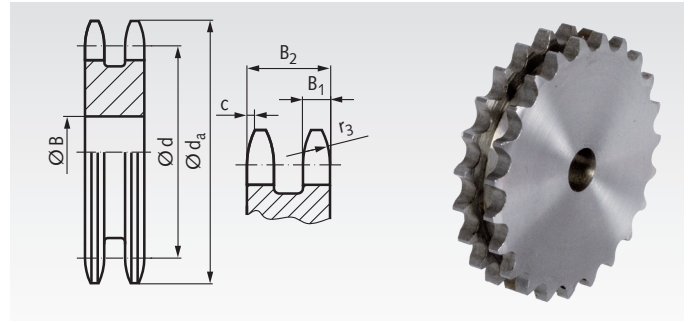
Ordering Details: e.g.: Product No. 12710800, ZRS, ISO 12 B-2, 8 Teeth

ISO 12 B-2, Pitch 3/4 x 7/16"

$B_1 = 10.8 \text{ mm}$, $B_2 = 30.3 \text{ mm}$ $c = 2.0 \text{ mm}$, $r_3 = 19 \text{ mm}$

Product No. ZRS	Product No. ZRG	Number of teeth	d_a mm	d mm	ND mm	B mm	L mm	Weight kg
127 108 00	127 881 08	8	57,6	49,78	31	12	45	0,31
127 109 00	127 881 09	9	62,0	55,70	37	12	45	0,44
127 110 00	127 881 10	10	69,0	61,64	42	12	45	0,59
127 111 00	127 881 11	11	75,0	67,61	47	16	50	0,83
127 112 00	127 881 12	12	81,5	73,61	53	16	50	1,03
127 113 00	127 881 13	13	87,5	79,59	59	16	50	1,26
127 114 00	127 881 14	14	93,6	85,61	65	16	50	1,52
127 115 00	127 881 15	15	99,8	91,63	71	16	50	1,79
127 116 00	127 881 16	16	105,5	97,65	77	20	50	2,04
127 117 00	127 881 17	17	111,5	103,67	83	20	50	2,37
127 118 00	127 881 18	18	118,0	109,71	89	20	50	2,71
127 119 00	127 881 19	19	124,2	115,75	95	20	50	3,08
127 120 00	127 881 20	20	129,7	121,78	100	20	50	3,45
127 121 00	127 881 21	21	136,0	127,82	100	20	50	3,70
127 122 00	127 881 22	22	141,8	133,86	100	20	50	3,97
127 123 00	127 881 23	23	149,0	139,90	110	20	50	4,51
127 124 00	127 881 24	24	153,9	145,94	110	20	50	4,82
127 125 00	127 881 25	25	160,0	152,00	120	20	50	5,41
127 130 00	127 881 30	30	190,5	182,25	120	20	50	7,20
127 132 00	127 881 32	32	203,3	194,35	130	20	50	8,00
127 138 00	127 881 38	38	239,0	230,69	130	25	50	10,89
127 145 00*	-	45	282,5	273,10	110	30	63	8,33
127 157 00*	-	57	354,0	345,81	120	30	63	10,53
127 176 00*	-	76	469,9	460,99	135	30	63	16,04
127 183 00*	-	95	585,1	576,17	135	30	70	21,00

Double-Strand plate wheels ZRL, ISO 12 B-2



Material: Low-carbon steel, not hardable.
Pre-bored.

Ordering Details: e.g.: Product No. 12721100, ZRL, ISO 12 B-2, 11 Teeth

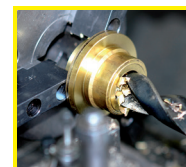
ISO 12 B-2, Pitch 3/4 x 7/16"

$B_1 = 10.8 \text{ mm}$, $B_2 = 30.3 \text{ mm}$ $c = 2.0 \text{ mm}$, $r_3 = 19 \text{ mm}$

Product No. ZRL	Number of teeth	d_a mm	d mm	B mm	Weight kg
127 211 00	11	75,0	67,61	14	0,56
127 212 00	12	81,5	73,61	14	0,72
127 213 00	13	87,5	79,59	14	0,88
127 214 00	14	93,6	85,61	16	1,04
127 215 00	15	99,8	91,63	16	1,21
127 216 00	16	105,5	97,65	16	1,41
127 218 00	18	118,0	109,71	16	1,81
127 220 00	20	129,7	121,78	16	2,31
127 222 00	22	141,8	133,86	20	2,79
127 223 00	23	149,0	139,90	20	3,09
127 224 00	24	153,9	145,94	20	3,43
127 227 00	27	172,3	164,09	20	4,38
127 228 00	28	178,0	170,13	20	4,73
127 230 00	30	190,5	182,25	20	5,49
127 235 00	35	221,0	212,52	20	7,58
127 238 00	38	239,0	230,69	25	8,99
127 245 00	45	282,5	273,10	25	12,86
127 248 00	48	300,1	291,27	25	14,50
127 257 00	57	355,4	345,81	25	20,85
127 276 00	76	469,9	460,99	30	37,50
127 283 00	95	585,1	576,17	30	58,00
127 288 00	114	700,6	691,36	30	86,00



Sprockets marked with * are made from grey cast iron GG25.



**Reworking within
24h-service possible.
Custom made parts
on request.**