

Slides DH 3832, Corrosion Proof, Width 12.7 mm, to 50 kg, Full Extension

Material: Slide elements: Cold-rolled steel, special zinc plating.
Ball retainers: Plastic / stainless steel. Balls: Stainless steel.

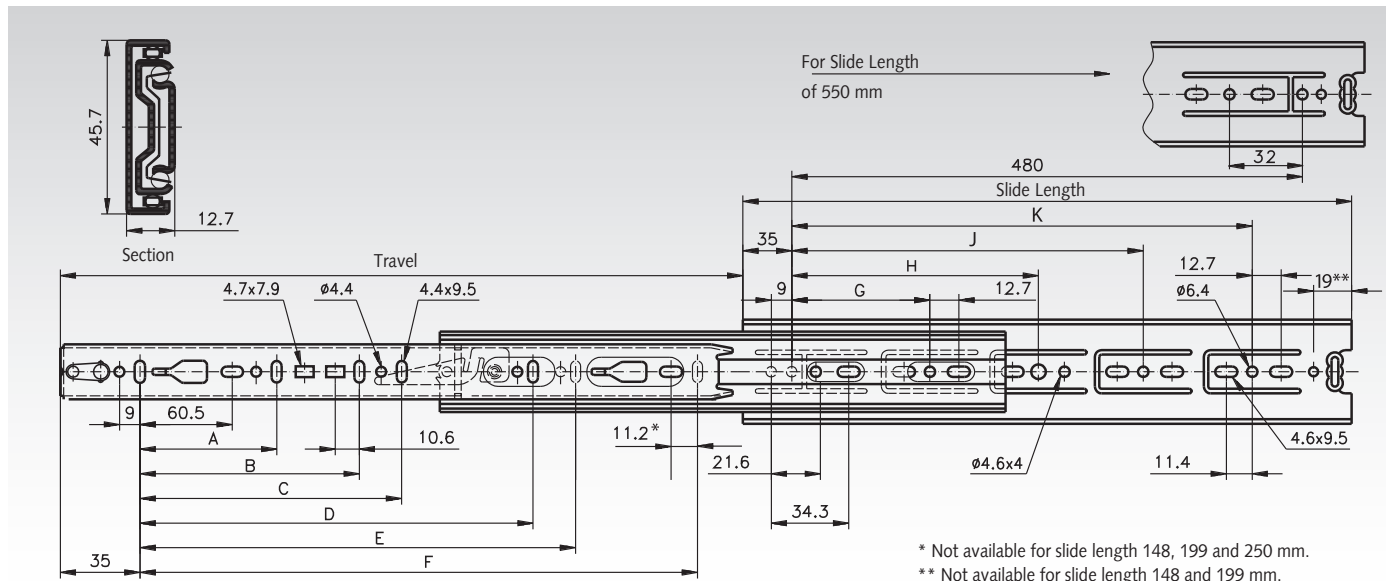
Telescopic ball bearing slides for applications in the industrial and electronics sector.

- Corrosion proof for rough environments.
- 8 times better protection than with zinc-plated surface finish.
- Ball retainers, balls and rivets made from stainless steel.
- Hold-in in closed position.
- Fast disconnection.
- Cam drawer adjust (3.1 mm).
- Service life 80,000 cycles.
- Temperature range: -20°C to +70°C.

Ordering details: e.g.: Prod. No. 649 312 25, Slides DH 3832



Accuride



Product No. per Pair	Slide Length mm	Travel +/-3.2 mm	A mm	B mm	C mm	D mm	E mm	F mm	G mm	H mm	J mm	K mm	Load Rating per Pair kg	Weight per Pair kg
649 312 15	148	138	-	-	-	-	-	-	77,2	-	-	-	45	0,43
649 312 20	199	203	128	-	-	-	-	141	128	-	-	-	46	0,61
649 312 25	250	254	96	-	-	-	-	192	128	-	-	-	47	0,76
649 312 30	300	305	96	-	-	-	-	242	128	224	-	-	48	0,90
649 312 35	350	356	128	-	-	-	-	292	128	224	-	-	49	1,06
649 312 40	400	406	128	-	-	-	-	342	128	224	320	-	50	1,21
649 312 45	450	457	128	-	-	320	-	392	128	224	352	-	50	1,36
649 312 50	500	508	128	-	-	320	-	442	128	224	416	-	50	1,51
649 312 55	550	559	128	-	-	320	416	492	128	224	352	448	50	1,67
649 312 60	600	610	128	224	-	416	-	542	128	224	352	480	50	1,85
649 312 65	650	660	128	224	-	416	544	592	128	224	352	544	49	1,98
649 312 70	700	711	128	224	288	416	544	642	128	224	352	544	48	2,15

Note

Recommended mounts: M4 screw.
Use all mounting positions to achieve the max. load rating.
Horizontal mounting not recommended.

Selection Tool
on the Internet at www.maedler.de
in the section **MÄDLER®-Tools**