

# Poke-Home: Horizontal 18-26 AWG: WTB

00-9276



The new 9276 series connector provides a quick and reliable wire-to-board termination in a sleek 2.5mm pitch SMT package for a broad range of industrial and commercial markets. With almost every product on the market today having to deal with a small number of discrete wires to connect components to a board, the 9276 series connectors meets this challenge by simply stripping the wire and inserting them into the connector. This makes the connector very termination friendly within the factory as well as in the field by electrical installers. Developed for harsh industrial and Solid State Lighting (SSL) applications, the connector was designed with a high spring force Beryllium Copper upper spring contact to accept a wide range (18-26 AWG solid or stranded) of wire to meet multiple applications with a single connector. By incorporating a dual-contact design we were able to maximize current rating (6 Amps) and minimize PCB space. For example, the 4p connector has a footprint of 90 sq-mm while competing products are 160 sq-mm. The dual-contact design also provides two solder points for each wire eliminating the need for external anchor tabs. AVX provides a small insertion / extraction tool which will allow the wires to easily be replaced up to 5 times.

## APPLICATIONS

- Connecting discrete wire components directly to the PCB
- Bringing power and signals onto a PCB
- Daisy chaining PCB's together to create a continuous string of boards
- Application notes: refer to 201-01-127

## FEATURES AND BENEFITS

- Simple strip, insert and removal design
- SMT RoHS termination to the PCB with minimal footprint
- Accepts 18-26 AWG Solid and Stranded wires
- Expanded size offering to maximize application potential; 1, 2, 3, 4, 6 & 8 positions
- High spring force top contact provides a lance type retention to capture and retain the wire
- Available in standard white and optional black color

## ELECTRICAL

- Current Rating: 6 Amps / Contact
- Voltage Rating: 300 VAC

## ENVIRONMENTAL

- Operating Temperature: -40°C to +125°C

## MECHANICAL

- Insulator Material: Glass-Filled Nylon 46; UL94V0
- Contact Material: Beryllium Copper / Phosphor Bronze
- Plating: Tin over Nickel
- Replaceability: 5 Cycles

## HOW TO ORDER

<b>00</b>	<b>9276</b>	<b>00X</b>	<b>0</b>																					
Wire to Board Connector	Series	Number of Ways	Horizontal Mounting																					
		<table border="1"> <thead> <tr> <th>Code</th> <th>No of Ways</th> <th>Details</th> </tr> </thead> <tbody> <tr><td>001</td><td>1</td><td>Page 3</td></tr> <tr><td>002</td><td>2</td><td>Page 4</td></tr> <tr><td>003</td><td>3</td><td>Page 5</td></tr> <tr><td>004</td><td>4</td><td>Page 6</td></tr> <tr><td>006</td><td>6</td><td>Page 7</td></tr> <tr><td>008</td><td>8</td><td>Page 8</td></tr> </tbody> </table>	Code	No of Ways	Details	001	1	Page 3	002	2	Page 4	003	3	Page 5	004	4	Page 6	006	6	Page 7	008	8	Page 8	
Code	No of Ways	Details																						
001	1	Page 3																						
002	2	Page 4																						
003	3	Page 5																						
004	4	Page 6																						
006	6	Page 7																						
008	8	Page 8																						

<b>21</b>								
Wire Gauge Size								
<table border="1"> <thead> <tr> <th>Code</th> <th>Accepted Wire Gauge</th> <th>Max Conductor</th> <th>Max Insulation</th> </tr> </thead> <tbody> <tr> <td>21</td> <td>18 - 26 AWG Solid or Stranded</td> <td>1.20mm Diameter</td> <td>2.10mm Diameter</td> </tr> </tbody> </table>	Code	Accepted Wire Gauge	Max Conductor	Max Insulation	21	18 - 26 AWG Solid or Stranded	1.20mm Diameter	2.10mm Diameter
Code	Accepted Wire Gauge	Max Conductor	Max Insulation					
21	18 - 26 AWG Solid or Stranded	1.20mm Diameter	2.10mm Diameter					

<b>X</b>	<b>06</b>
Insulator Color	Plating Option
9 = UL White 8 = UL Black	06 = Tin all over



Thin Blade Removal Tool  
Part Number 06-9276-7001-01-000

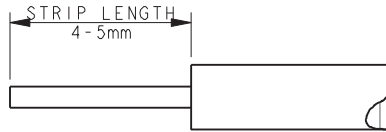
Certification: UL File #E90723

# Poke-Home: Horizontal 18-26 AWG: WTB

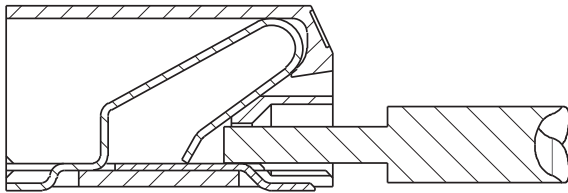
00-9276

## WIRE ASSEMBLY

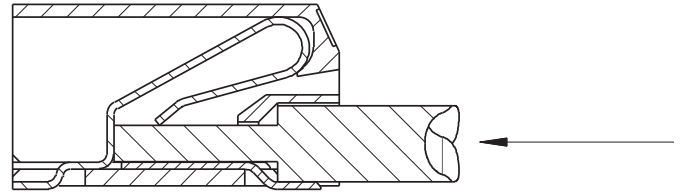
FOR FURTHER DETAILS REFER TO APPLICATION NOTES 201-01-127



TRIM INSULATION.  
DO NOT CRUSH CENTER OF WIRE.  
STRANDED WIRES TWISTED TOGETHER BEFORE INSERTION.  
CHECK ALL STANDS OF WIRE ARE CORRECTLY ALIGNED  
AFTER THE INSULATION IS REMOVED.

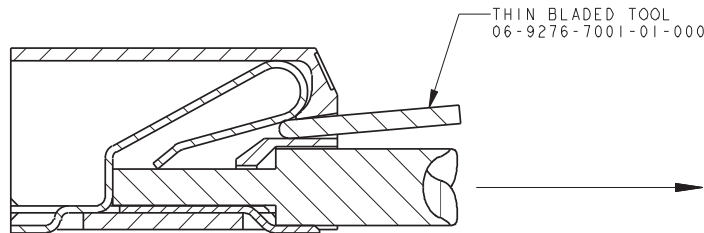


PUSH WIRE INTO HOLE IN FRONT OF CONNECTOR  
DO NOT BEND CONNECTOR



CONTINUED TO PUSH WIRE UNTIL STOP IS REACHED.

## WIRE EXTRACTION

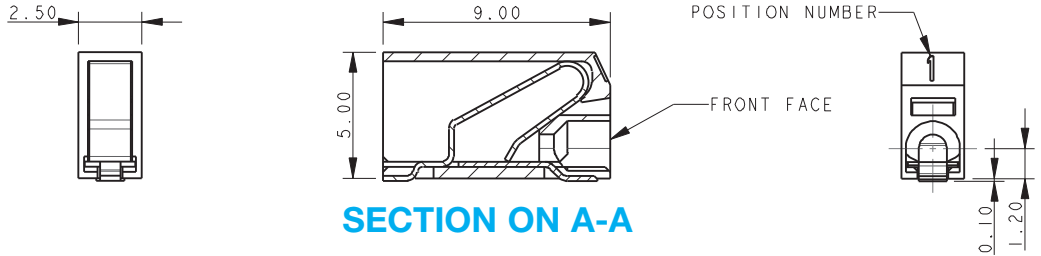


PUSH BLADE (NOT SHARP) INTO SLOT ABOVE WIRE.  
WHEN WIRE IS FREE, PULL TO EXTRACT.

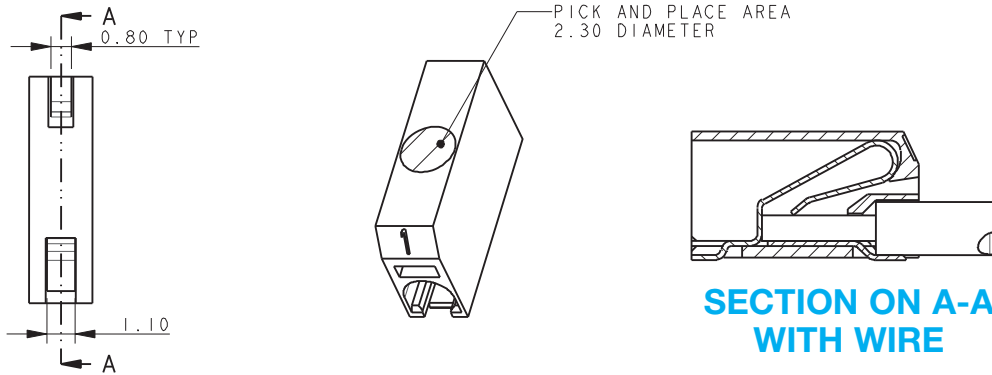
# Poke-Home: Horizontal 18-26 AWG: WTB

00-9276

## 1 WAY WIRE TO BOARD CONNECTOR



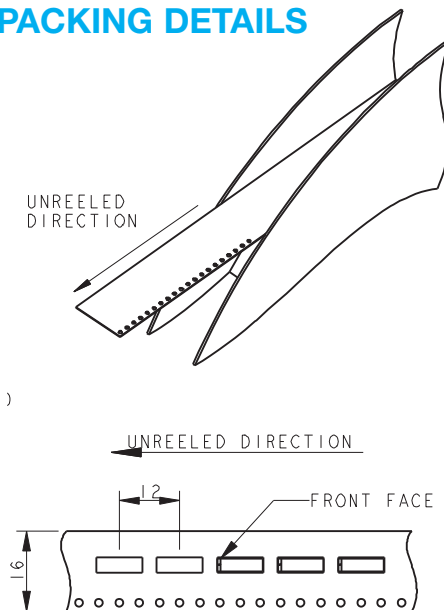
**SECTION ON A-A**



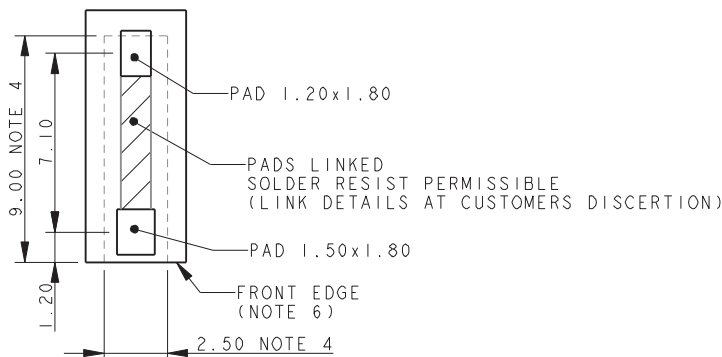
**NOTES:**

1. 9276 ONE WAY CONNECTOR, REFER TO ELCO SPECIFICATION 201-01-125 AND APPLICATION NOTES 201-01-127 FOR FURTHER DETAILS
2. INSULATOR MATERIAL: NYLON 46, GLASS FILLED, UL94 V-0, COLOR REFER TO PAGE 1.
3. CONTACT MATERIAL: COPPER ALLOY, 0.20MM THICK, TIN PLATED.
4. OUTLINE OF CONNECTOR.
5. WIRE ASSEMBLY / EXTRACTION, REFER TO PAGE 2.
6. FRONT FACE OF CONNECTOR CAN BE IN LINE WITH EDGE OF PCB.
7. PACKING TAPE AND REEL, QUANTITY 1000 PER REEL.

## PACKING DETAILS



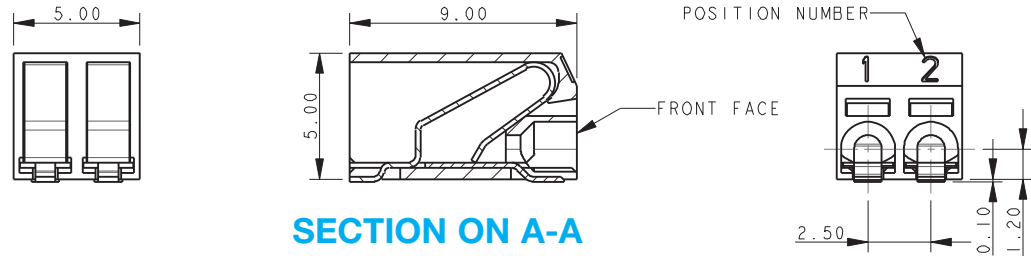
## 1 WAY PCB BOARD LAYOUT



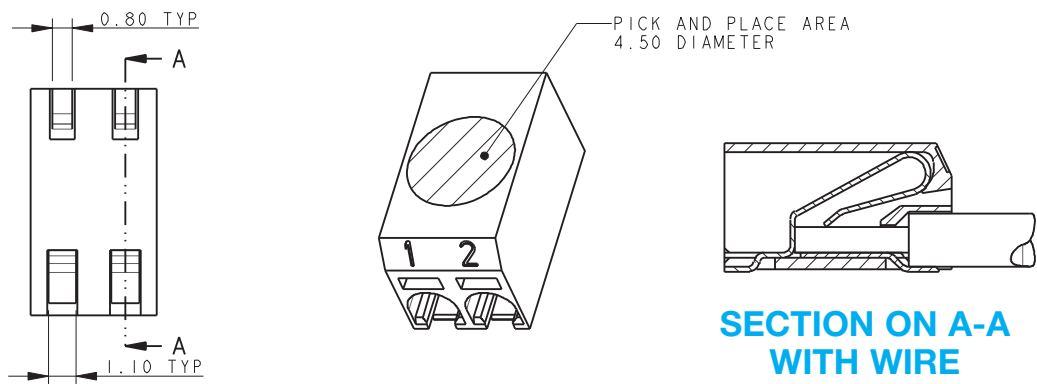
# Poke-Home: Horizontal 18-26 AWG: WTB

00-9276

## 2 WAY WIRE TO BOARD CONNECTOR



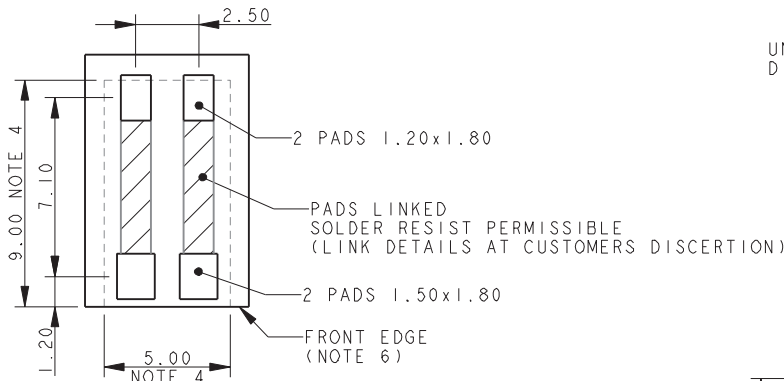
SECTION ON A-A



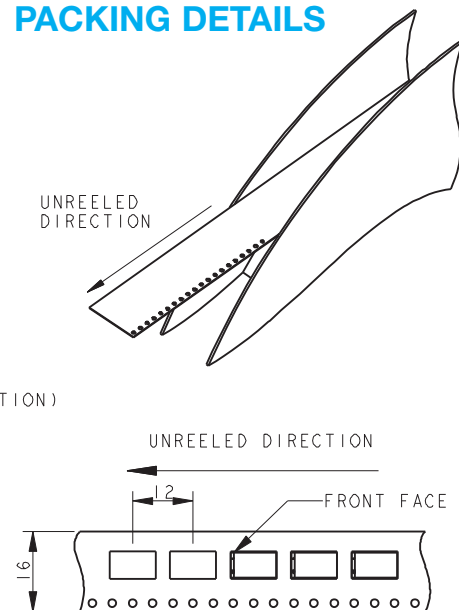
NOTES:

1. 9276 TWO WAY CONNECTOR, REFER TO ELCO SPECIFICATION 201-01-125 AND APPLICATION NOTES 201-01-127 FOR FURTHER DETAILS
2. INSULATOR MATERIAL: NYLON 46, GLASS FILLED, UL94 V-0, COLOR REFER TO PAGE 1.
3. CONTACT MATERIAL: COPPER ALLOY, 0.20MM THICK, TIN PLATED.
4. OUTLINE OF CONNECTOR.
5. WIRE ASSEMBLY / EXTRACTION, REFER TO PAGE 2.
6. FRONT FACE OF CONNECTOR CAN BE IN LINE WITH EDGE OF PCB.
7. PACKING TAPE AND REEL, QUANTITY 1000 PER REEL.

## 2 WAY PCB BOARD LAYOUT



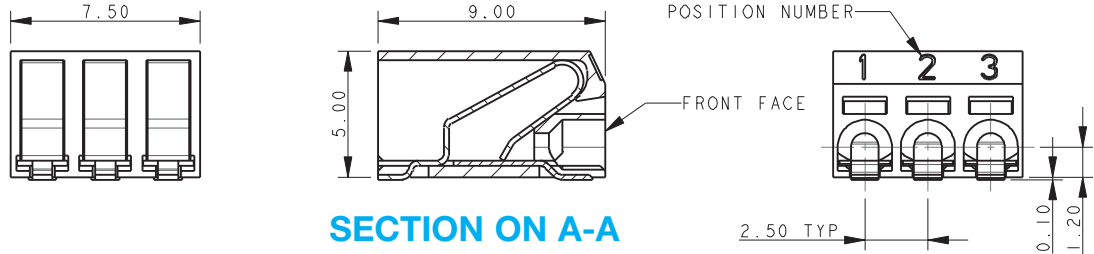
## PACKING DETAILS



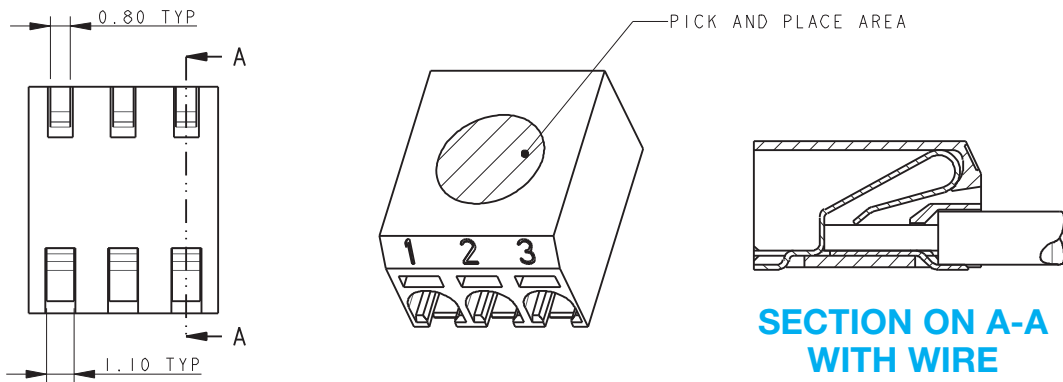
# Poke-Home: Horizontal 18-26 AWG: WTB

00-9276

## 3 WAY WIRE TO BOARD CONNECTOR



**SECTION ON A-A**

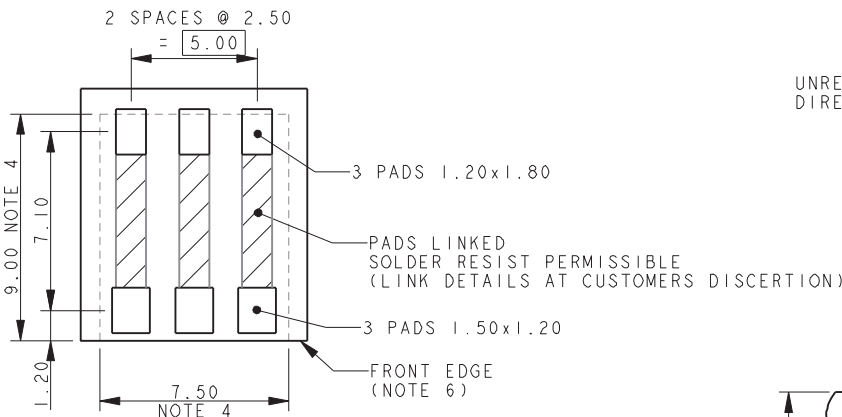


**SECTION ON A-A  
WITH WIRE**

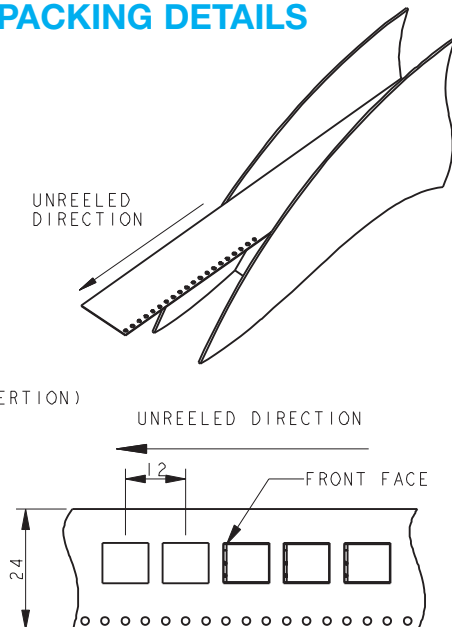
**NOTES:**

1. 9276 THREE WAY CONNECTOR, REFER TO ELCO SPECIFICATION 201-01-125 AND APPLICATION NOTES 201-01-127 FOR FURTHER DETAILS
2. INSULATOR MATERIAL: NYLON 46, GLASS FILLED, UL94 V-0, COLOR REFER TO PAGE 1.
3. CONTACT MATERIAL: COPPER ALLOY, 0.20MM THICK, TIN PLATED.
4. OUTLINE OF CONNECTOR.
5. WIRE ASSEMBLY / EXTRACTION, REFER TO PAGE 2.
6. FRONT FACE OF CONNECTOR CAN BE IN LINE WITH EDGE OF PCB.
7. PACKING TAPE AND REEL, QUANTITY 1000 PER REEL.

## 3 WAY PCB BOARD LAYOUT



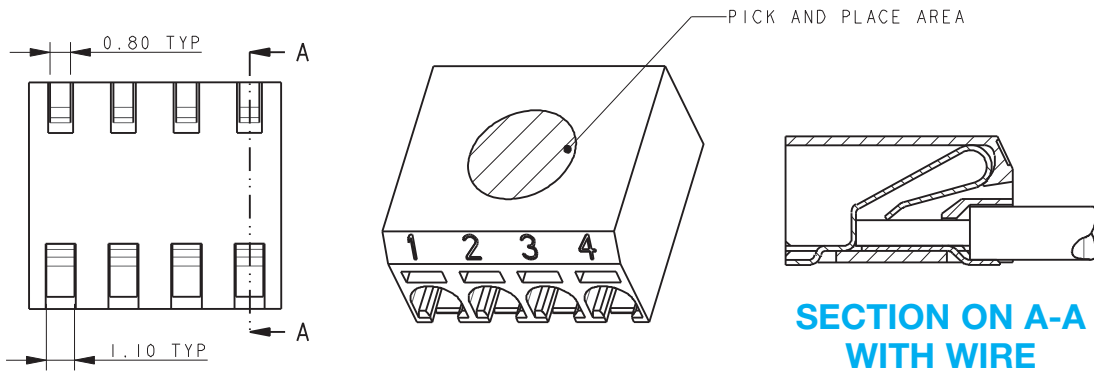
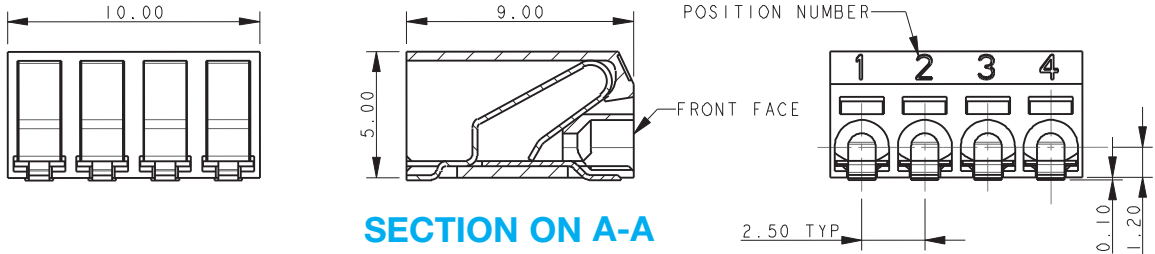
## PACKING DETAILS



# Poke-Home: Horizontal 18-26 AWG: WTB

00-9276

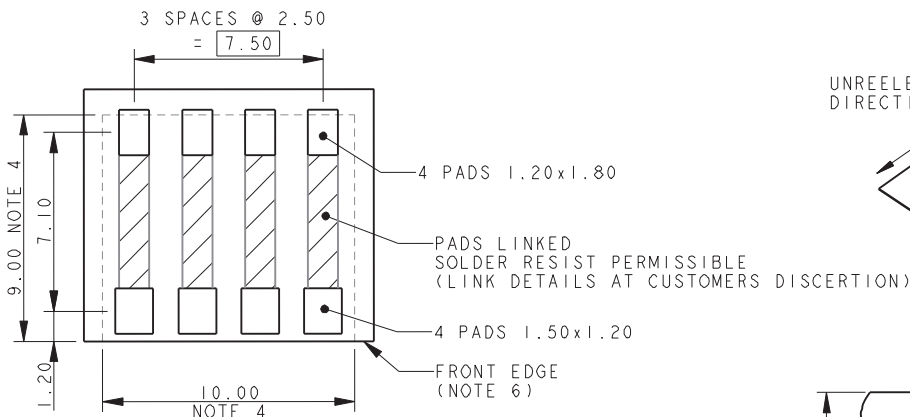
## 4 WAY WIRE TO BOARD CONNECTOR



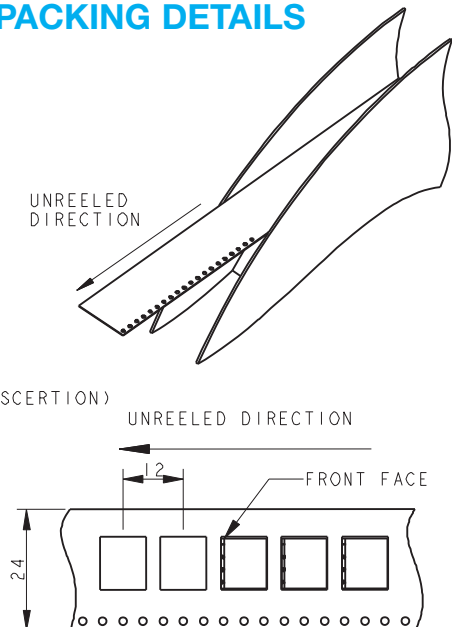
**NOTES:**

1. 9276 FOUR WAY CONNECTOR, REFER TO ELCO SPECIFICATION 201-01-125 AND APPLICATION NOTES 201-01-127 FOR FURTHER DETAILS
2. INSULATOR MATERIAL: NYLON 46, GLASS FILLED, UL94 V-0, COLOR REFER TO PAGE 1.
3. CONTACT MATERIAL: COPPER ALLOY, 0.20MM THICK, TIN PLATED.
4. OUTLINE OF CONNECTOR.
5. WIRE ASSEMBLY / EXTRACTION, REFER TO PAGE 2.
6. FRONT FACE OF CONNECTOR CAN BE IN LINE WITH EDGE OF PCB.
7. PACKING TAPE AND REEL, QUANTITY 1000 PER REEL.

## 4 WAY PCB BOARD LAYOUT



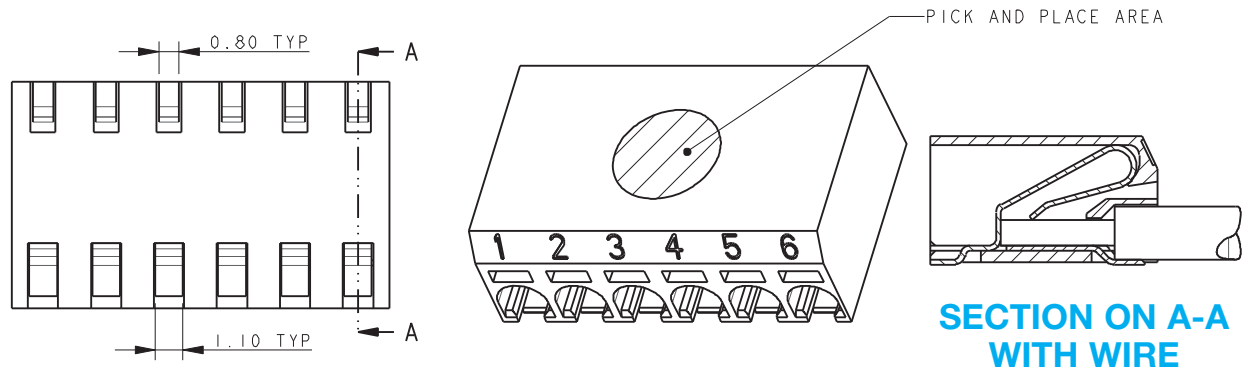
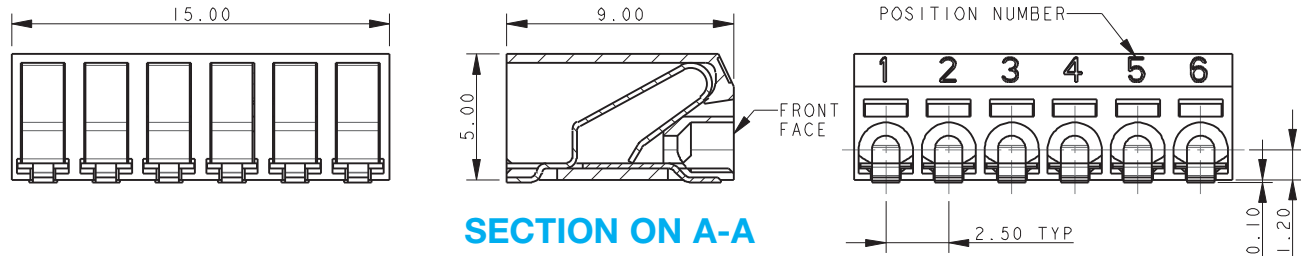
## PACKING DETAILS



# Poke-Home: Horizontal 18-26 AWG: WTB

00-9276

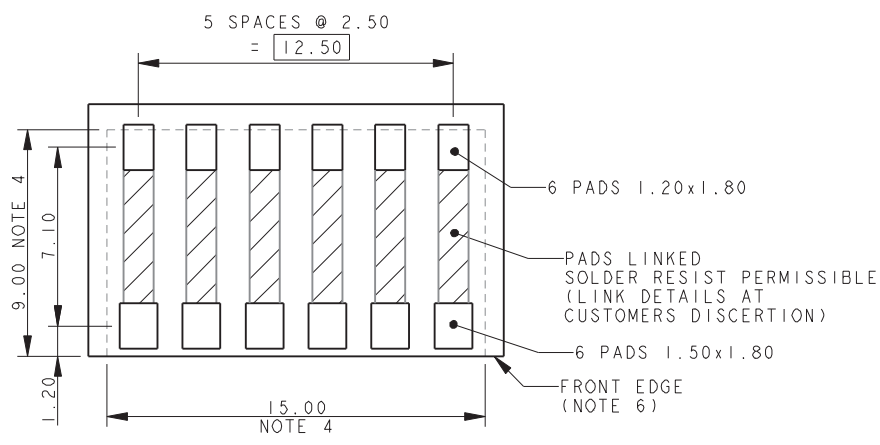
## 6 WAY WIRE TO BOARD CONNECTOR



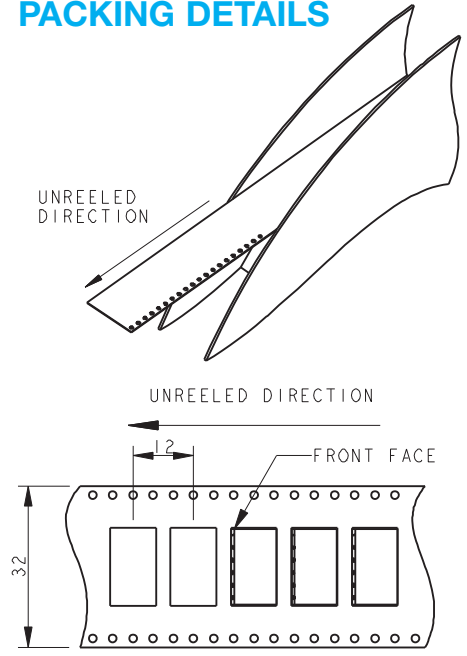
**NOTES:**

1. 9276 SIX WAY CONNECTOR, REFER TO ELCO SPECIFICATION 201-01-125 AND APPLICATION NOTES 201-01-127 FOR FURTHER DETAILS
2. INSULATOR MATERIAL: NYLON 46, GLASS FILLED, UL94 V-0, COLOR REFER TO PAGE 1.
3. CONTACT MATERIAL: COPPER ALLOY, 0.20MM THICK, TIN PLATED.
4. OUTLINE OF CONNECTOR.
5. WIRE ASSEMBLY / EXTRACTION, REFER TO PAGE 2.
6. FRONT FACE OF CONNECTOR CAN BE IN LINE WITH EDGE OF PCB.
7. PACKING TAPE AND REEL, QUANTITY 1000 PER REEL.

## 6 WAY PCB BOARD LAYOUT



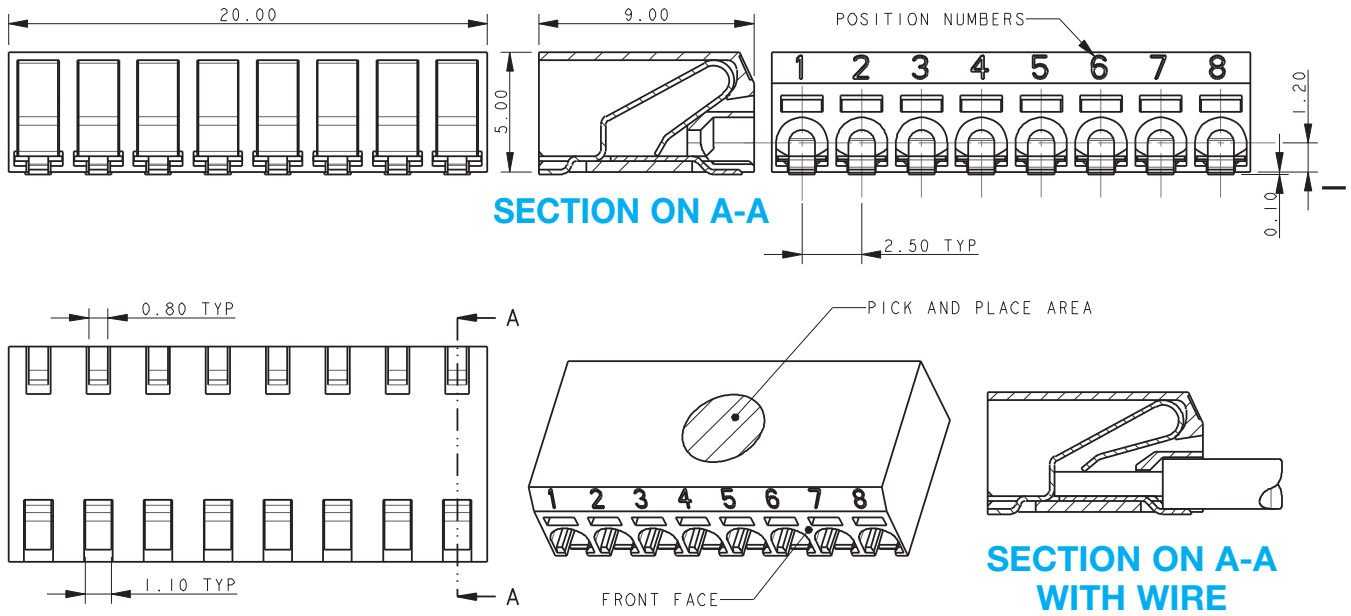
## PACKING DETAILS



# Poke-Home: Horizontal 18-26 AWG: WTB

00-9276

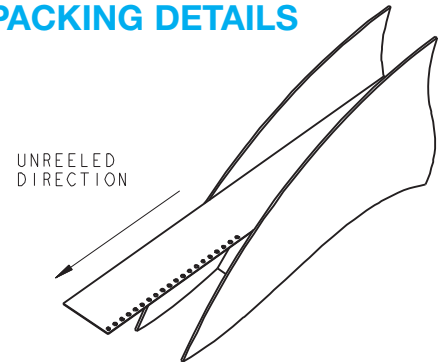
## 8 WAY WIRE TO BOARD CONNECTOR



**NOTES:**

1. 9276 EIGHT WAY CONNECTOR, REFER TO ELCO SPECIFICATION 201-01-125 AND APPLICATION NOTES 201-01-127 FOR FURTHER DETAILS
2. INSULATOR MATERIAL: NYLON 46, GLASS FILLED, UL94 V-0, COLOR REFER TO PAGE 1.
3. CONTACT MATERIAL: COPPER ALLOY, 0.20MM THICK, TIN PLATED.
4. OUTLINE OF CONNECTOR.
5. WIRE ASSEMBLY / EXTRACTION, REFER TO PAGE 2.
6. FRONT FACE OF CONNECTOR CAN BE IN LINE WITH EDGE OF PCB.
7. PACKING TAPE AND REEL, QUANTITY 1000 PER REEL.

## PACKING DETAILS



## 8 WAY PCB BOARD LAYOUT

