

**PLEASE CHECK WWW.MOLEX.COM FOR LATEST PART INFORMATION**

**Part Number:** [0702463404](#)  
**Status:** **Active**  
**Overview:** C-Grid Connector Products  
**Description:** 2.54mm Pitch C-Grid Header, Low Profile, Dual Row, Vertical, Shrouded, 34 Circuits, 0.127µm Gold (Au) Plating, Tin(Sn) PC Tail Plating

**Documents:**

[3D Model](#) [Packaging Specification PK-87835-001 \(PDF\)](#)  
[Drawing \(PDF\)](#) [RoHS Certificate of Compliance \(PDF\)](#)  
[Product Specification PS-70246-100-001 \(PDF\)](#)

**Agency Certification**

CSA LR19980  
 UL E29179

**General**

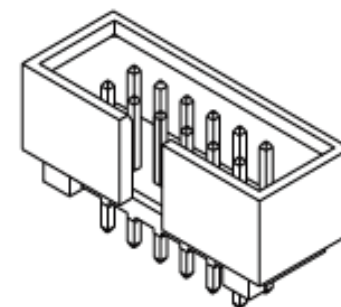
Product Family PCB Headers  
 Series [70246](#)  
 Application Signal, Wire-to-Board  
 Overview [C-Grid Connector Products](#)  
 Product Name C-Grid  
 UPC 822348757374

**Physical**

Breakaway No  
 Circuits (Loaded) 34  
 Circuits (maximum) 34  
 First Mate / Last Break No  
 Flammability 94V-0  
 Glow-Wire Capable No  
 Guide to Mating Part No  
 Keying to Mating Part None  
 Lock to Mating Part None  
 Material - Plating Mating Gold  
 Material - Plating Termination Tin  
 Net Weight 3.895/g  
 Number of Rows 2  
 Orientation Vertical  
 PC Tail Length 3.43mm  
 PCB Locator No  
 PCB Retention None  
 PCB Thickness - Recommended 1.60mm  
 Packaging Type Tray  
 Pitch - Mating Interface 2.54mm  
 Pitch - Termination Interface 2.54mm  
 Plating min - Mating 0.127µm  
 Plating min - Termination 1.905µm  
 Polarized to Mating Part Yes  
 Polarized to PCB No  
 Shrouded Closed Ends  
 Stackable No  
 Surface Mount Compatible (SMC) No  
 Temperature Range - Operating -55° to +120°C  
 Termination Interface: Style Through Hole

**Electrical**

Current - Maximum per Contact 2.5A



Series image - Reference only

**EU ELV**

**Not Relevant**

**EU RoHS**

**Compliant**

**REACH SVHC**

Not Contained Per -  
 ED/61/2018 (27 June  
 2018)

**Halogen-Free**

**Status**

**Not Low-Halogen**

For more information, please visit [Contact US](#)

China ROHS

ELV

RoHS Phthalates

**China RoHS**

Green Image

Not Relevant

Not Contained

**Search Parts in this Series**

[70246 Series](#)

**Mates With**

[70450](#) SL Crimp Housing, [70058](#) SL Crimp Terminal

Voltage - Maximum 250V DC

**Solder Process Data**

Duration at Max. Process Temperature (seconds) 010  
Lead-free Process Capability WAVE  
Max. Cycles at Max. Process Temperature 001  
Process Temperature max. C 235

**Material Info**

**Reference - Drawing Numbers**

Packaging Specification PK-87835-001  
Product Specification PS-70246-100-001  
Sales Drawing SDA-70246-\*\*20-25\_39

This document was generated on 10/01/2018

**PLEASE CHECK [WWW.MOLEX.COM](http://WWW.MOLEX.COM) FOR LATEST PART INFORMATION**