



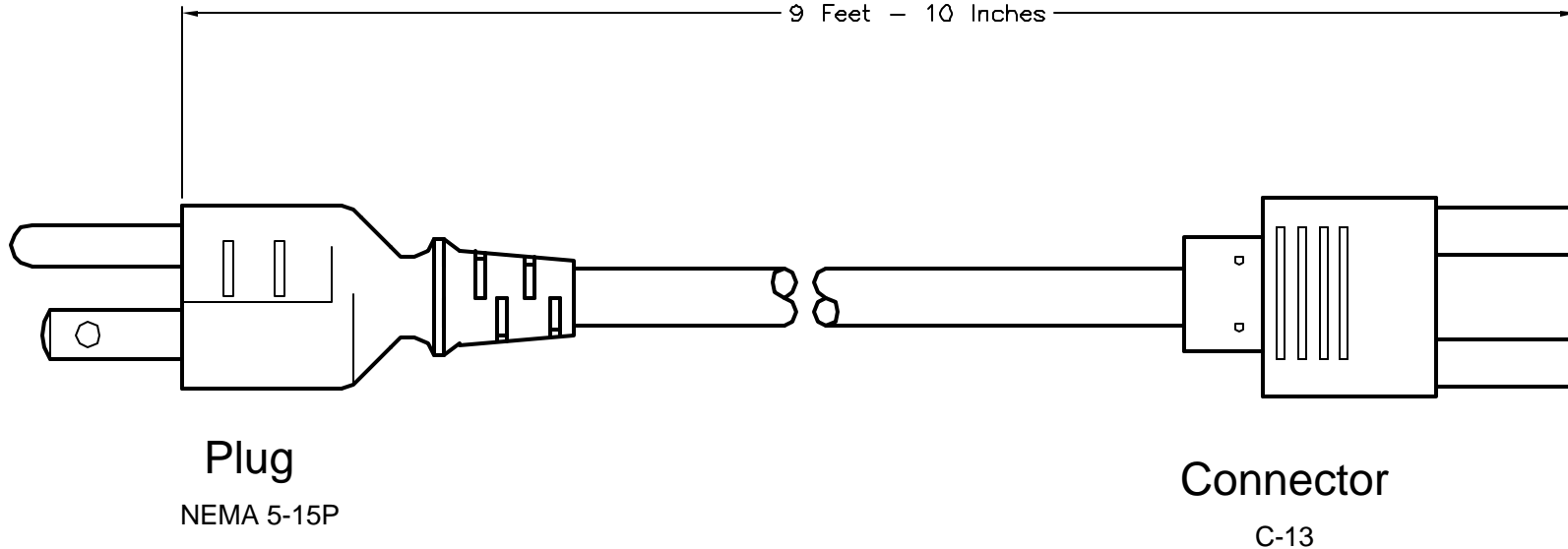
ALL RIGHTS RESERVED. NO PORTION OF THIS PUBLICATION, WHETHER IN WHOLE OR IN PART CAN BE REPRODUCED WITHOUT THE EXPRESS WRITTEN CONSENT OF SPC TECHNOLOGY.

SPC-F008.DWG

REVISIONS

DOC. NO. SPC-F005 * Effective: 7/8/02 * DCP No: 1398

DCP #	REV	DESCRIPTION	DRAWN	DATE	CHECKD	DATE	APPRVD	DATE
1931		Released	DCM	3/28/07	JN	07/14/08	JN	07/14/08



Plug
NEMA 5-15P

Connector
C-13

- Notes:**
- Cordage: SJT, 18AWG/ 3C, Unshielded
CEE color code, Temp. Rating 60°C,
Rating 125V 10A, Jacket color: Black
 - Plug: Nema 5-15P
 - Connector: IEC 60320 C13
 - Approvals: UL,cUL

DISCLAIMER:
ALL STATEMENTS AND TECHNICAL INFORMATION CONTAINED HEREIN ARE BASED UPON INFORMATION AND/OR TESTS WE BELIEVE TO BE ACCURATE AND RELIABLE. SINCE CONDITIONS OF USE ARE BEYOND OUR CONTROL, THE USER SHALL DETERMINE THE SUITABILITY OF THE PRODUCT FOR THE INTENDED USE AND ASSUME ALL RISK AND LIABILITY WHATSOEVER IN CONNECTION THEREWITH.

TOLERANCES:
UNLESS OTHERWISE SPECIFIED, DIMENSIONS ARE FOR REFERENCE PURPOSES ONLY.

DRAWN BY:	DATE:
Dan McVicker	7/13/07
CHECKED BY:	DATE:
Jason Nash	07/14/08
APPROVED BY:	DATE:
Jason Nash	07/14/08

DRAWING TITLE: Power Cards			
SIZE A	DWG. NO. SPC13288	ELECTRONIC FILE 11J3563.dwg	REV A
SCALE: NTS	U.O.M.: Inches	SHEET: 1 OF 1	