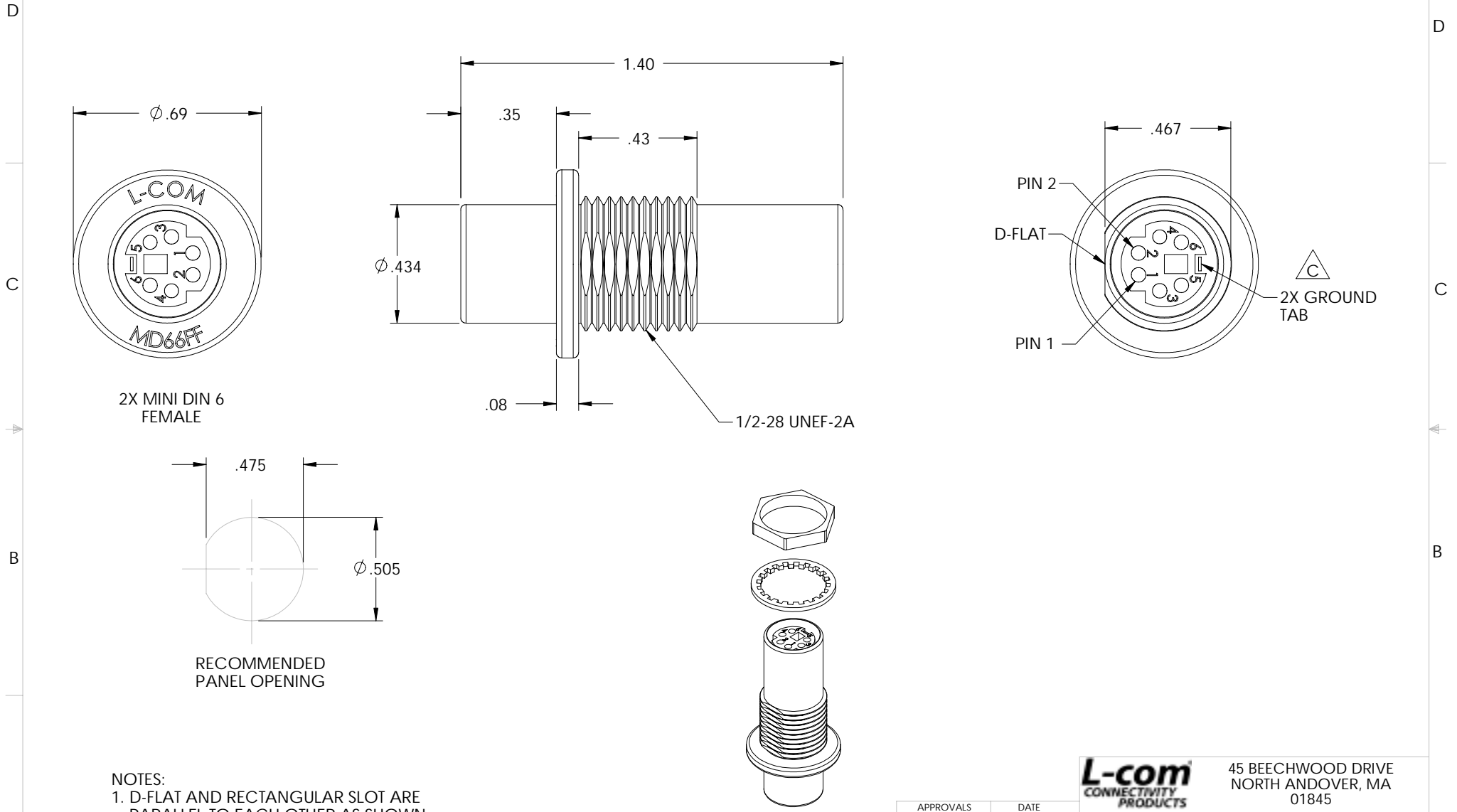


THE INFORMATION CONTAINED IN THIS DRAWING IS THE SOLE PROPERTY OF L-COM, INC. ANY REPRODUCTION IN PART OR WHOLE WITHOUT THE WRITTEN PERMISSION OF L-COM, INC. IS PROHIBITED.

| REVISIONS |                                     |          |            |
|-----------|-------------------------------------|----------|------------|
| REV       | DESCRIPTION                         | DATE     | APPROVED   |
| .         | RELEASED TO PRODUCTION              | 6/7/00   | R.CARRICK  |
| .         | ROTATED LOGO ON CONNECTOR ECN #0769 | 11/01/00 | R.CARRICK  |
| C         | ADDED GROUND TABS. SEE ECN # 1030   | 11/15/01 | R. CARRICK |



- NOTES:
1. D-FLAT AND RECTANGULAR SLOT ARE PARALLEL TO EACH OTHER AS SHOWN IN RIGHT SIDE VIEW.
  2. PINS ARE WIRED STRAIGHT THROUGH.
  3. FINISH: NICKEL PLATED BRIGHT.
  4. INTERNAL TOOTH LOCK WASHER AND HEX NUT INCLUDED.

UNLESS OTHERWISE SPECIFIED, DIMENSIONS ARE IN INCHES. TOLERANCES ARE:  
 .X  $\pm .1$   
 .XX  $\pm .05$   
 .XXX  $\pm .005$   
 CABLE LENGTH TOLERANCE  
 <300"  $\pm 5\%$  >300"  $\pm 2\%$

| APPROVALS                  | DATE     |
|----------------------------|----------|
| DRAWN BY<br>RON CARRICK    | 5/31/00  |
| CHECKED BY<br>DFP          | 6/6/2000 |
| APPROVED BY<br>RON CARRICK | 6/7/2000 |

**L-com**  
CONNECTIVITY PRODUCTS  
 45 BEECHWOOD DRIVE  
 NORTH ANDOVER, MA  
 01845

PRODUCT DESCRIPTION  
**MINI DIN ADAPTORS**

DRAWING TITLE  
**OUTLINE DRAWING**

|                  |                          |                               |                  |
|------------------|--------------------------|-------------------------------|------------------|
| SIZE<br><b>A</b> | FSCM NO.<br><b>43321</b> | DWG. NO.<br><b>MD66FF-OD1</b> | REV.<br><b>C</b> |
| SCALE: 1:1       |                          | CAD FILE: MD66FF-OD1.SLDDRW   | SHEET 1 OF 1     |

CONFIGURATION DETAILS OF UNDIMENSIONED FEATURES MAY VARY