

Würth Elektronik eiSos GmbH & Co. KG

EMC & Inductive Solutions

Max-Eyth-Straße 1 · 74638 Waldenburg · Germany

Tel. +49 (0) 79 42 945-0 · Fax +49 (0) 79 42 945-400

eiSos@we-online.de · www.we-online.de



Product / Process Change Notification (PCN)

- Major change
 Minor change

PCN #: PCN_WE-RCIT_20210621
Affected Series: WE-RCIT-Series 78471XXXX

PCN Date: March 24, 2021
Effective Date: June 21, 2021

Change Category:

- Equipment / Location
 General Data
 Material
 Process
 Product Design
 Shipping / Packaging
 Supplier
 Software

Contact: Product Management
Phone: +49 (0) 7942 - 945 5001
Fax: +49 (0) 7942 - 945 5179
E-Mail: pcn.eisos@we-online.com

Data Sheet Change:

- Yes No

Attachment:

- Yes No

DESCRIPTION AND PURPOSE OF CHANGE:

Due to internal standardisation, Würth Elektronik will change the packaging from bulk to plastic tray packaging for the parts 7847121100 and 7847131100.

For the purpose of a datasheet information enlargement, Würth Elektronik will update and add information to the datasheets of the complete WE-RCIT-Series.

All products with date code 2021-06-21 or later, will be affected by this change.

There will be no change in form, fit, function, quality or reliability of the product.

DETAIL OF CHANGE:

1. PACKAGING CHANGE 7847121100 AND 7847131100

To satisfy our internal quality requirements Würth Elektronik will replace the bulk packaging by the plastic tray packaging for the parts 7847121100 and 7847131100.

Würth Elektronik eiSos GmbH & Co. KG

EMC & Inductive Solutions

Max-Eyth-Straße 1 · 74638 Waldenburg · Germany

Tel. +49 (0) 79 42 945-0 · Fax +49 (0) 79 42 945-400

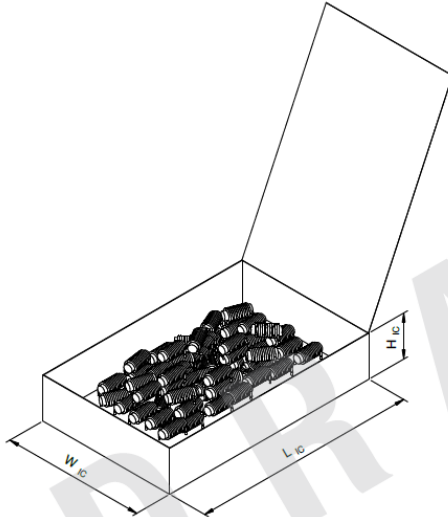
eiSos@we-online.de · www.we-online.de



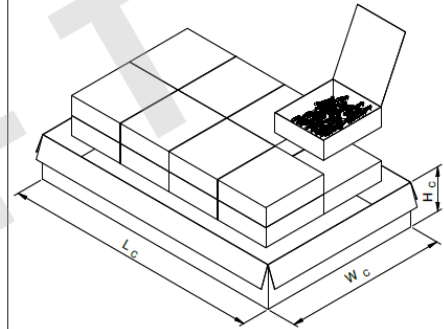
Before the change:

7847121100:

400pcs/box



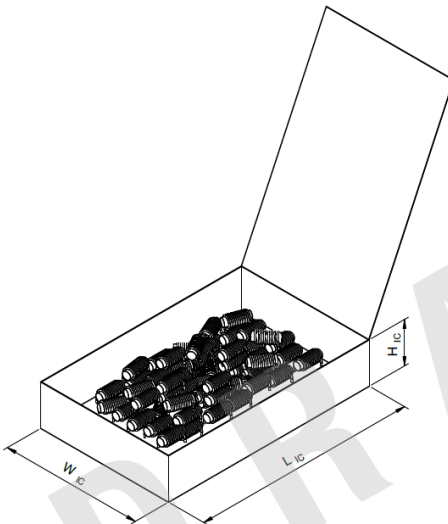
L _c (mm)	W _c (mm)	H _c (mm)	Qty. (pcs.)	Material
150,00	125,00	45,00	400	Paper



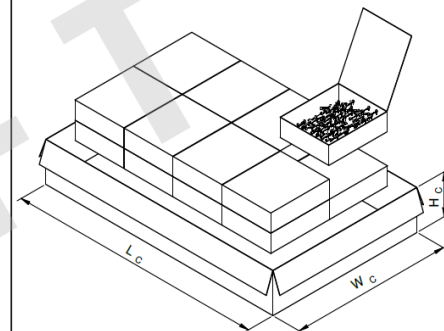
L _c (mm)	W _c (mm)	H _c (mm)	No. of Inner Carton (pcs.)	Qty. (pcs.)	Material
584,00	370,00	100,00	16	6400	Paper

7847131100:

200pcs/box



L _c (mm)	W _c (mm)	H _c (mm)	Qty. (pcs.)	Material
150,00	125,00	45,00	200	Paper



L _c (mm)	W _c (mm)	H _c (mm)	No. of Inner Carton (pcs.)	Qty. (pcs.)	Material
584,00	370,00	100,00	16	3200	Paper

Würth Elektronik eiSos GmbH & Co. KG

EMC & Inductive Solutions

Max-Eyth-Straße 1 · 74638 Waldenburg · Germany

Tel. +49 (0) 79 42 945-0 · Fax +49 (0) 79 42 945-400

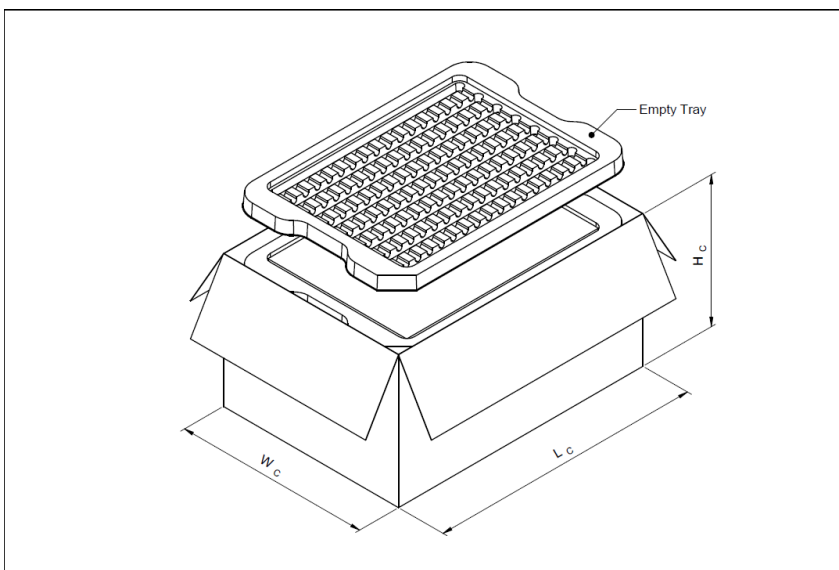
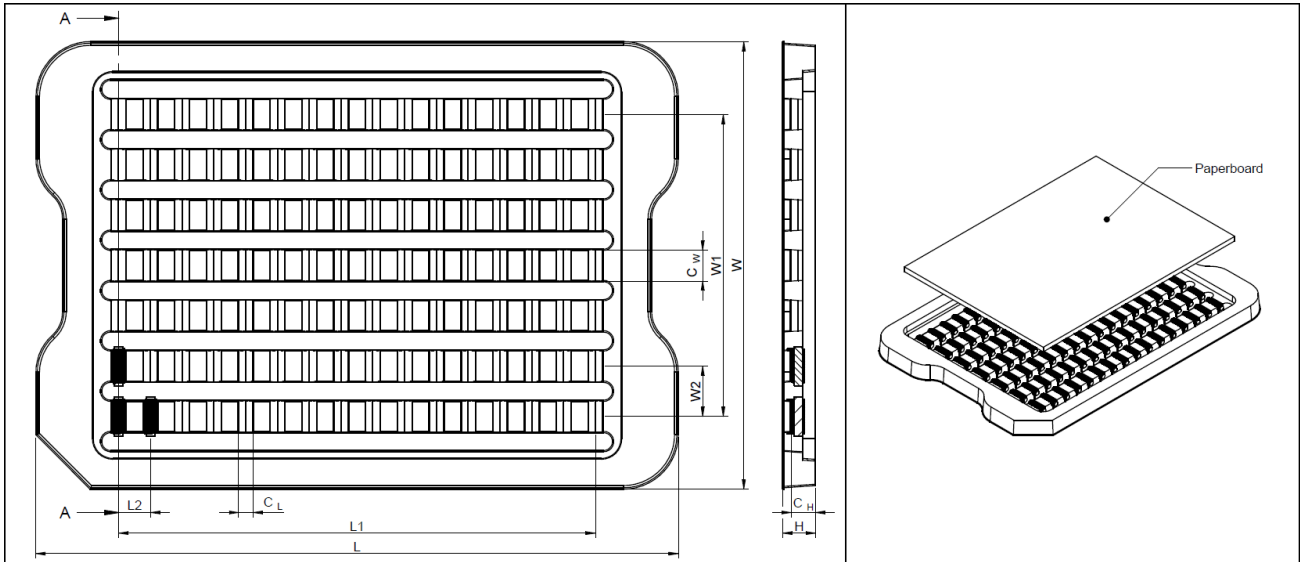
eiSos@we-online.de · www.we-online.de



After the change:

7847121100:

112pcs/layer, 10 full trays in a carton → 1120pcs/carton



Würth Elektronik eiSos GmbH & Co. KG

EMC & Inductive Solutions

Max-Eyth-Straße 1 · 74638 Waldenburg · Germany

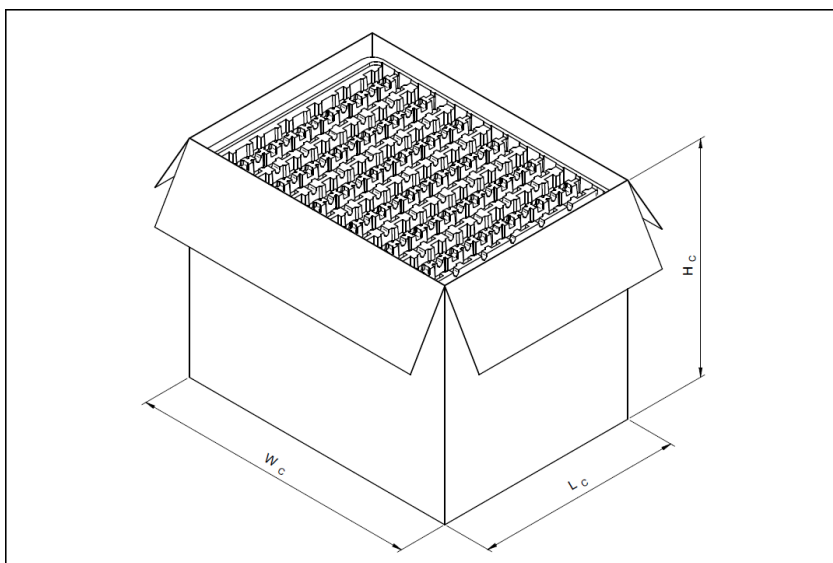
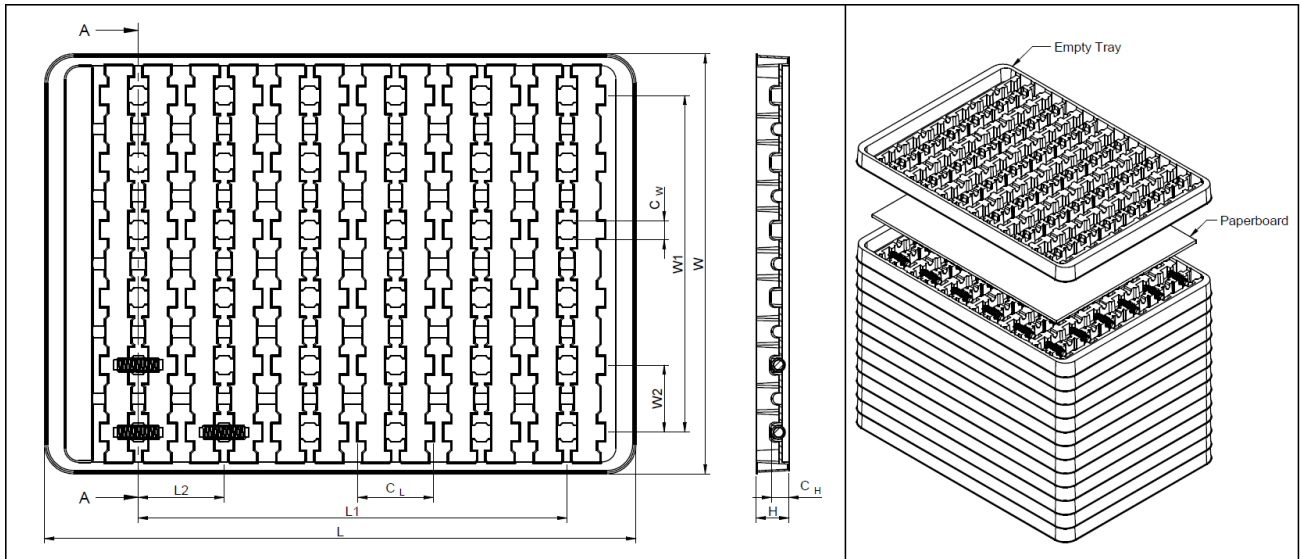
Tel. +49 (0) 79 42 945-0 · Fax +49 (0) 79 42 945-400

eiSos@we-online.de · www.we-online.de



7847131100:

36pcs/layer, 13 full trays in a carton → 468pcs/carton



2. DATASHEET CHANGES

There will be no change in form, fit, function, quality or reliability of the product.

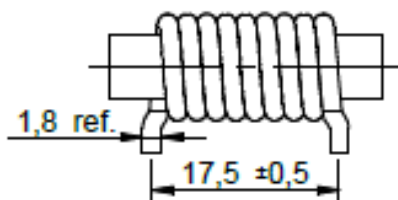
Only datasheet values will be updated due to new and improved measurements.

(Article 7847131020 is used as example for the whole series here)

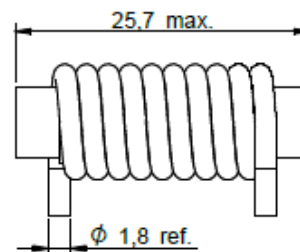
2.1 Update of the drawings

Before this change every component drawing was missing one turn. Every drawing was renewed and now shows the correct number of turns. There is no change of the product.

Before:



After:



2.2 Updated the Self Resonant Frequency

Updated the values due to improved measurements. There is no change of the product.

Article	Self Resonant Frequency (typ.)
7847110020	290 MHz
7847120060	140 MHz
7847111100	90 MHz
7847111020	180 MHz
7847121060	95 MHz
7847121100	80 MHz
7847121020	150 MHz
7847131060	80 MHz
7847131100	50 MHz
7847131020	110 MHz
7847132060	55 MHz
7847132100	40 MHz

Würth Elektronik eiSos GmbH & Co. KG

EMC & Inductive Solutions

Max-Eyth-Straße 1 · 74638 Waldenburg · Germany

Tel. +49 (0) 79 42 945-0 · Fax +49 (0) 79 42 945-400

eiSos@we-online.de · www.we-online.de



2.3 Updated the parameter Saturation Current (ISAT $|\Delta L/L| < 10\%$)

Article	Saturation Current (typ.)
7847110020	5 A
7847120060	6.5 A
7847111100	7 A
7847111020	18 A
7847121060	15 A
7847121100	11.5 A
7847121020	32 A
7847131060	19 A
7847131100	13 A
7847131020	34 A
7847132060	45 A
7847132100	56 A

2.4 Added certifications

Certification:

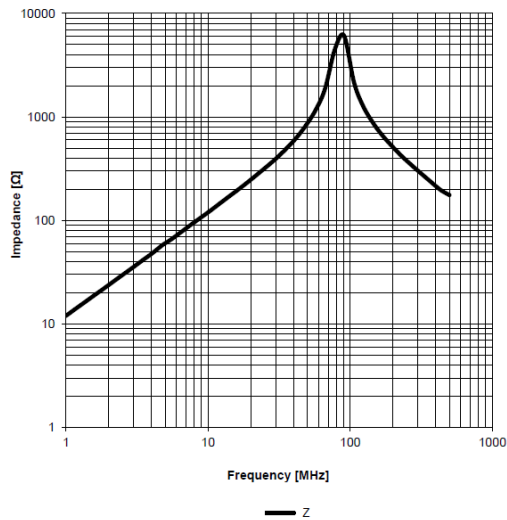
RoHS Approval	Compliant [2011/65/EU&2015/863]
REACH Approval	Conform or declared [(EC)1907/2006]
Halogen Free	Conform [JEDEC JS709B]
Halogen Free	Conform [IEC 61249-2-21]
Component Qualification	AEC-Q200 Grade 1
Automotive Approval	Released



2.5 Updated the “Typical Impedance Characteristics” graph

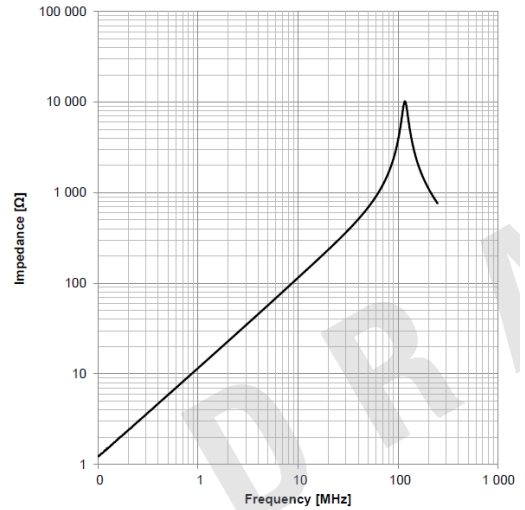
Before:

Typical Impedance Characteristics:



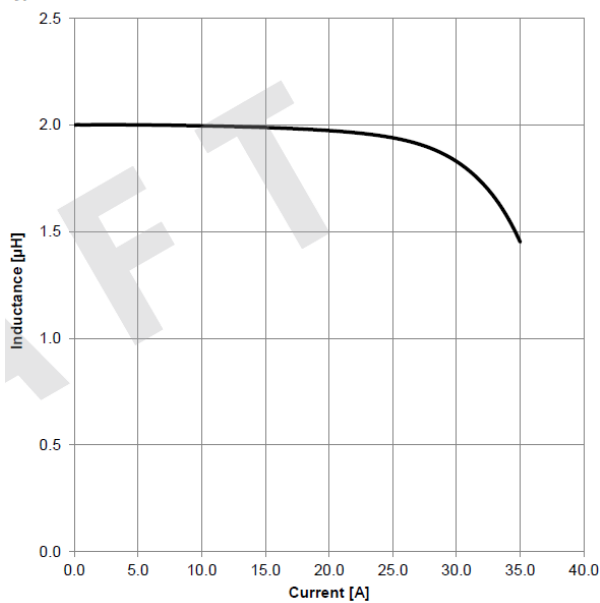
After:

Typical Impedance Characteristics:



2.6 Updated “Typical Inductance vs. Current Characteristics” graph

Typical Inductance vs. Current Characteristics:



Würth Elektronik eiSos GmbH & Co. KG

EMC & Inductive Solutions

Max-Eyth-Straße 1 · 74638 Waldenburg · Germany

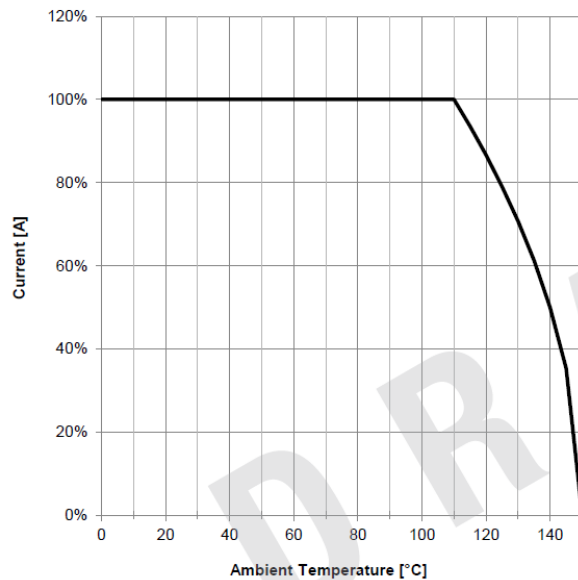
Tel. +49 (0) 79 42 945-0 · Fax +49 (0) 79 42 945-400

eiSos@we-online.de · www.we-online.de



2.7 Added derating graph

Derating Curve:



2.8 Updated “Cautions and Warnings”

RELIABILITY / QUALIFICATION SUMMARY:

Product approval is according to the specification and is internally released by the Product Management Department.