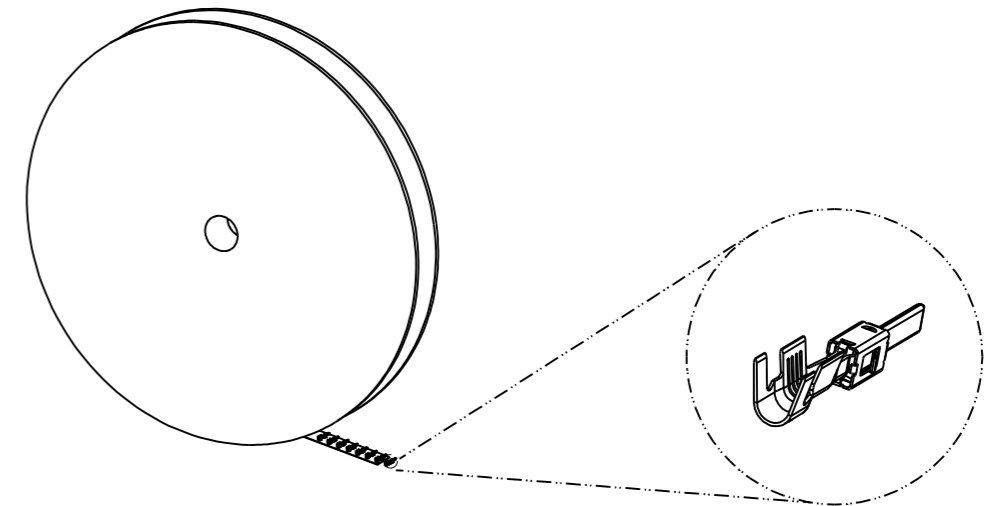
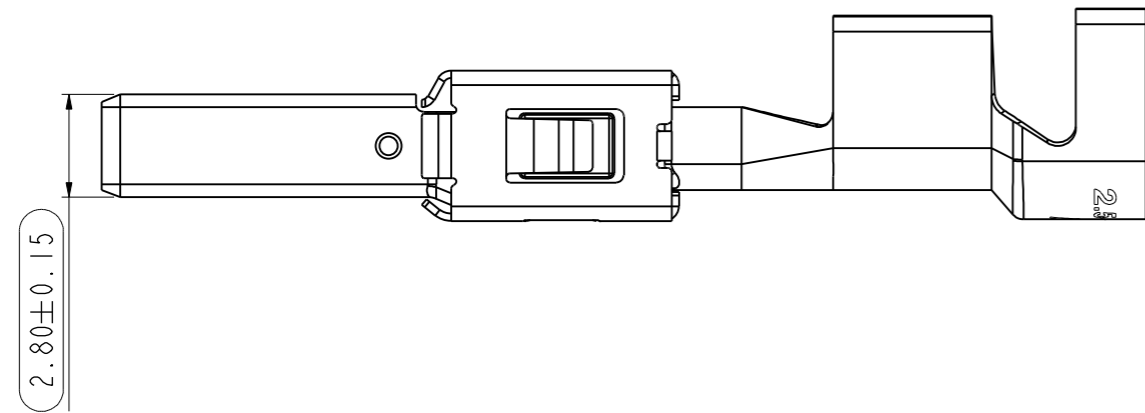
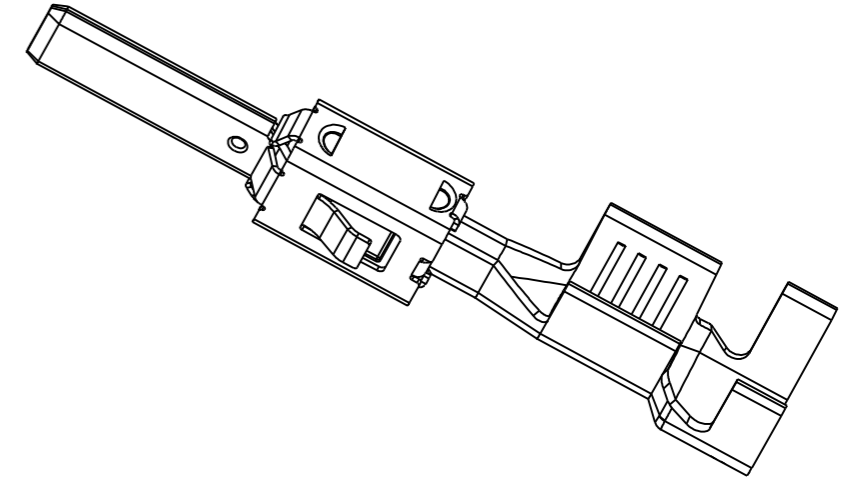
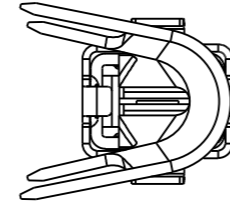
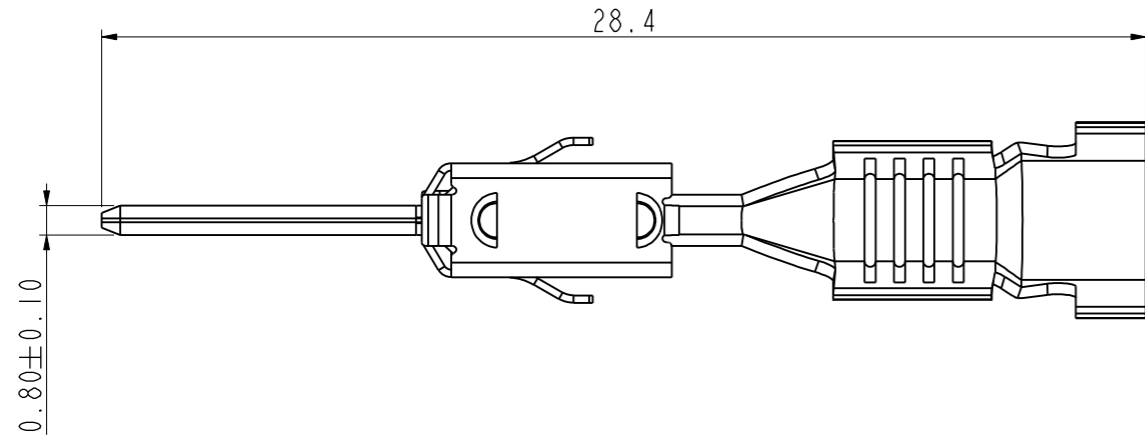


REV	ECN	DESCRIPTION	DATE	MODIFIED
B		UPDATE	2018.06.18	ROY.QU

Amphenol PCDSZ  
ORIGINAL  
PDF Format  
R&D



**TECHNICAL FEATURES**

- MATERIAL:**  
CONTACT: COPPER ALLOY  
TOP SPRING: STAINLESS
- CONTACT FINISH:** TIN PLATED
- WIRE SIZE RANGE:** 2.5~4.0 MM<sup>2</sup>
- CURRENT CARRYING CAPACITY:**  
UP TO 40 AMPERE (AT 20° C AMBIENT TEMPERATURE)
- MATING FORCE:** 8N MAX
- CONTACT RESISTANCE:** NEW STATE < 2mΩ
- TAPE REEL PACKING**

<b>DIMENSIONS</b> ANSI Y14.5M UNITS: MM Pro/E FILE	<b>TOLERANCES</b> .X ±0.1 .XX ±0.01 ANGLES ±0.5°	<b>PROJECTION</b> 	<b>TITLE</b> Amphenol Pcd Shenzhen 2.8MM MALE PIN	
			ENGR ROY.QU      2018.06.18	SIZE <b>A3</b>
ORIGINAL	THIS DOCUMENT CONTAINS PROPRIETARY INFORMATION WHICH IS THE CONFIDENTIAL PROPERTY OF AMPHENOL PCD SHENZHEN		CHKD <i>Derek</i>	DWG NO. C-C3100036115
			APPD <i>[Signature]</i>	REV <b>B</b>
		CODE: 58982	SCALE: 2:1	SHEET 1 OF 1